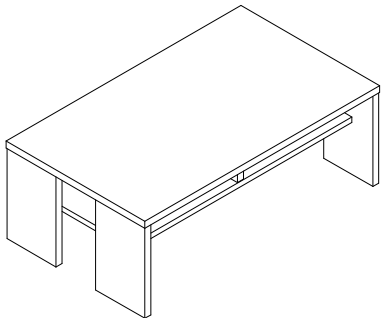
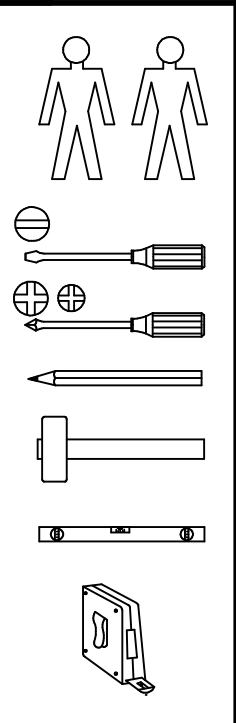
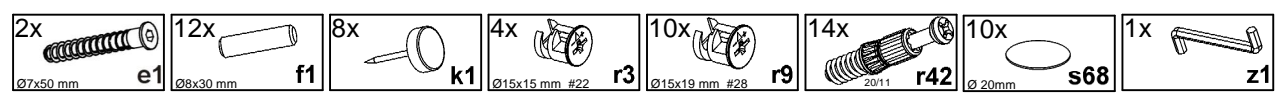
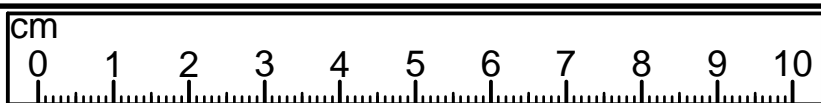
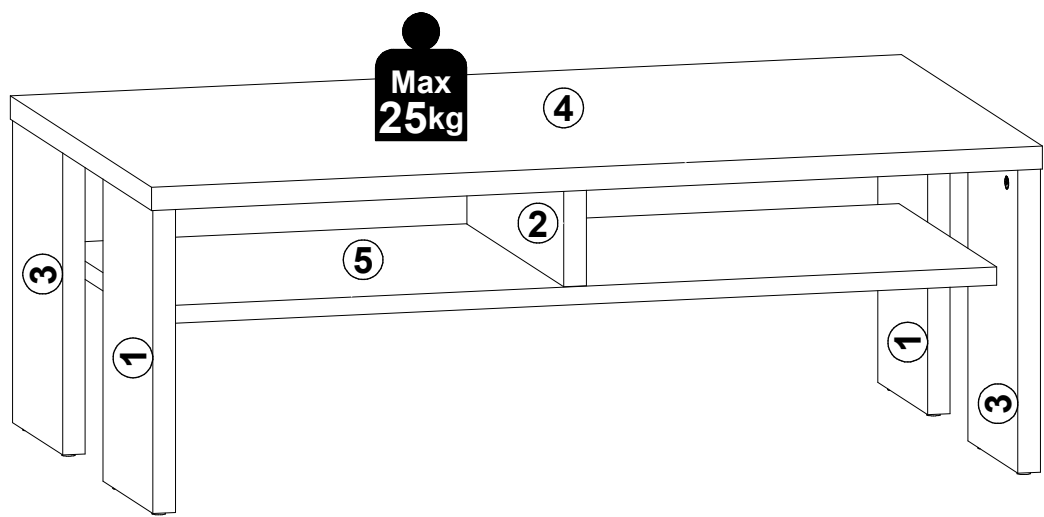


A**S507-LAW/4/11****20H9--02**

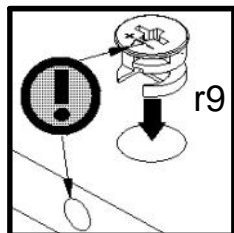
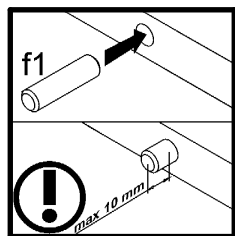
2 / 6



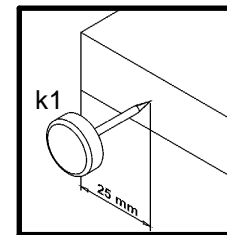
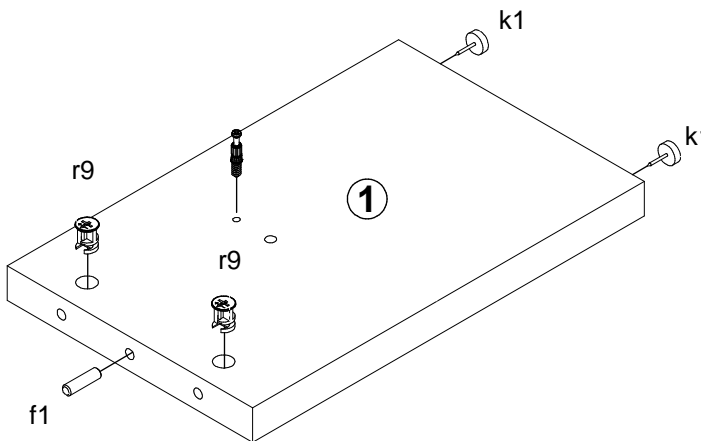
A	B	C1	C2	C3	D
1	S507-1022	367	230	28	1/1
2	S507-1023	134	446	28	1/1
3	S507-1024	367	230	28	1/1
4	S507-2016	1100	650	28	1/1
5	S507-3018	1040	450	22	1/1



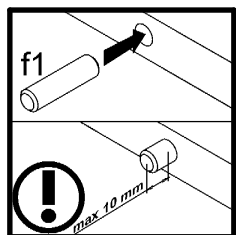
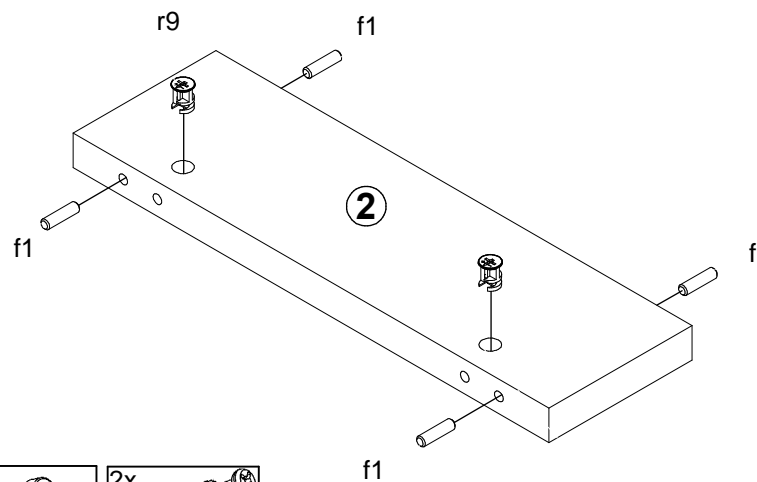
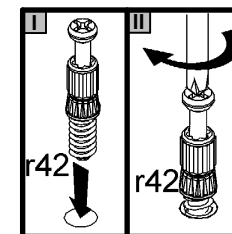
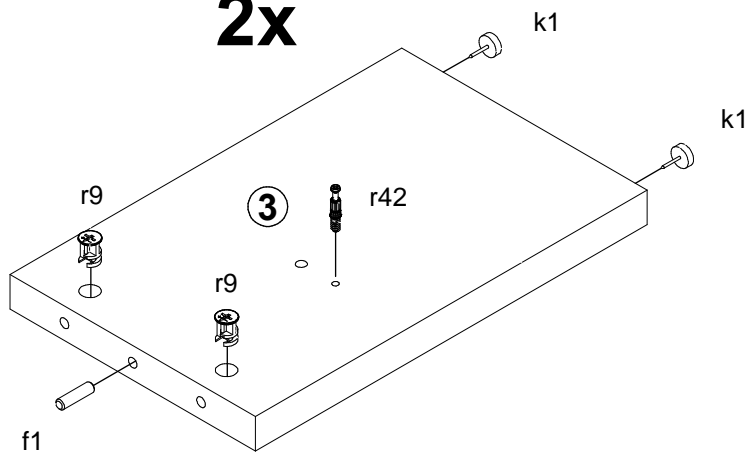
1







2x

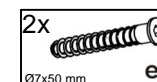
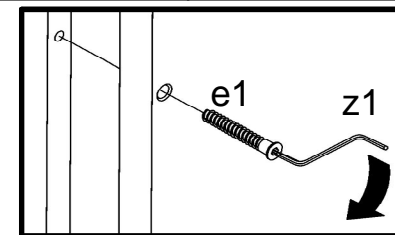
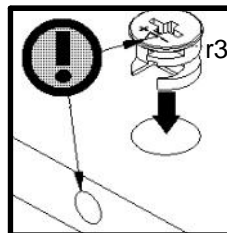
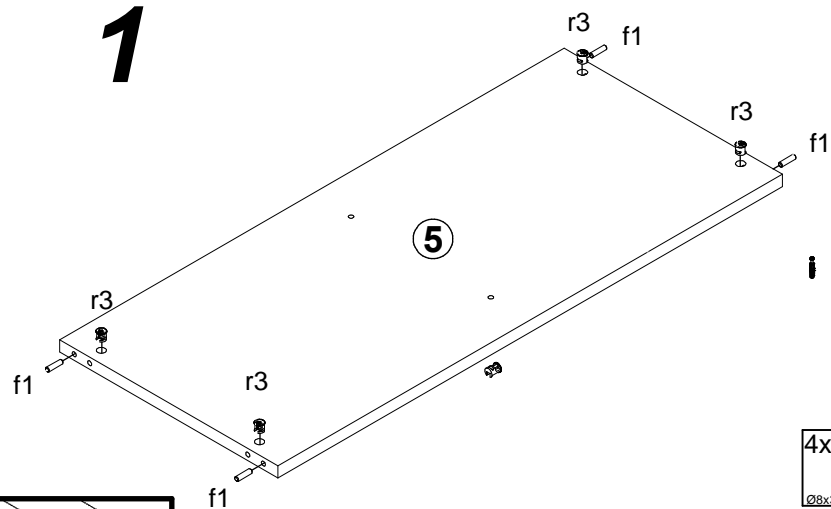


2x

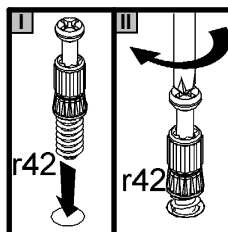
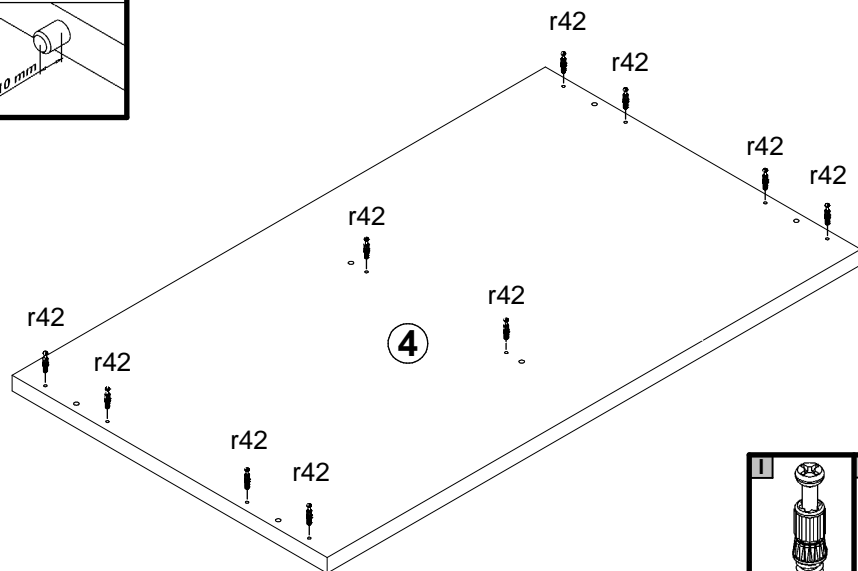
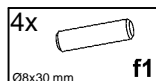
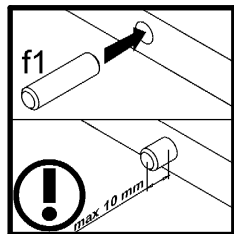
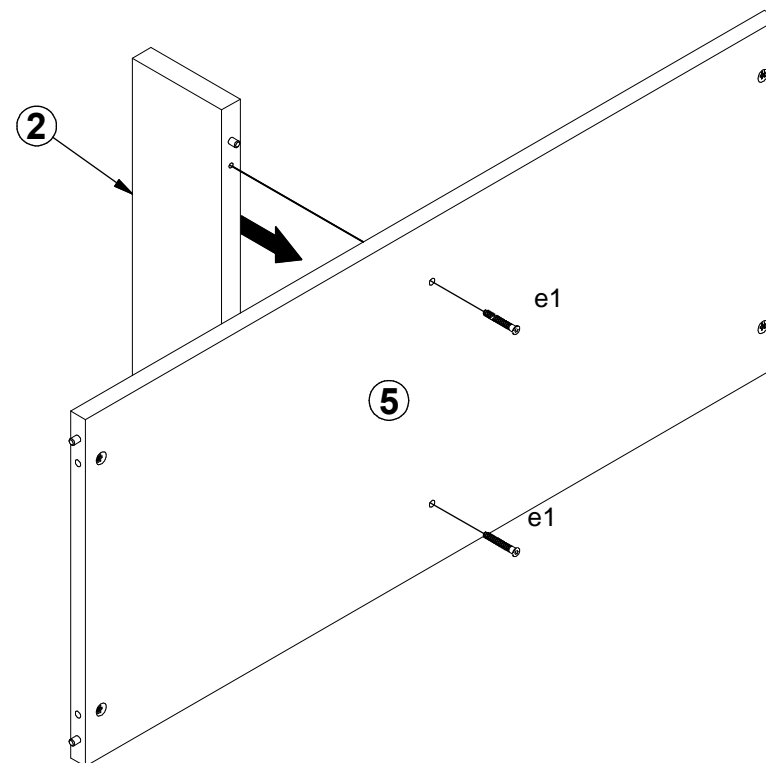


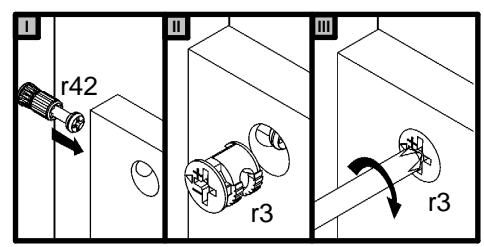
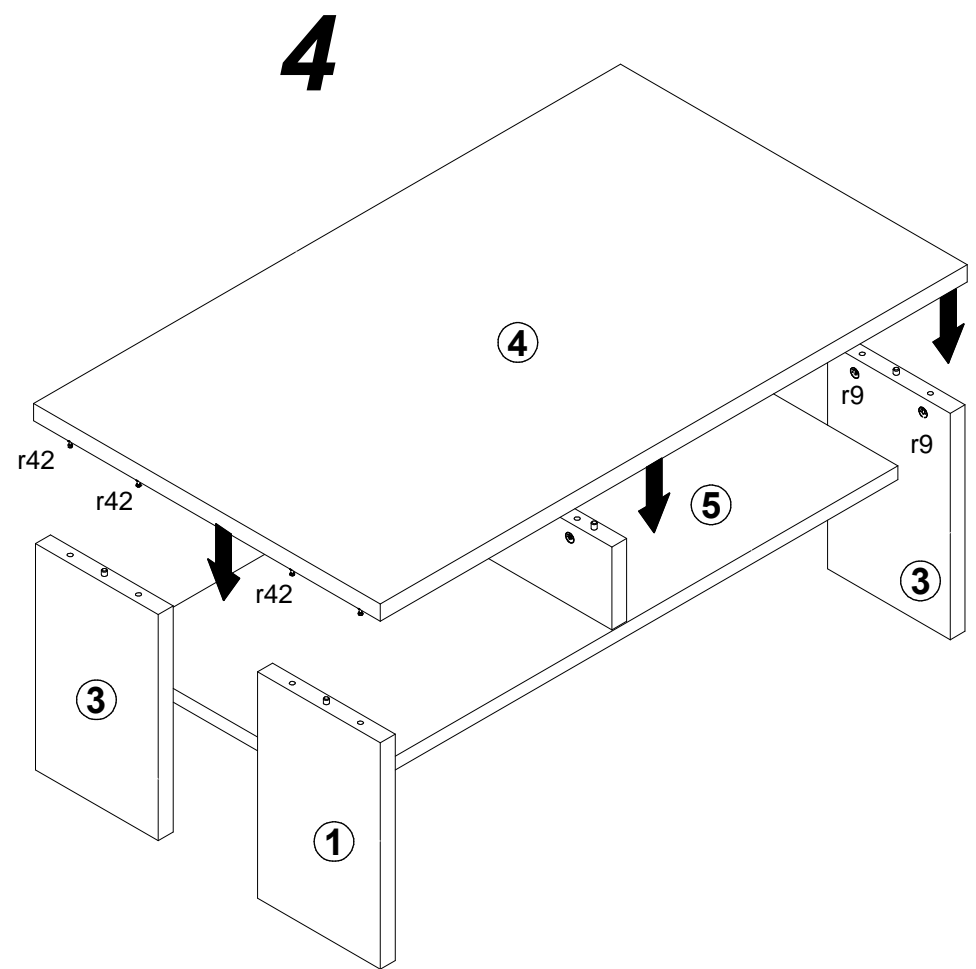
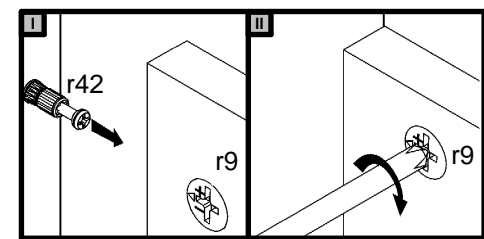
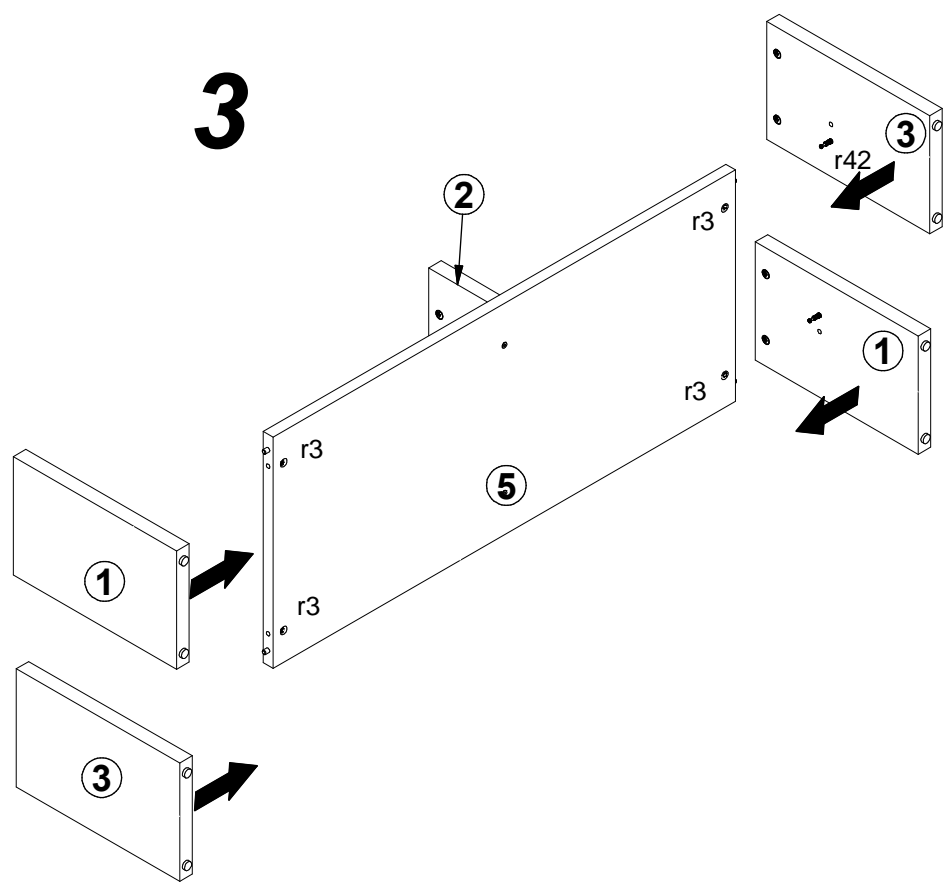
- 6x  f1
- 6x  r9
- 4x  k1
- 2x  r42

1



2





5

