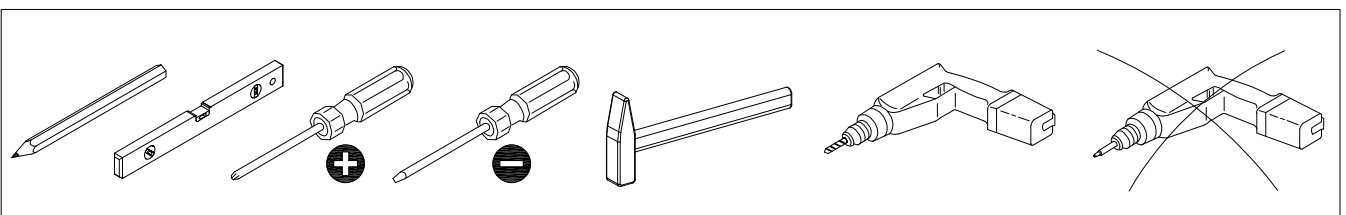
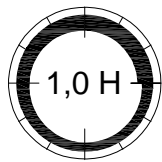
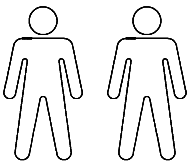
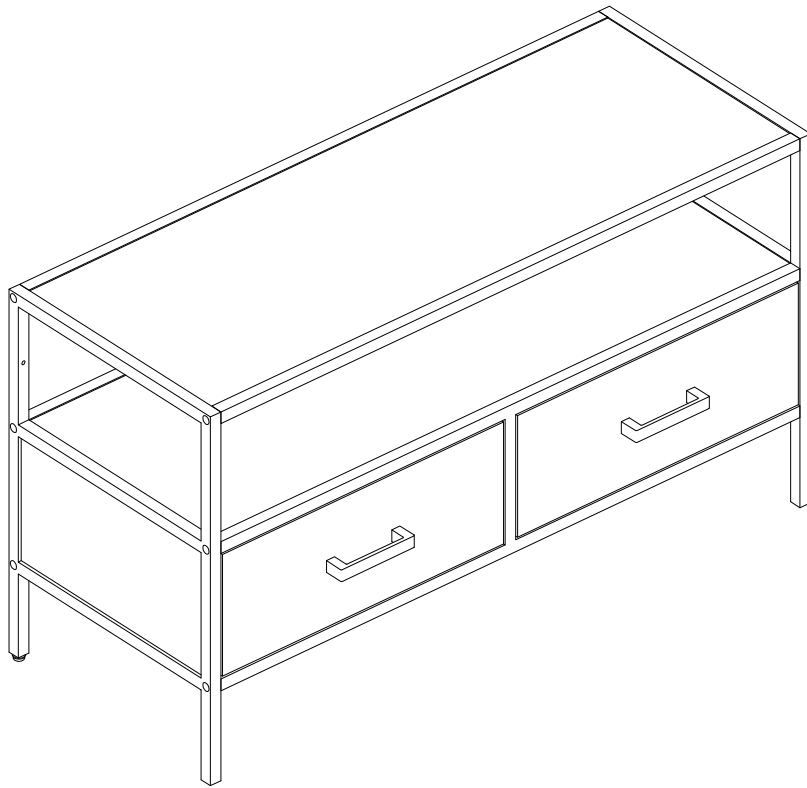


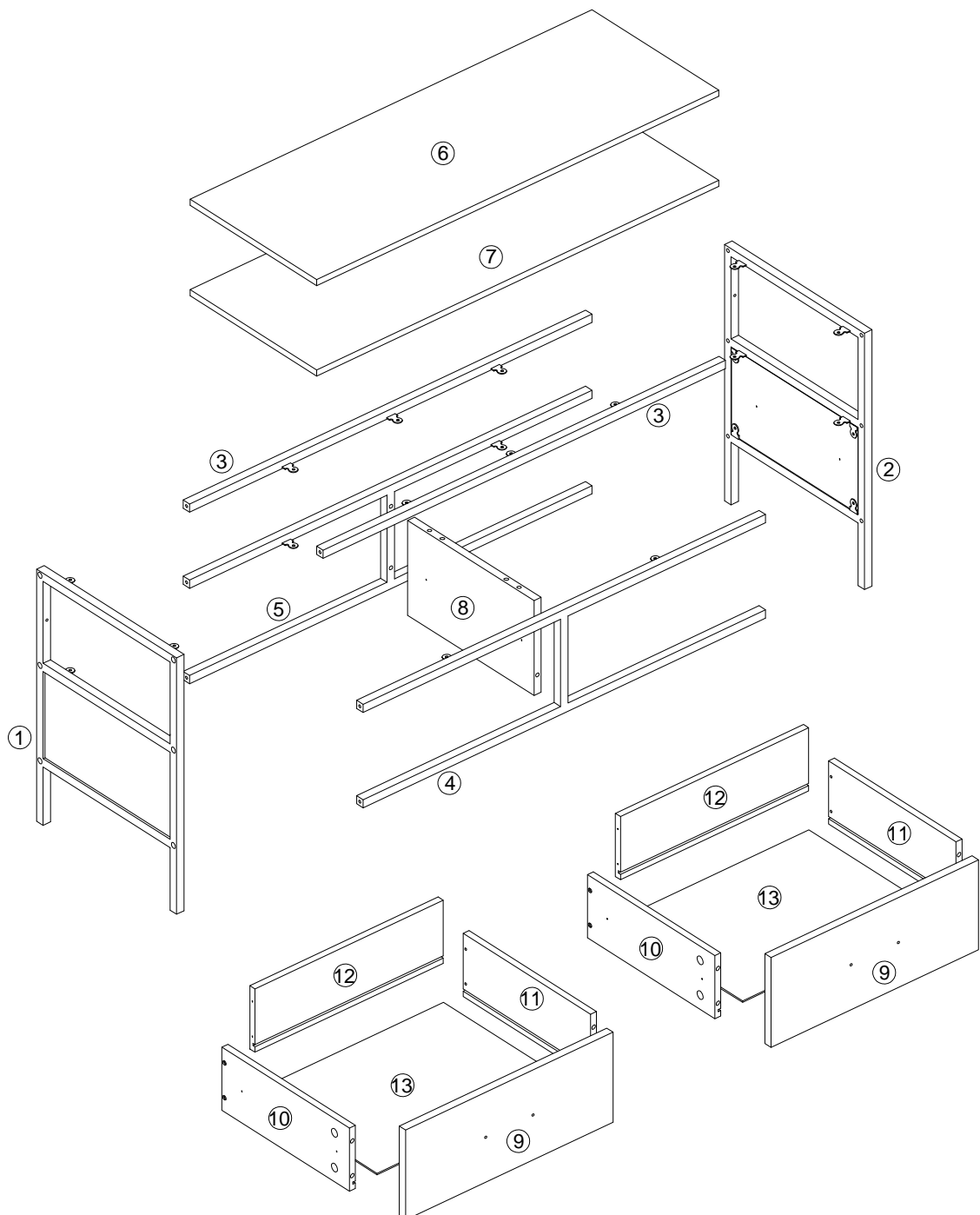
Seaford

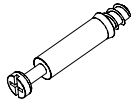
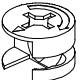
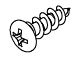




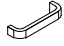

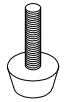
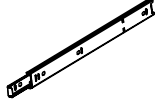
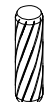
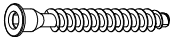



03/06/2021

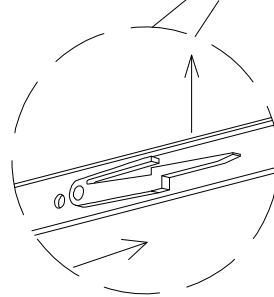
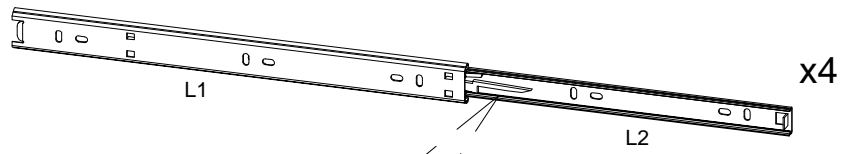
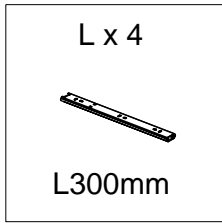
| | | | |
|---|---|---------------|---|
| | | | ✓ |
| ① | 1 | 500x350x42/16 | |
| ② | 1 | 500x350x42/16 | |
| ③ | 2 | 868x16x42/16 | |
| ④ | 1 | 868x202x42/16 | |
| ⑤ | 1 | 868x202x42/16 | |
| ⑥ | 1 | 866x316x12 | |
| ⑦ | 1 | 866x316x12 | |

| | | | |
|---|---|--------------|---|
| | | | ✓ |
| ⑧ | 1 | 316x185x15 | |
| ⑨ | 2 | 421x165x15 | |
| ⑩ | 2 | 300x116x12 | |
| ⑪ | 2 | 300x116x12 | |
| ⑫ | 2 | 382x116x12 | |
| ⑬ | 2 | 391x297x2.75 | |

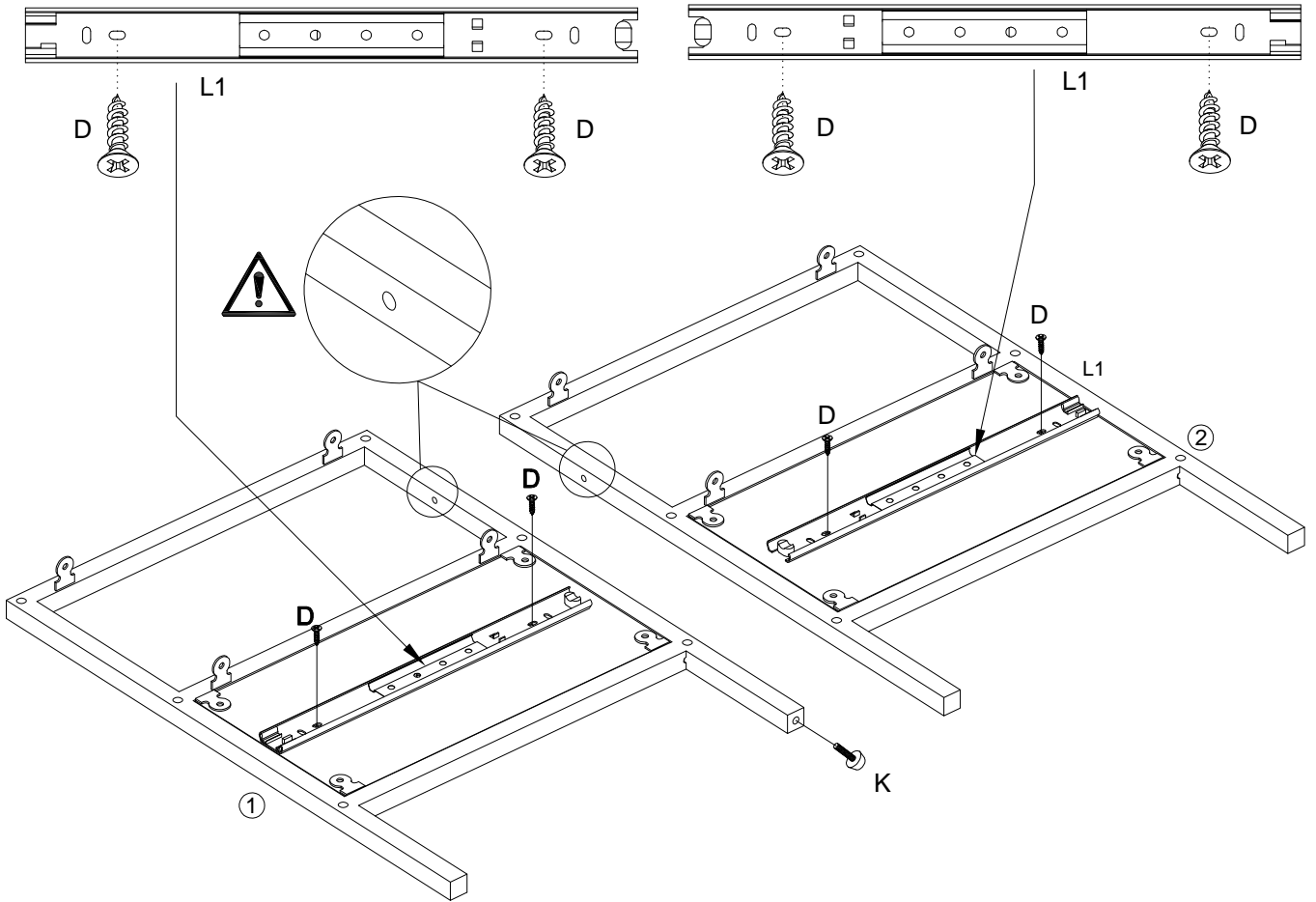
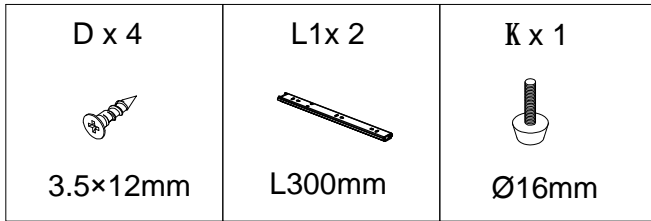


| | | | |
|---|---|---|---|
| <p>A x 11</p>  <p>6.3×35mm</p> | <p>B x 11</p>  <p>Ø15×10mm</p> | <p>C x 18</p>  <p>4×12mm</p> | <p>D x 16</p>  <p>3.5×12mm</p> |
| <p>E x 8</p>  <p>4×35mm</p> | <p>F x 12</p>  <p>M6×15mm</p> | <p>G x 4</p>  <p>4×20mm</p> | <p>H x 2</p>  <p>L117mm</p> |
| <p>J x 1</p>  <p>4mm</p> | <p>K x 1</p>  <p>Ø16mm</p> | <p>L x 4</p>  <p>L300mm</p> | <p>M x 2</p>  <p>Ø8×30mm</p> |
| <p>N x 2</p>  <p>7×38mm</p> | <p>P x 8</p>  <p>Ø20mm</p> | | |



1

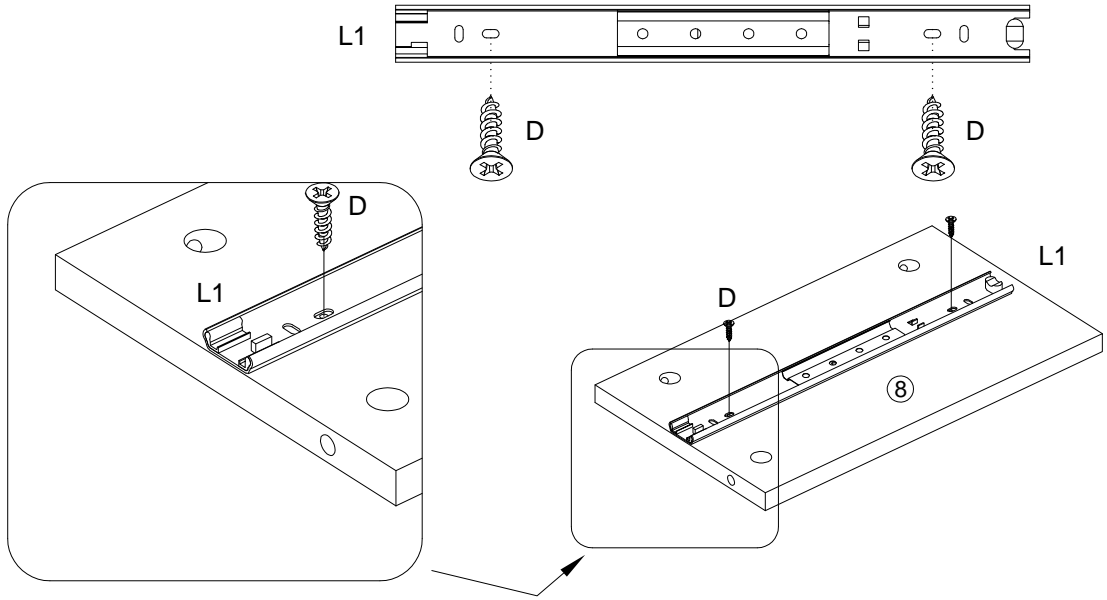
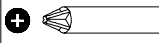


2





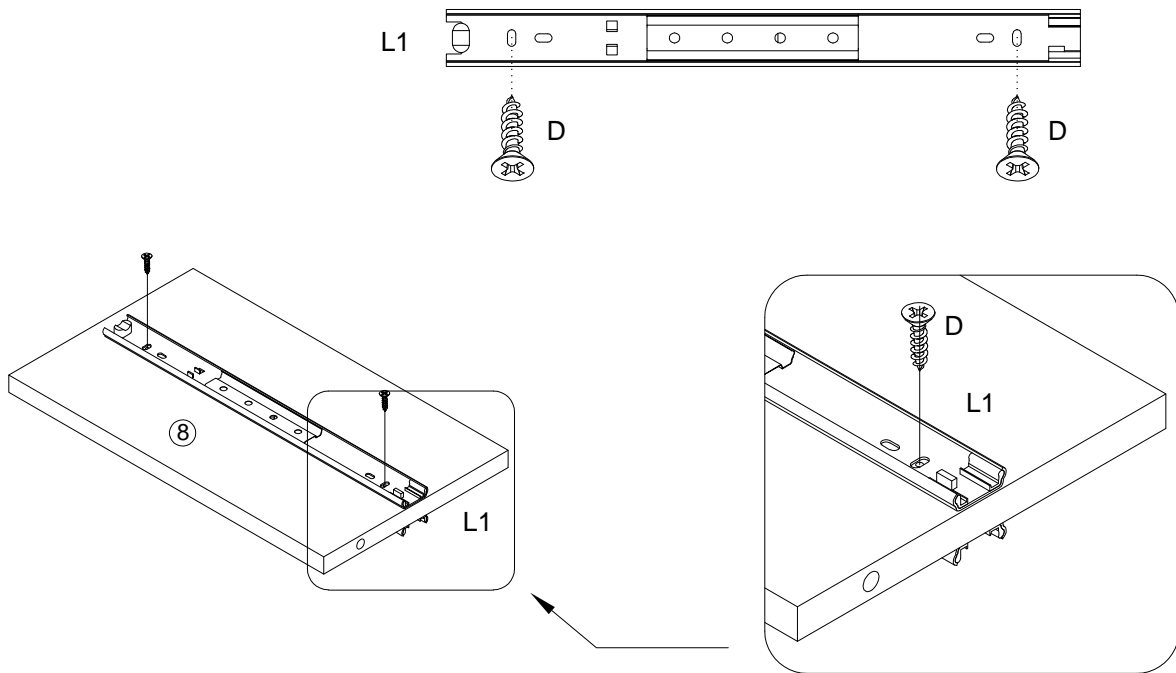
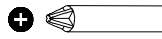
3

| | |
|---|---|
| D x 2 | L1 x 1 |
|  |  |
| 3.5x12mm | L300mm |


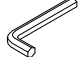


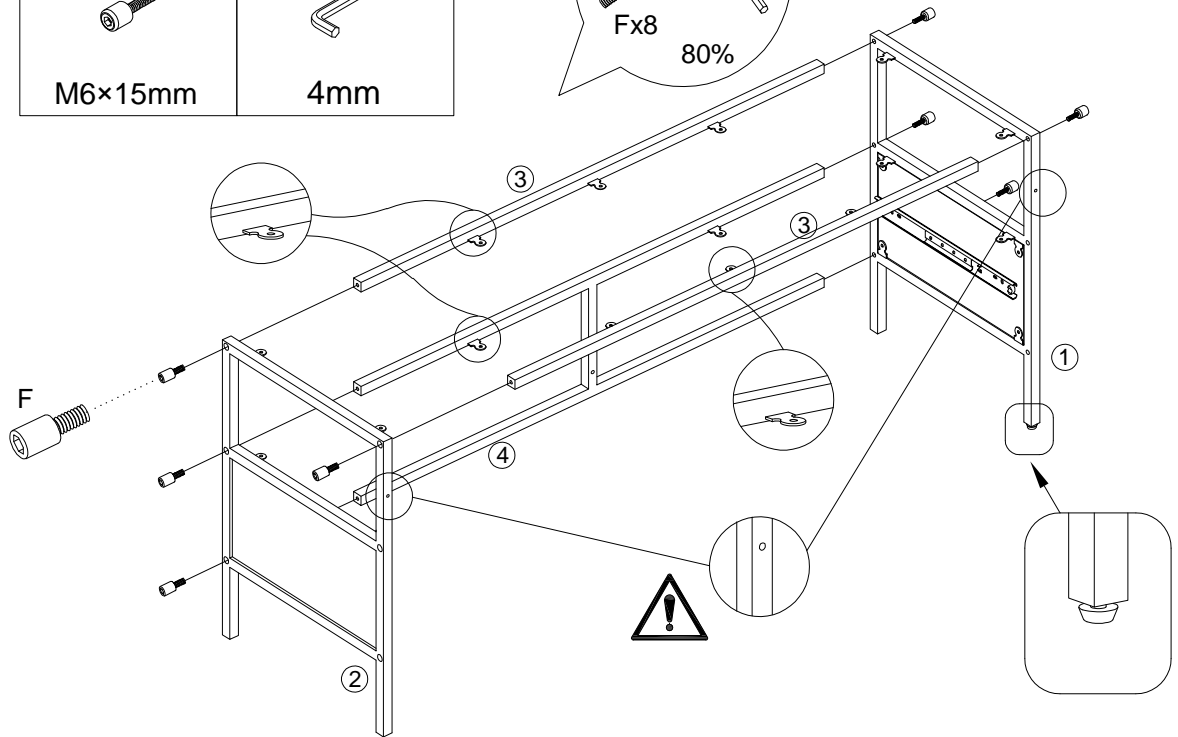
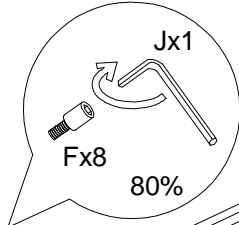
4

| | |
|---|---|
| D x 2 | L1 x 1 |
|  |  |
| 3.5x12mm | L300mm |

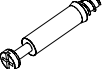


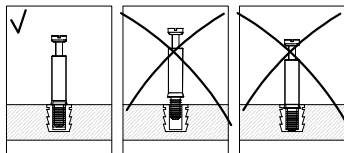
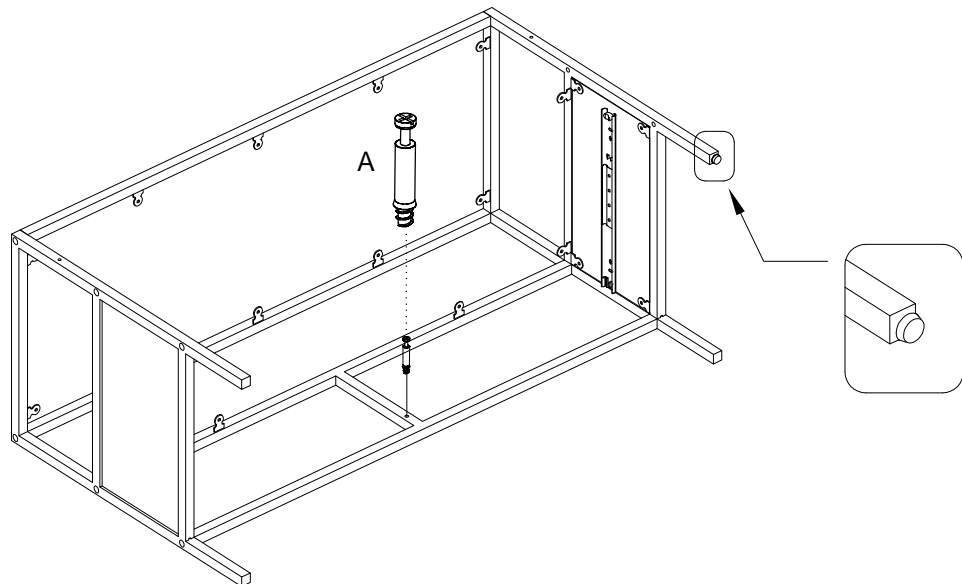
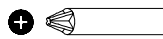
5

| | |
|---|---|
| F x 8  M6x15mm | J x 1  4mm |
|---|---|

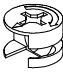



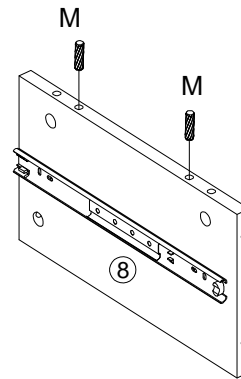
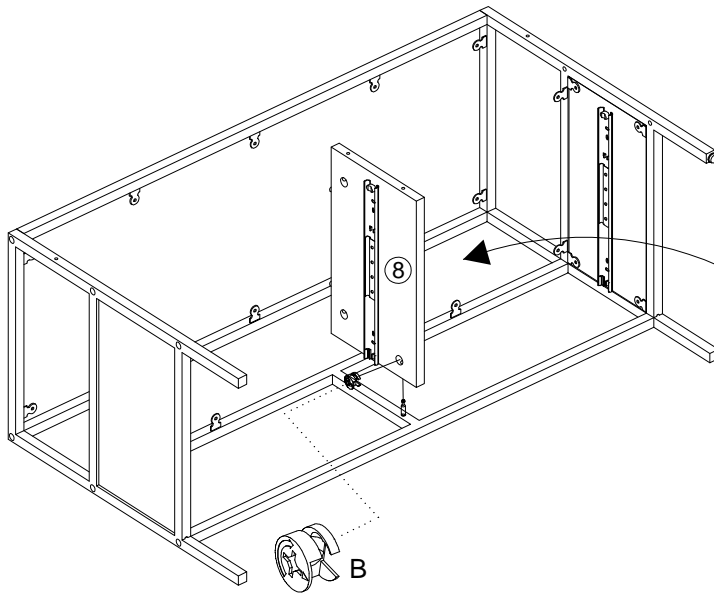
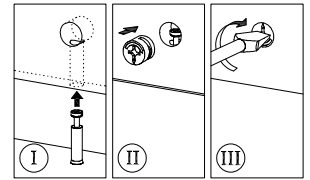
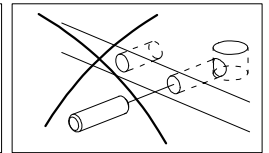
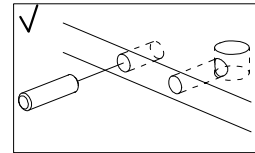
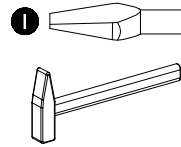
6

| |
|--|
| A x 1  6.3x35mm |
|--|


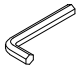



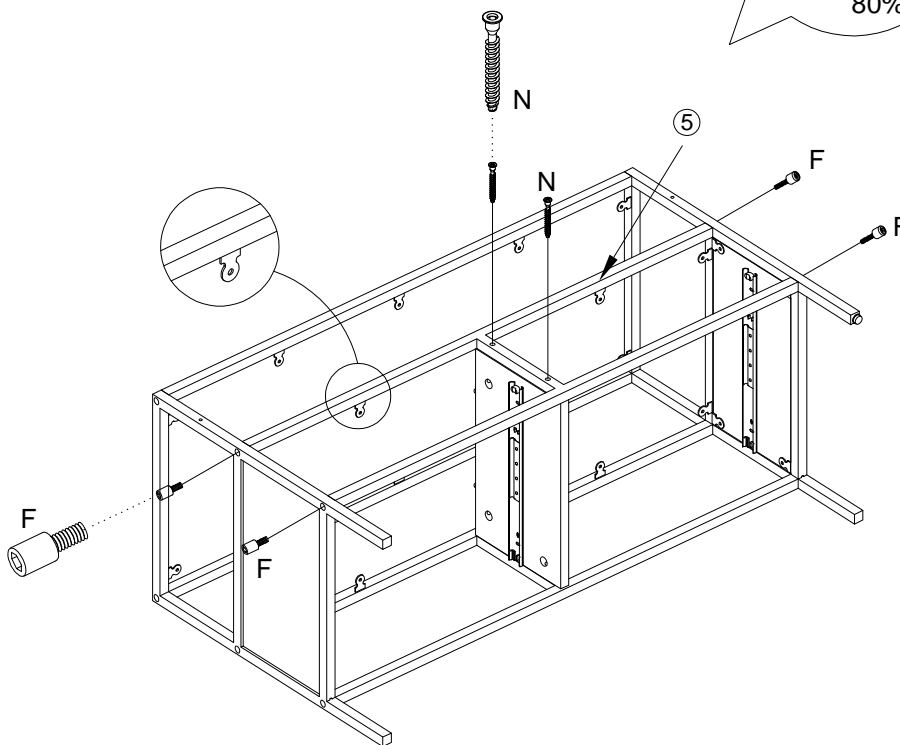
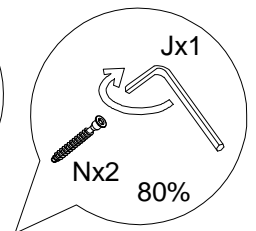
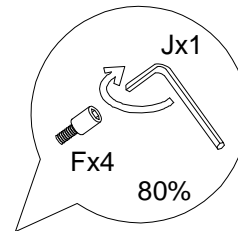
7

| | |
|--|---|
| B x 1  Ø15×10mm | M x 2  Ø8×30mm |
|--|---|

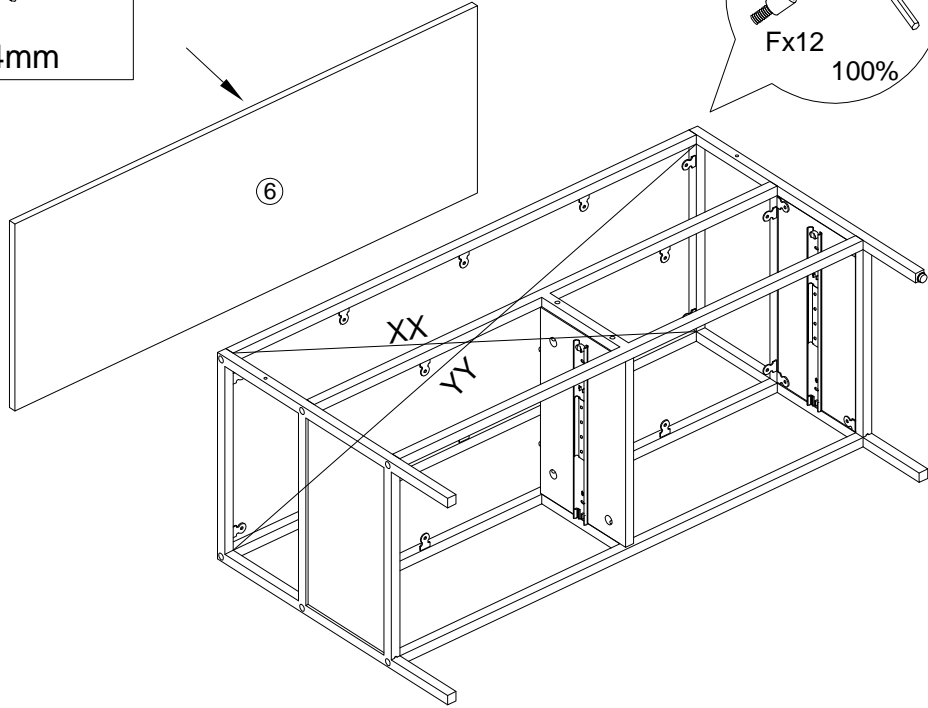
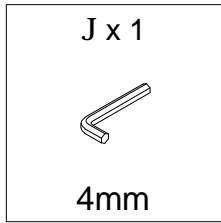


8

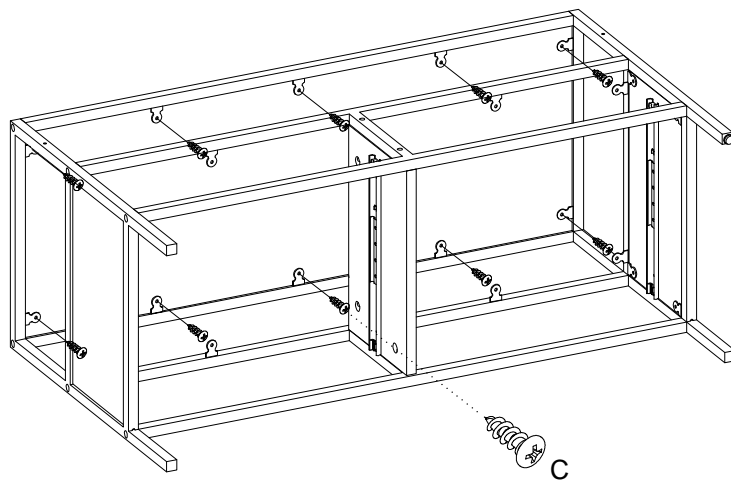
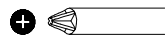
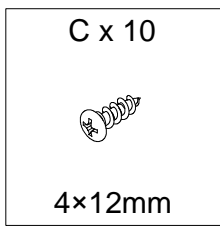
| | | |
|---|---|--|
| F x 4  M6×15mm | J x 1  4mm | N x 2  7×38mm |
|---|---|--|



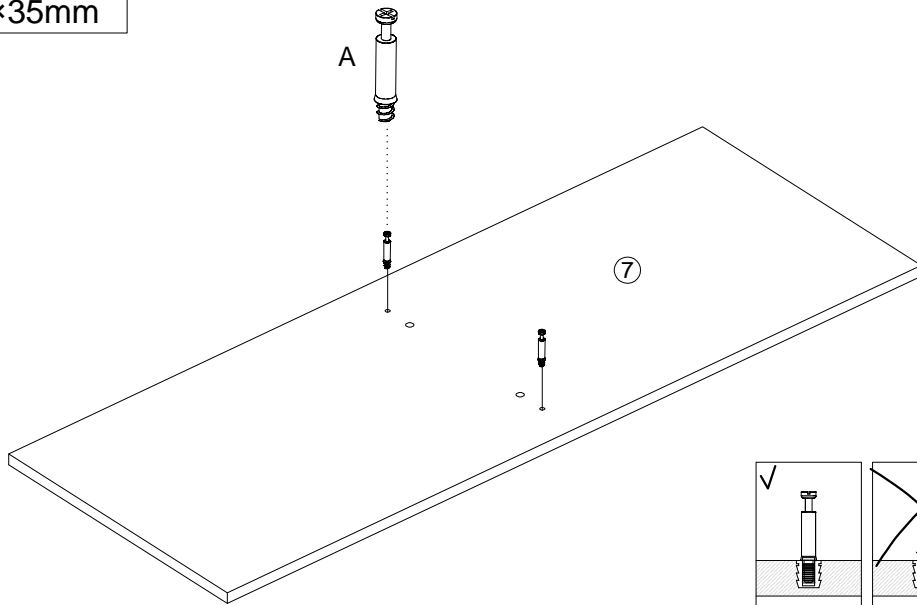
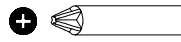
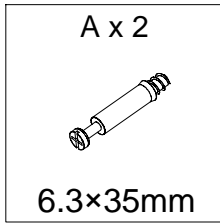
9



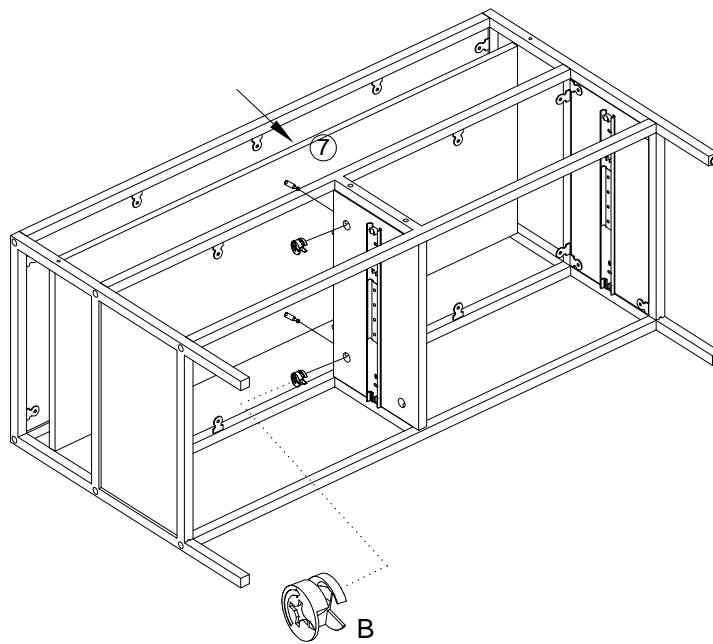
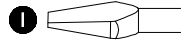
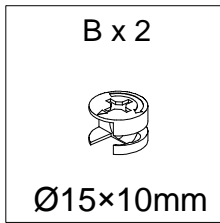
10



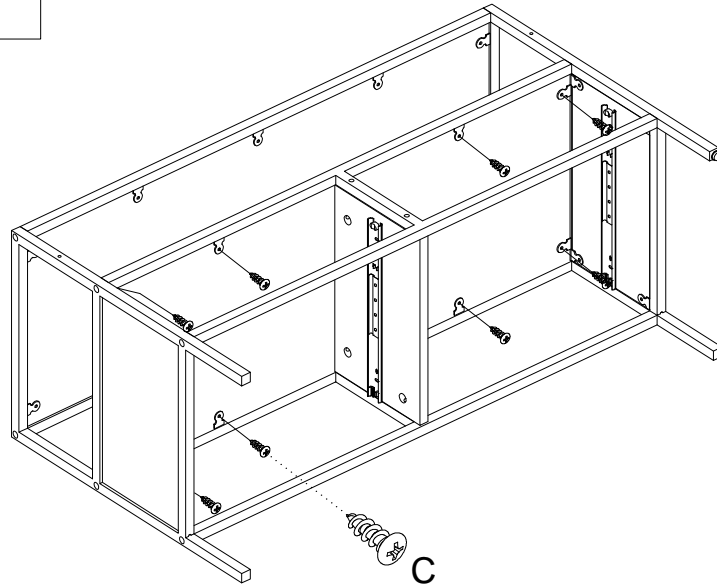
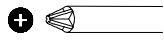
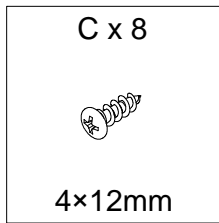
11



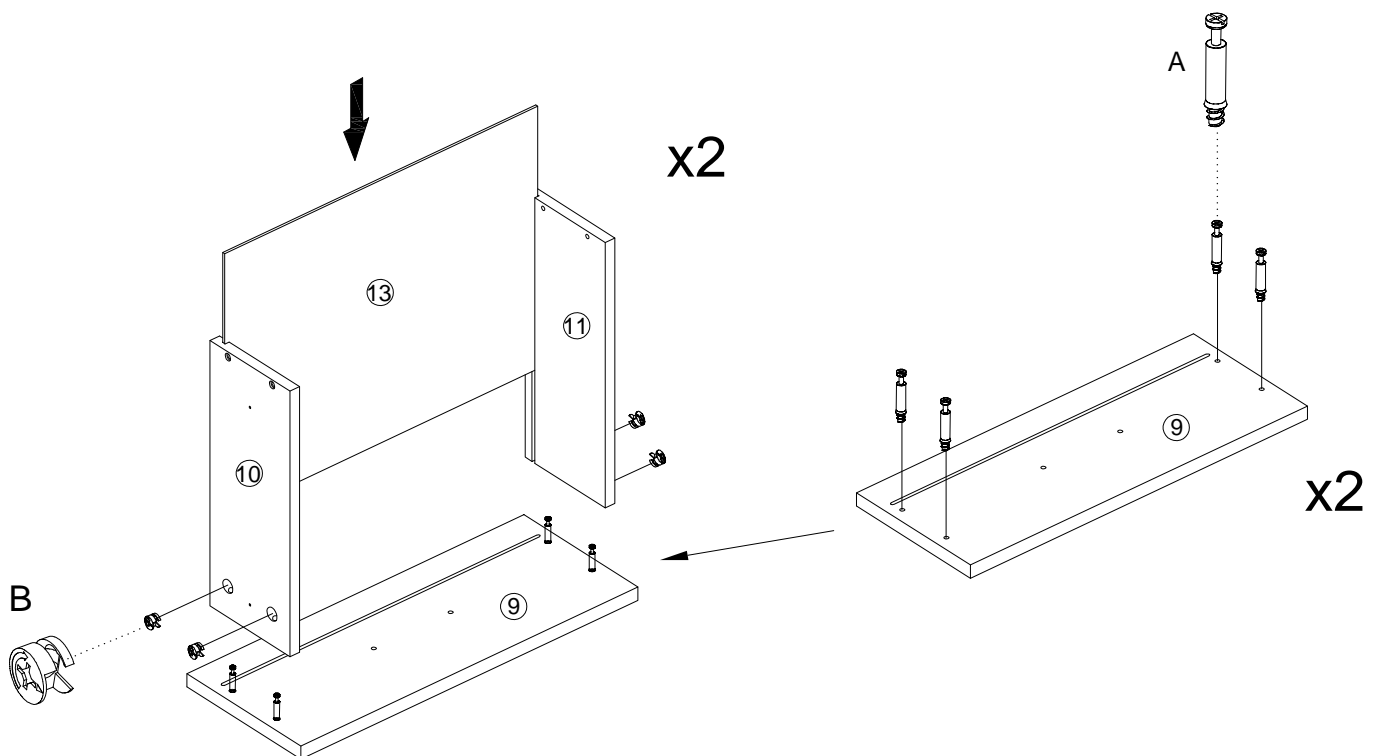
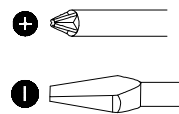
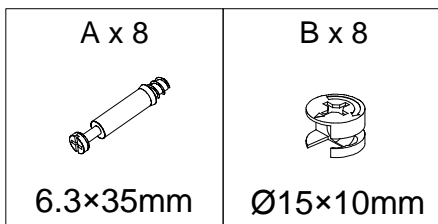
12





13

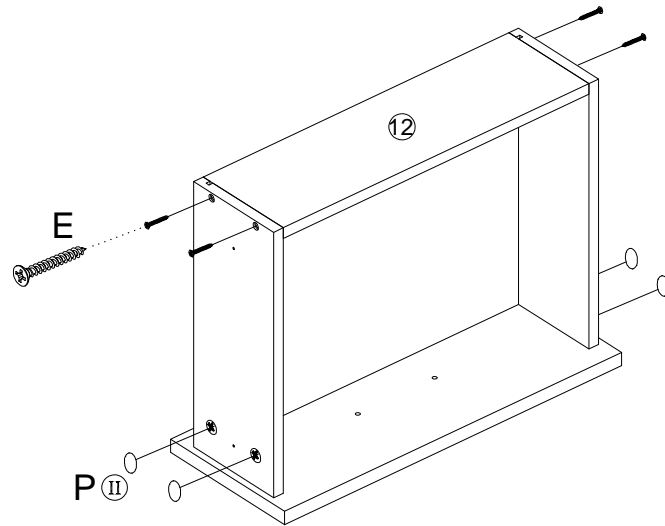
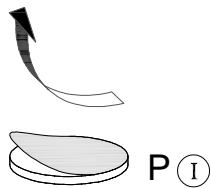
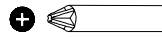


14





15

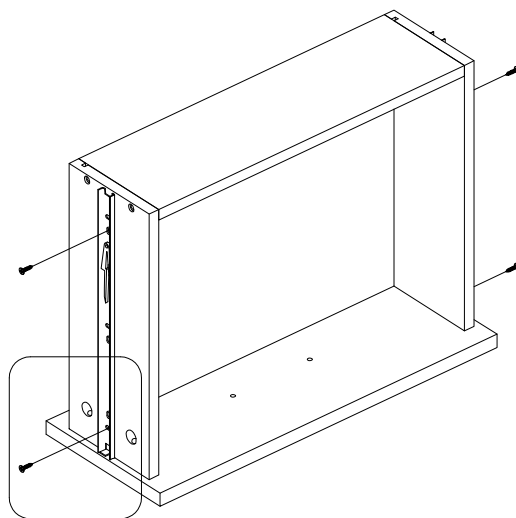
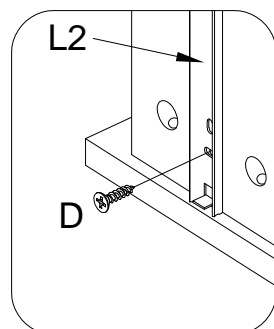
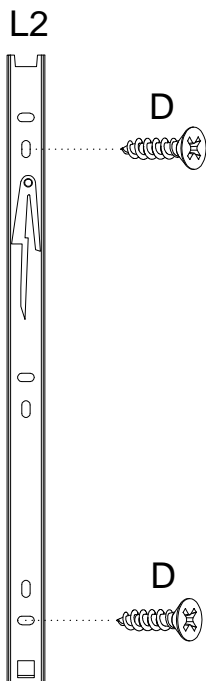
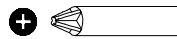
| | |
|---|---|
| E x 8 | P x 8 |
|  |  |
| 4x35mm | Ø20mm |



x2


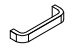
16

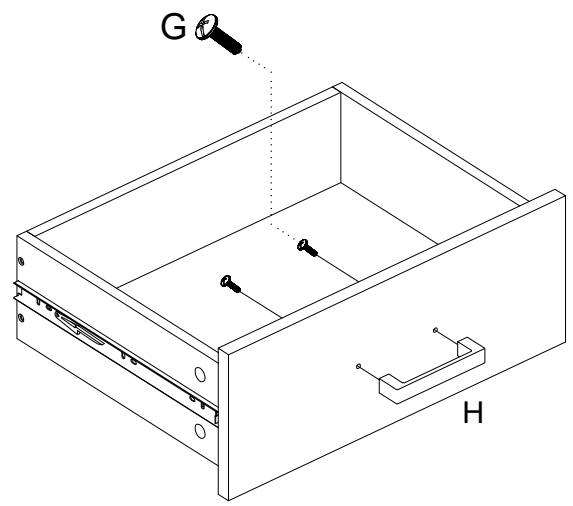
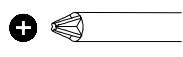
| | |
|---|---|
| D x 8 | L2 x 4 |
|  |  |
| 3.5x12mm | L300mm |



x2

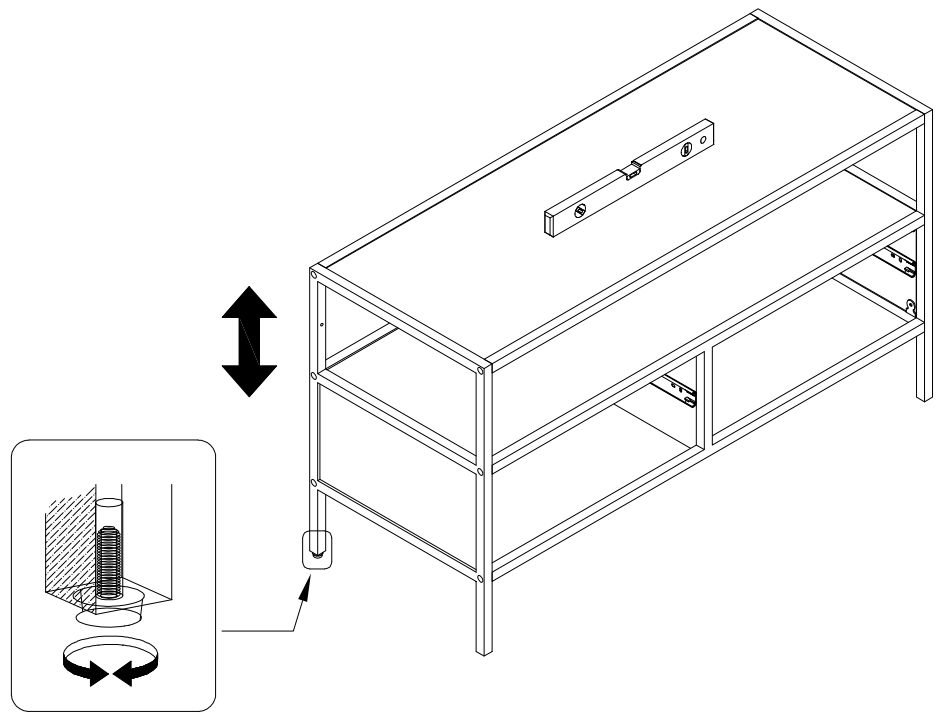
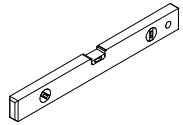
17

| | |
|---|---|
| G x 4 | H x 2 |
|  |  |
| 4x20mm | L117mm |

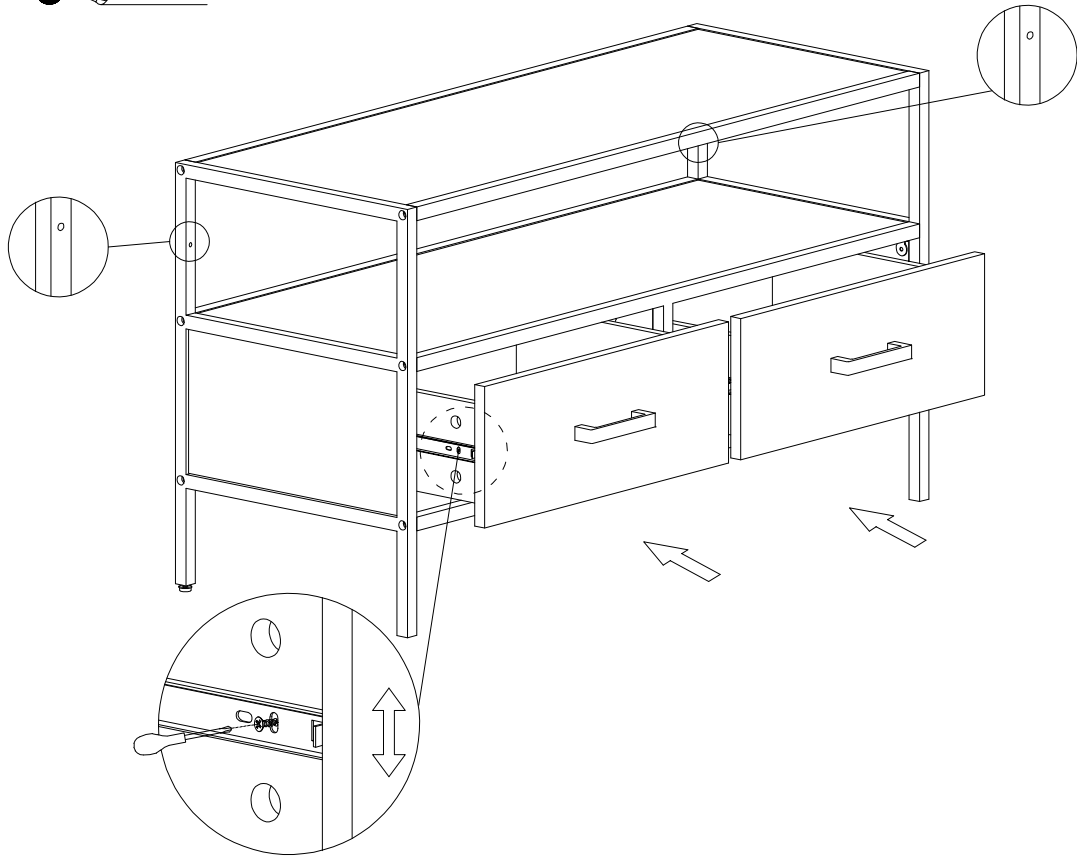
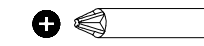


x2

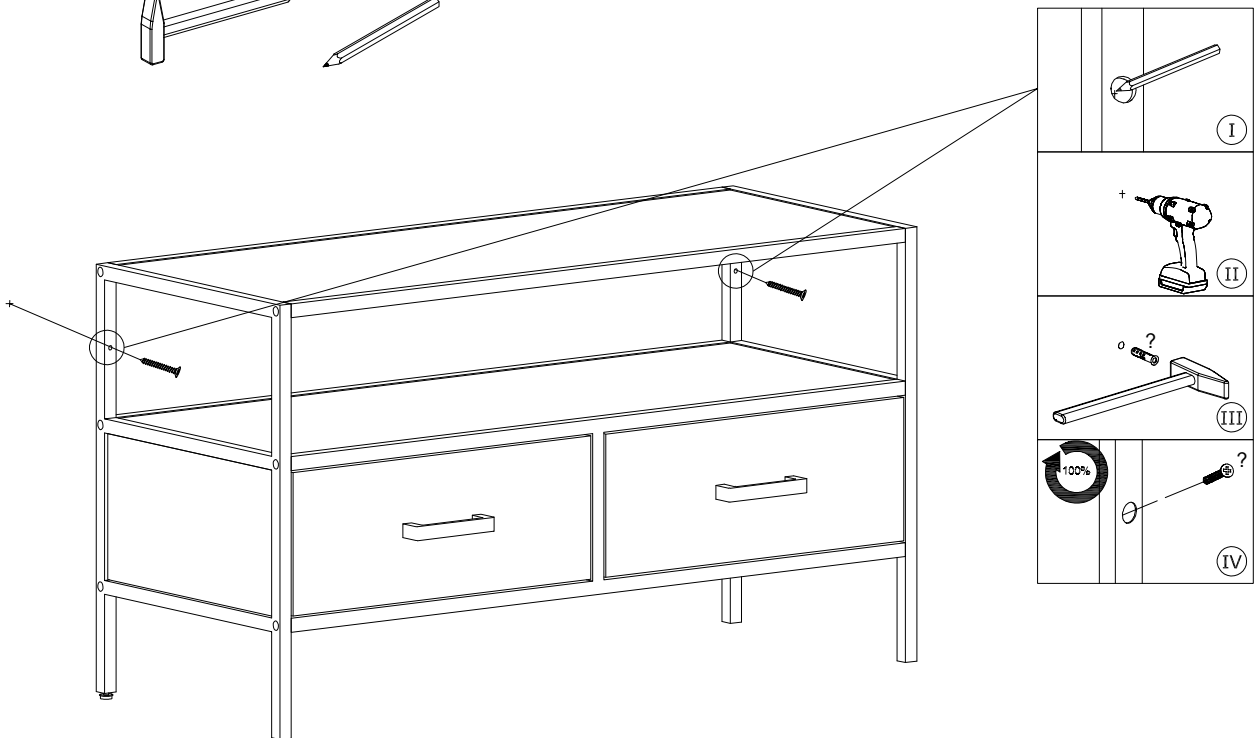
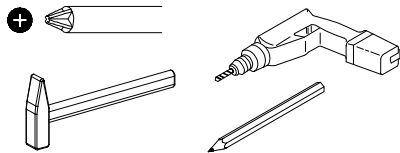
18



19



20



21

