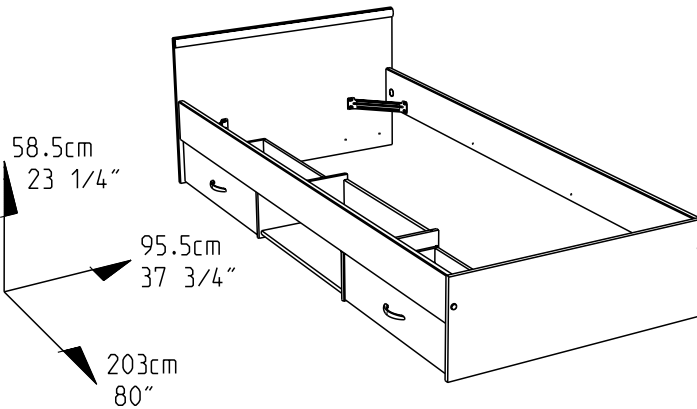


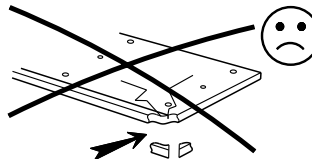
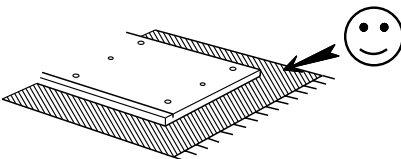
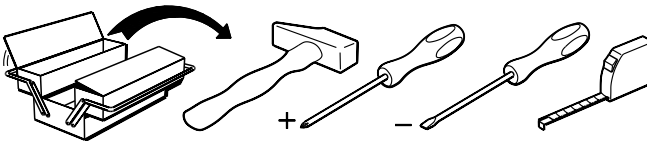
SOLUTION "B"

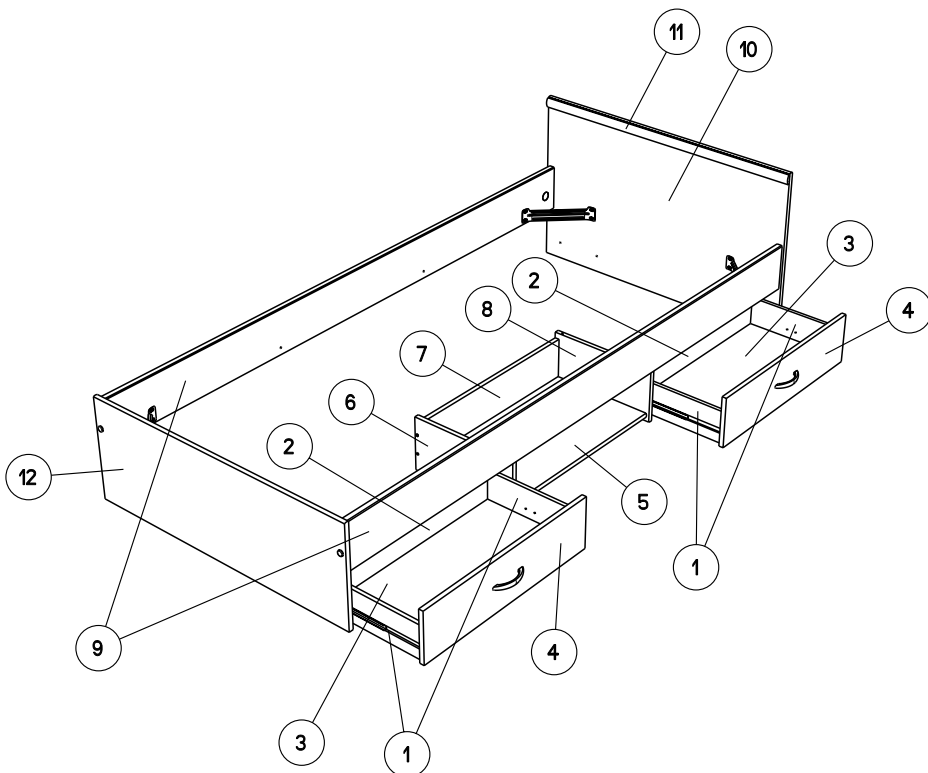
- (GB) SOLUTION "B"
- (D) LOSUNG "B"
- (E) SOLUCION "B"
- (P) SOLUCAO "B"
- (I) VERSION "B"
- (NL) OPLOSSING "B"



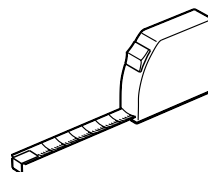
SOLUTION "A"

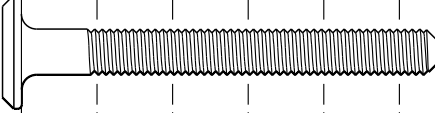
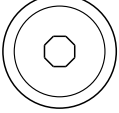
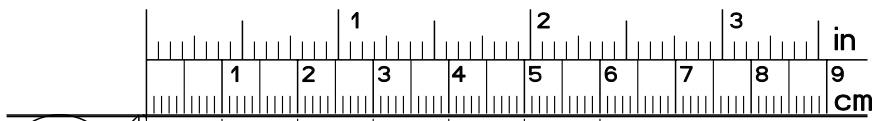
- (GB) SOLUTION "A"
- (D) LOSUNG "A"
- (E) SOLUCION "A"
- (P) SOLUCAO "A"
- (I) VERSION "A"
- (NL) OPLOSSING "A"



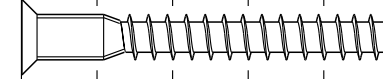


		mm			inch		
⑥	x 1	367	181	15	14 7/16	7 1/8	9/16.
⑧	x 1	367	181	15	14 7/16	7 1/8	9/16.
⑦	x 1	634	133	15	24 15/16	5 1/4	9/16.
⑤	x 1	634	356	15	24 15/16	14	9/16.
④	x 2	664	171	15	26 1/8	6 3/4	9/16.
⑪	x 1	958	34	12	37 11/16	1 5/16	7/16.
⑫	x 1	958	343	15	37 11/16	13 1/2	9/16.
⑩	x 1	958	589	15	37 11/16	23 3/16	9/16.
⑨	x 2	2000	155	22	78 3/4	6 1/8	7/8.
①	x 4	335	110	13	13 3/16	4 5/16	1/2.
②	x 2	635	110	13	25	4 5/16	1/2.
③	x 2	646	334	3	25 7/16	13 1/8	1/8.

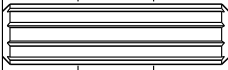




BLZ x 4



HW x 4



ADM x 22



ADU x 8

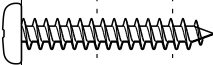
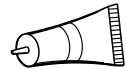
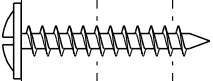


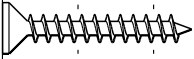
ABB x 4



CF x 1



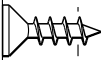
XN x 4



VJ x 2



HV x 1



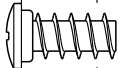
VG x 8



VU x 4



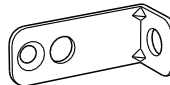
BML x 2



VB x 20



ANK x 8



BLL x 2



CI x 4



VR x 4

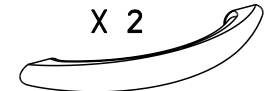
X 2



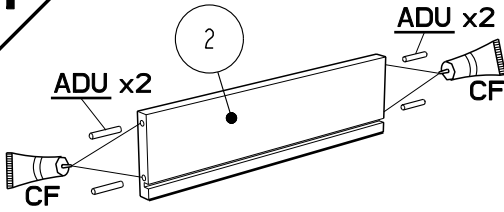
BLR x 4



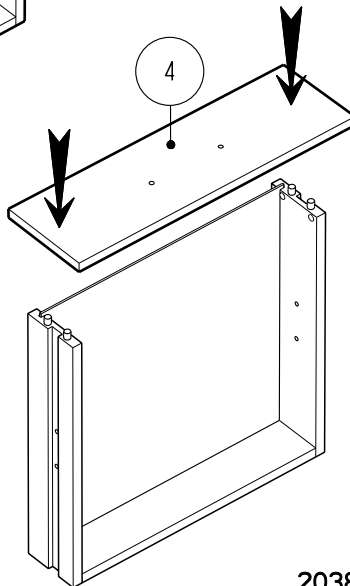
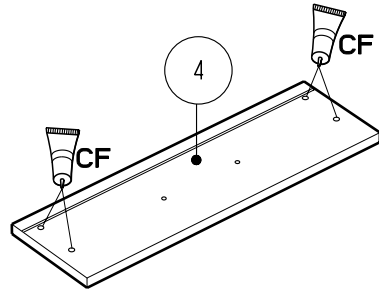
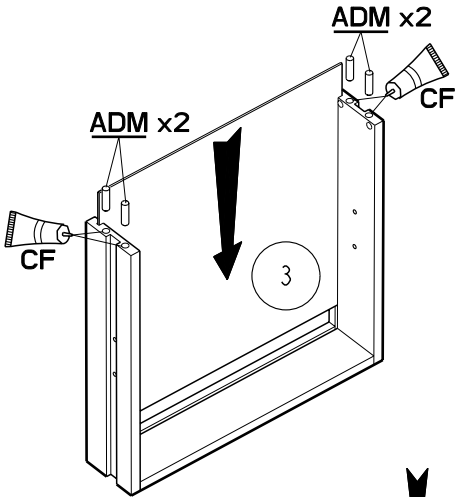
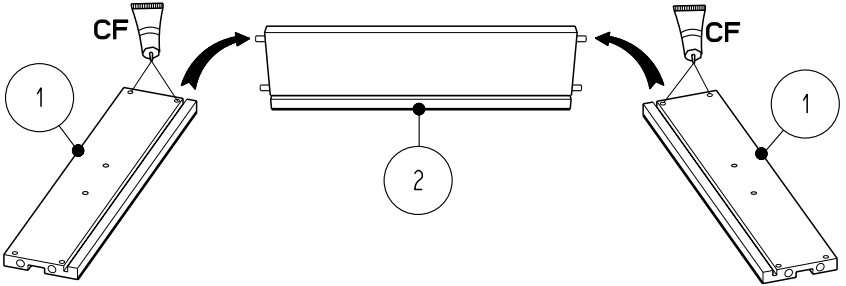
EP x 2



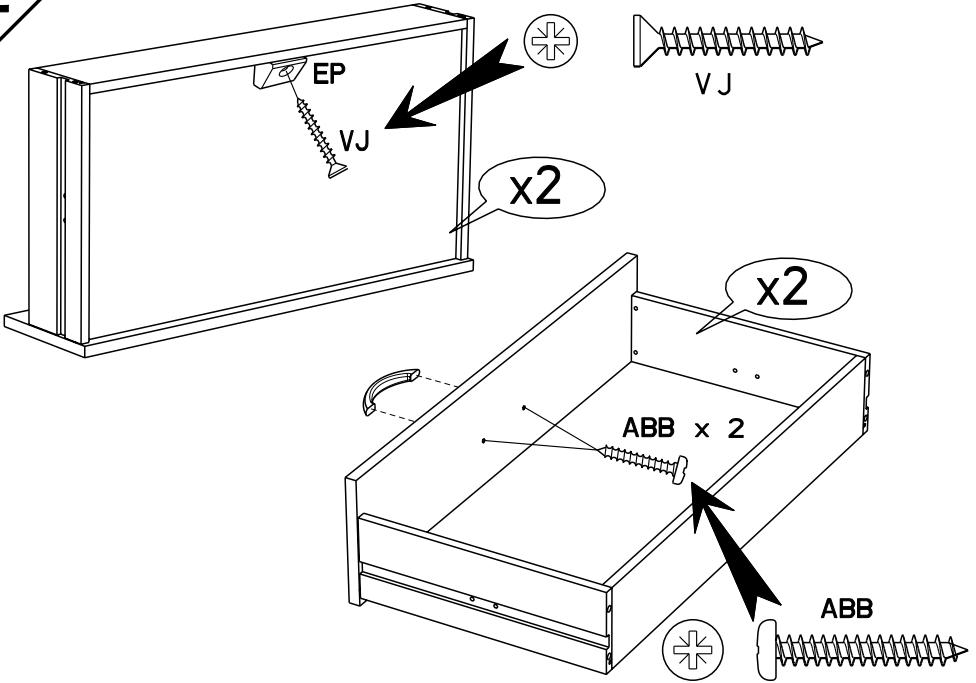
1



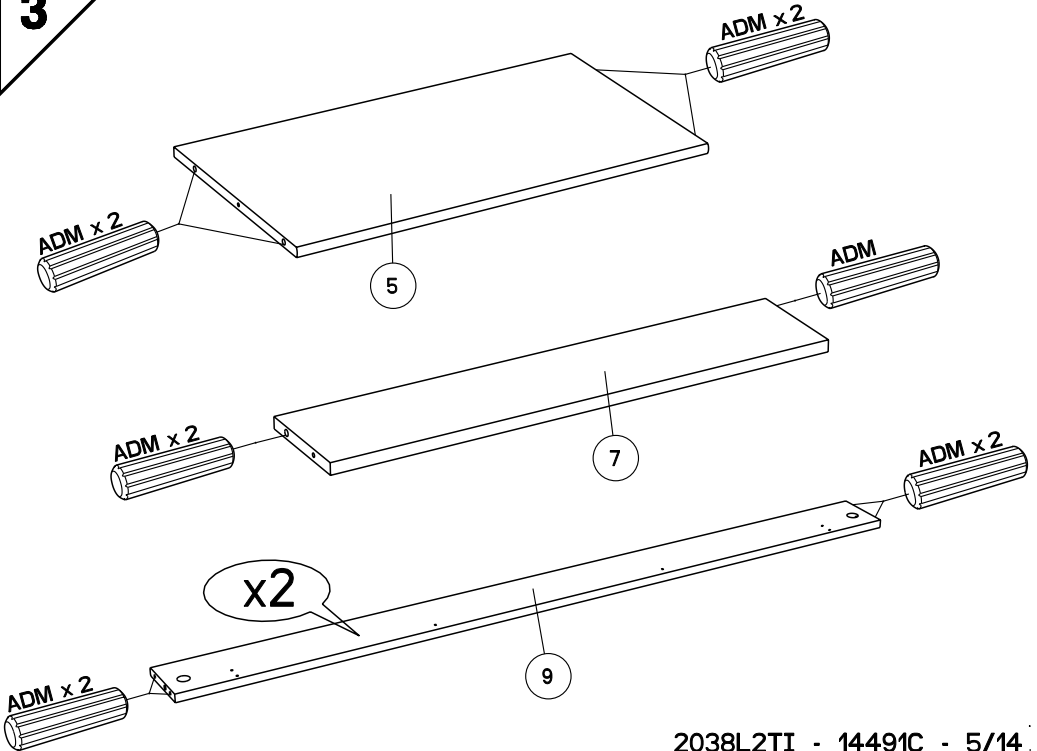
x2



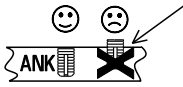
2



3

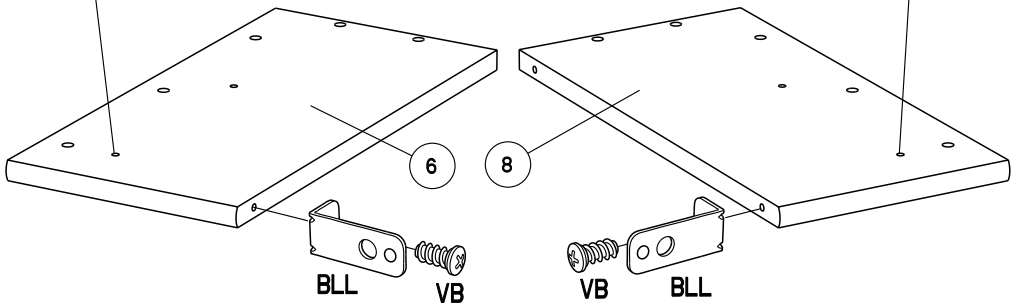
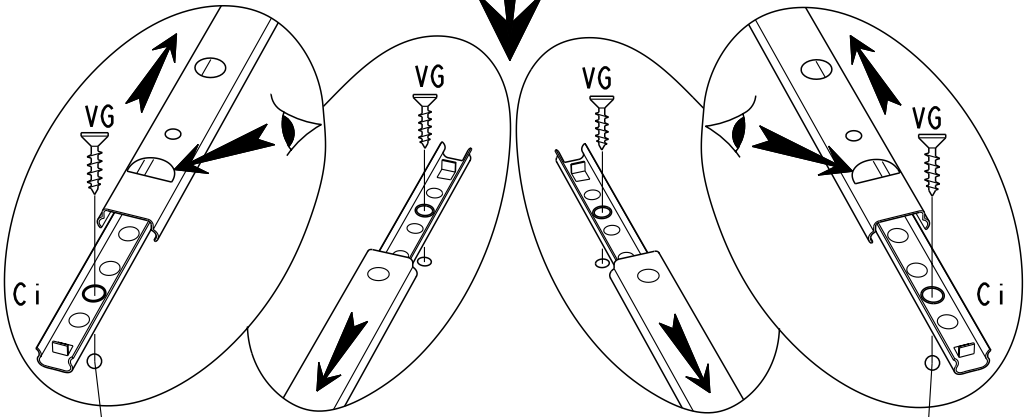
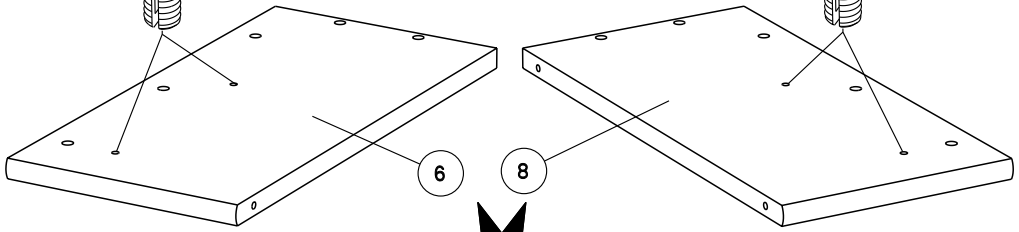


4

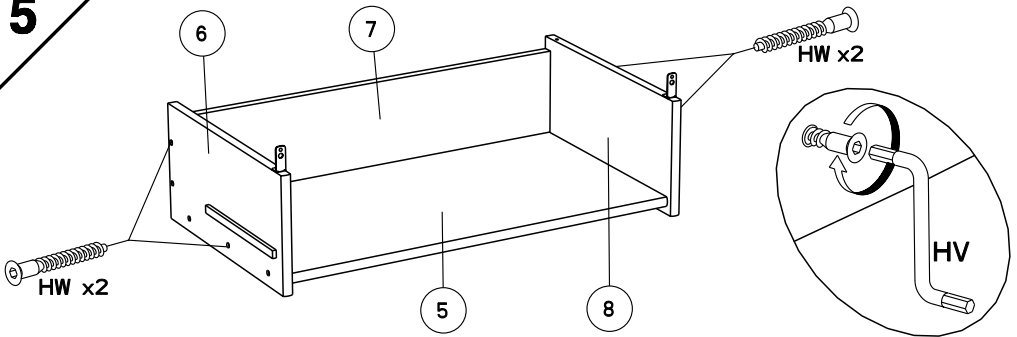


ANK x2

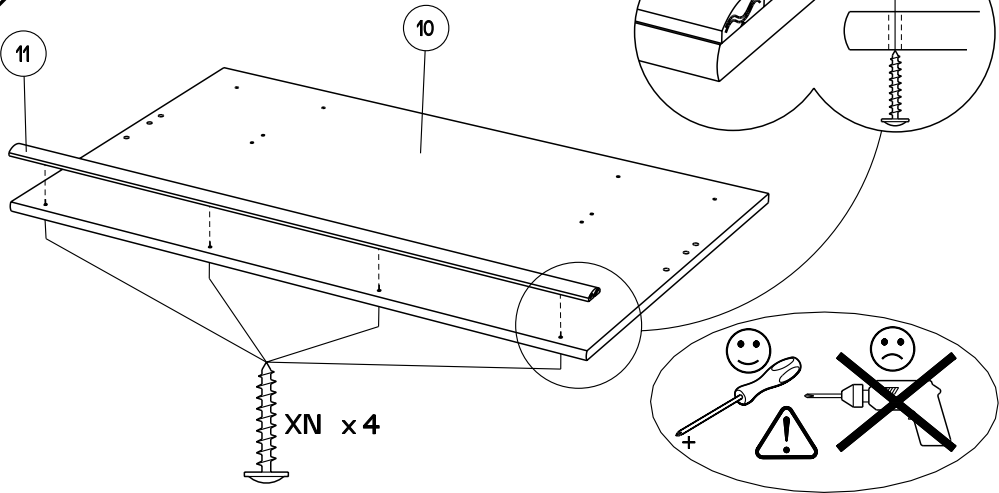
ANK x2



5



6

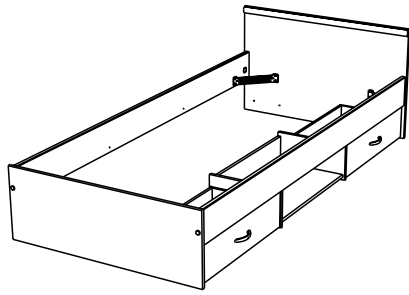
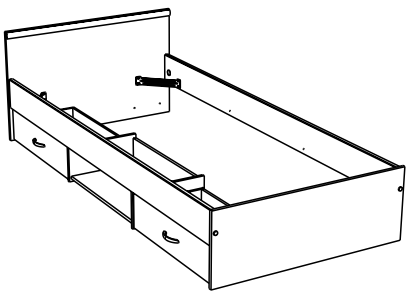


SOLUTION "A"

- (GB) SOLUTION "A"
- (D) LOSUNG "A"
- (E) SOLUCION "A"
- (P) SOLUCAO "A"
- (I) VERSION "A"
- (NL) OPLOSSING "A"

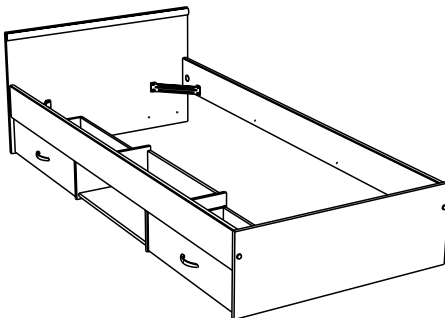
SOLUTION "B"

- (GB) SOLUTION "B"
- (D) LOSUNG "B"
- (E) SOLUCION "B"
- (P) SOLUCAO "B"
- (I) VERSION "B"
- (NL) OPLOSSING "B"

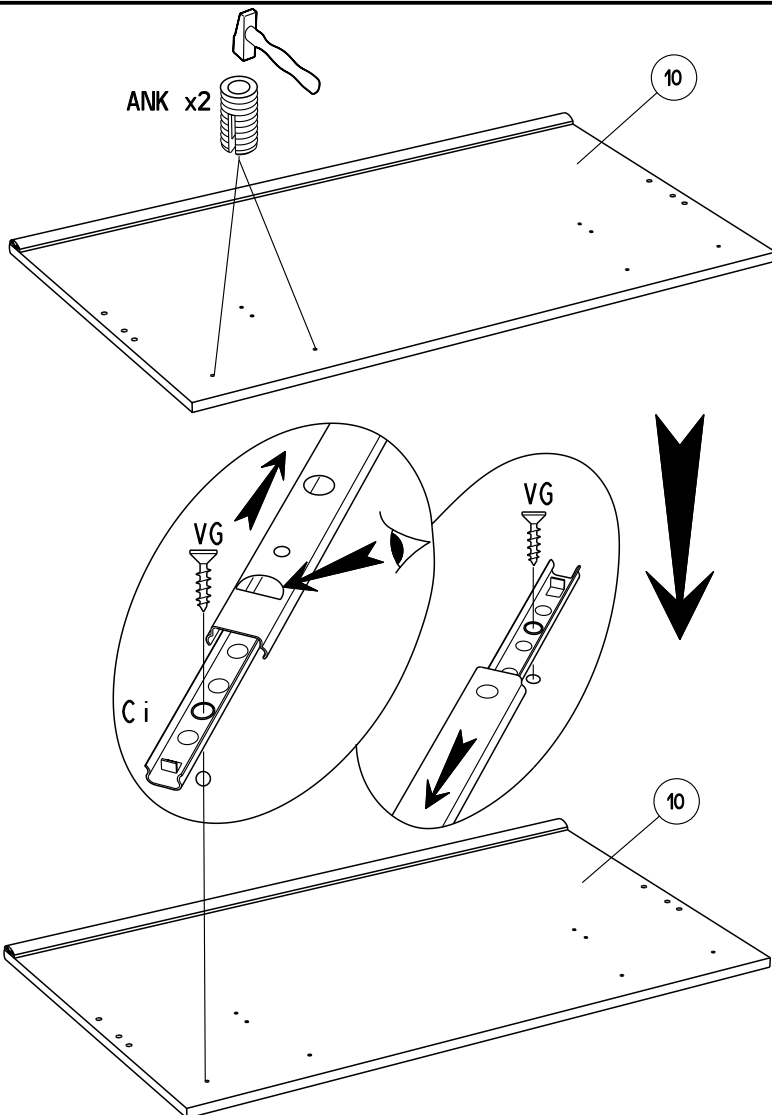


SOLUTION "A"

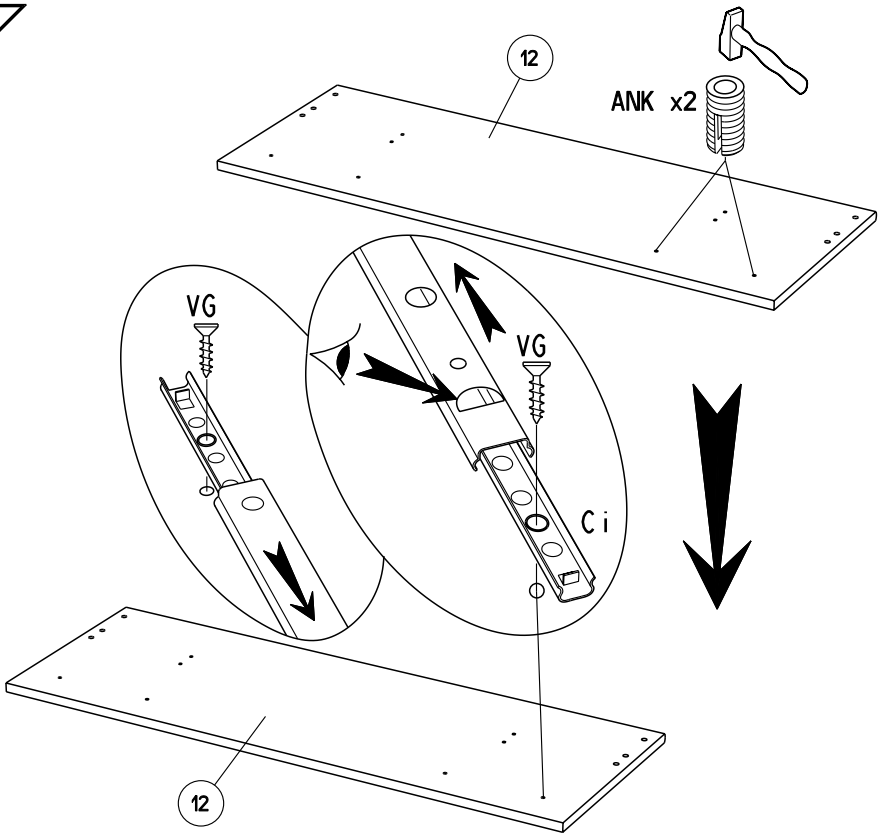
- ⓖ **SOLUTION "A"**
- ⓓ **LOSUNG "A"**
- ⓔ **SOLUCION "A"**
- Ⓟ **SOLUCAO "A"**
- ⓔ **VERSION "A"**
- Ⓝ **OPLOSSING "A"**



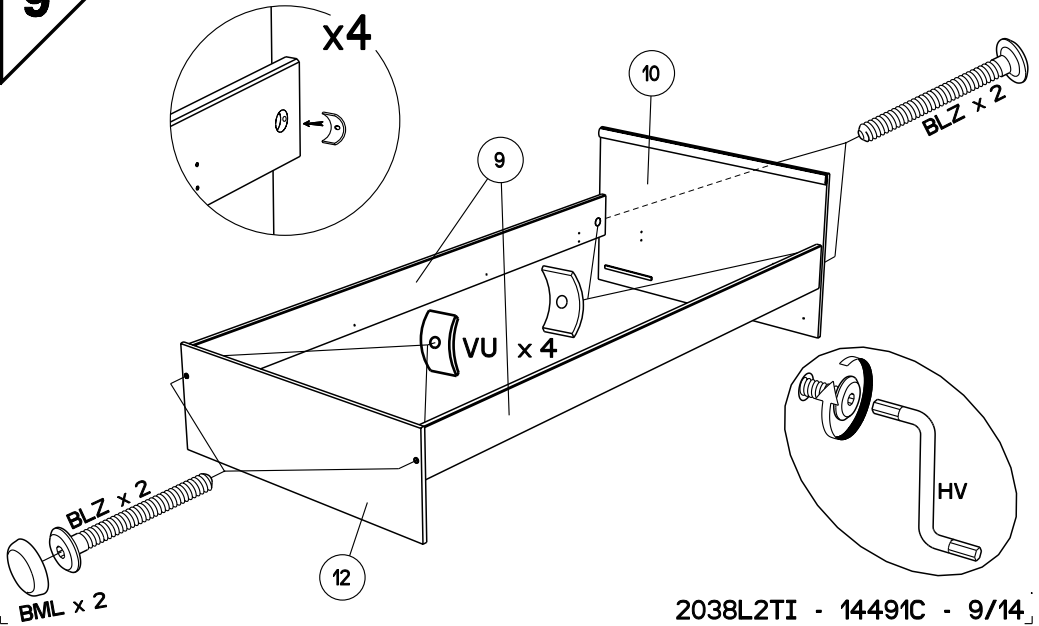
7



8

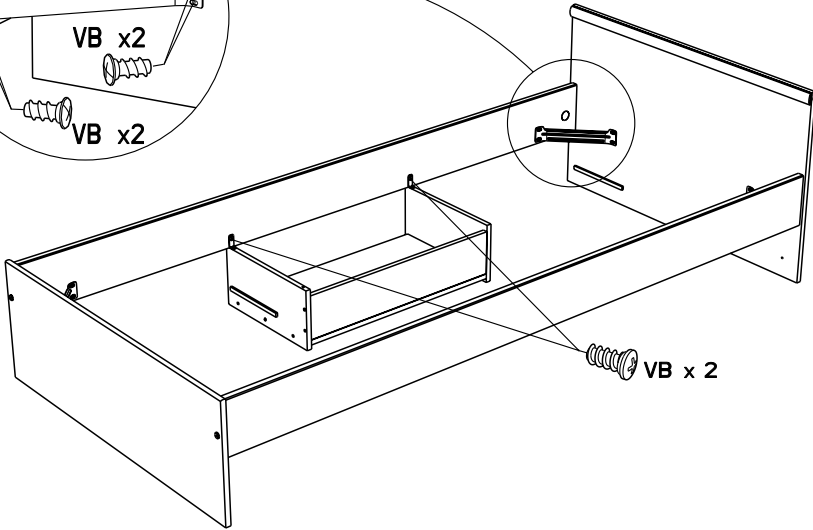
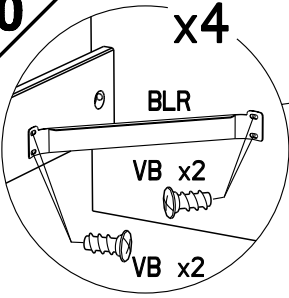


9

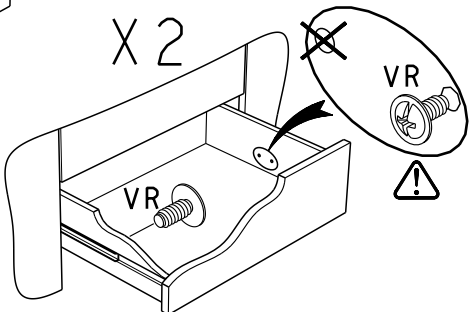
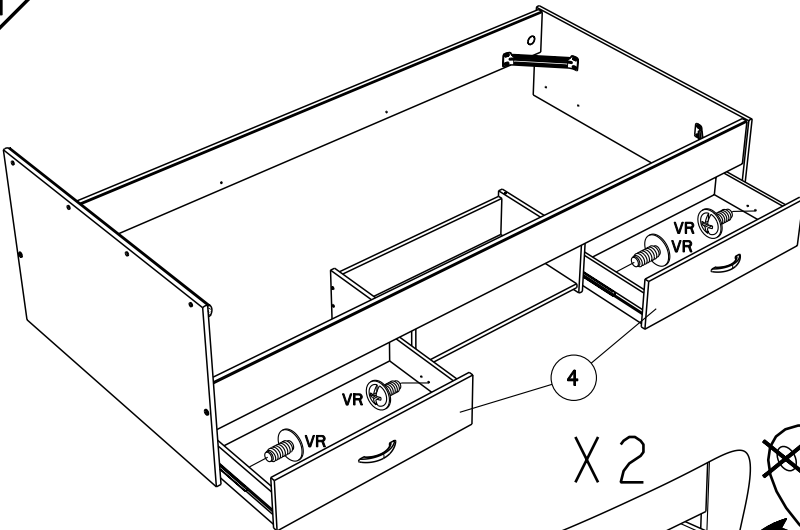


10

x4

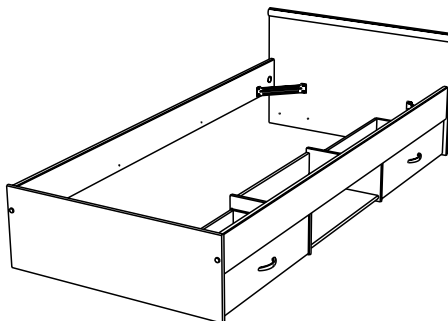


11

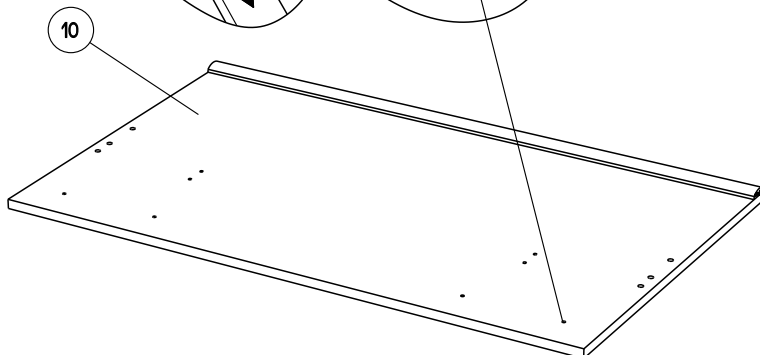
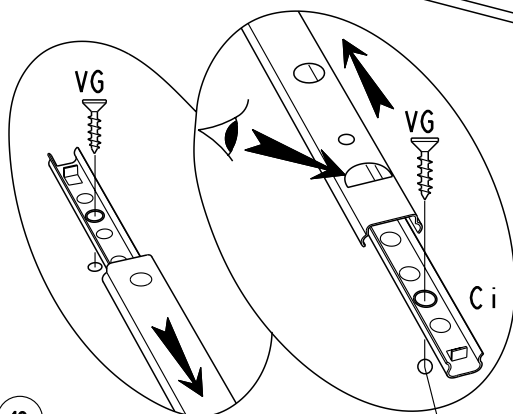
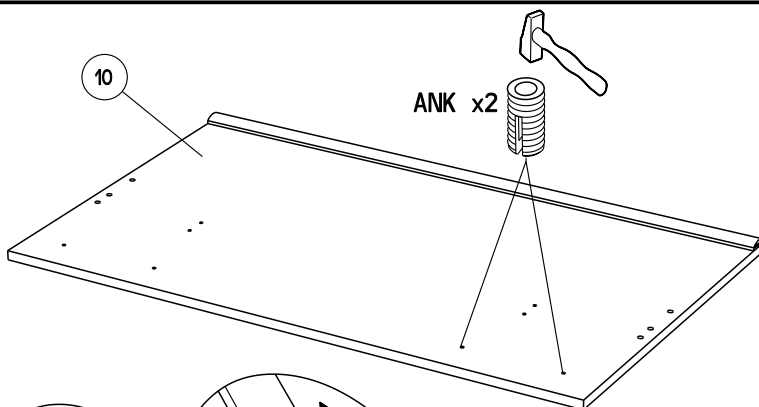


SOLUTION "B"

- ⓐ **SOLUTION "B"**
- ⓓ **LOSUNG "B"**
- ⓔ **SOLUCION "B"**
- Ⓟ **SOLUCAO "B"**
- ⓖ **VERSION "B"**
- Ⓝ **OPLOSSING "B"**



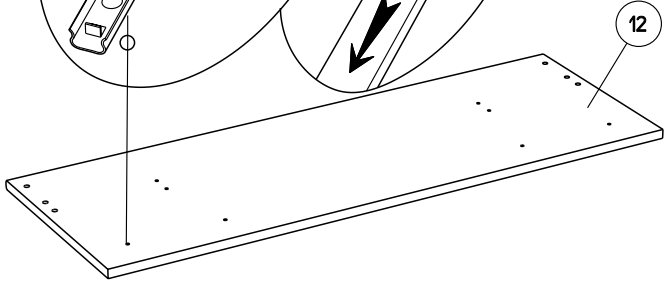
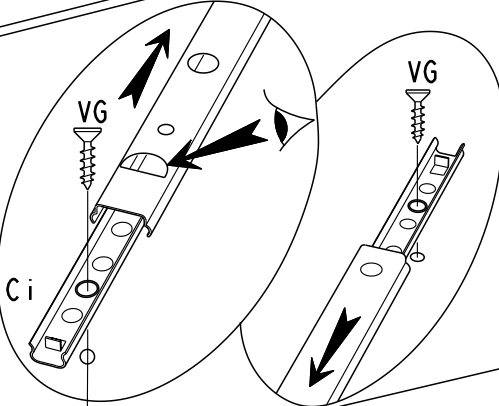
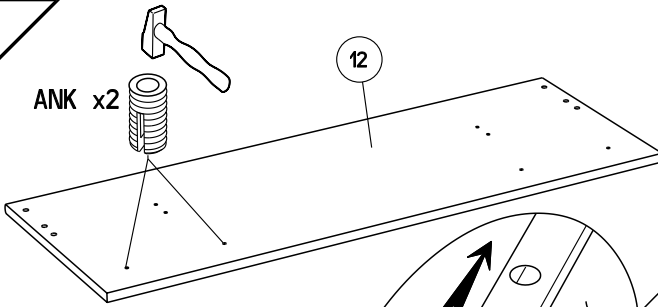
7



8

ANK x2

12



9

10

9

x4

BLZ x 2

VU x 4

12

BLZ x 2

BML x 2

