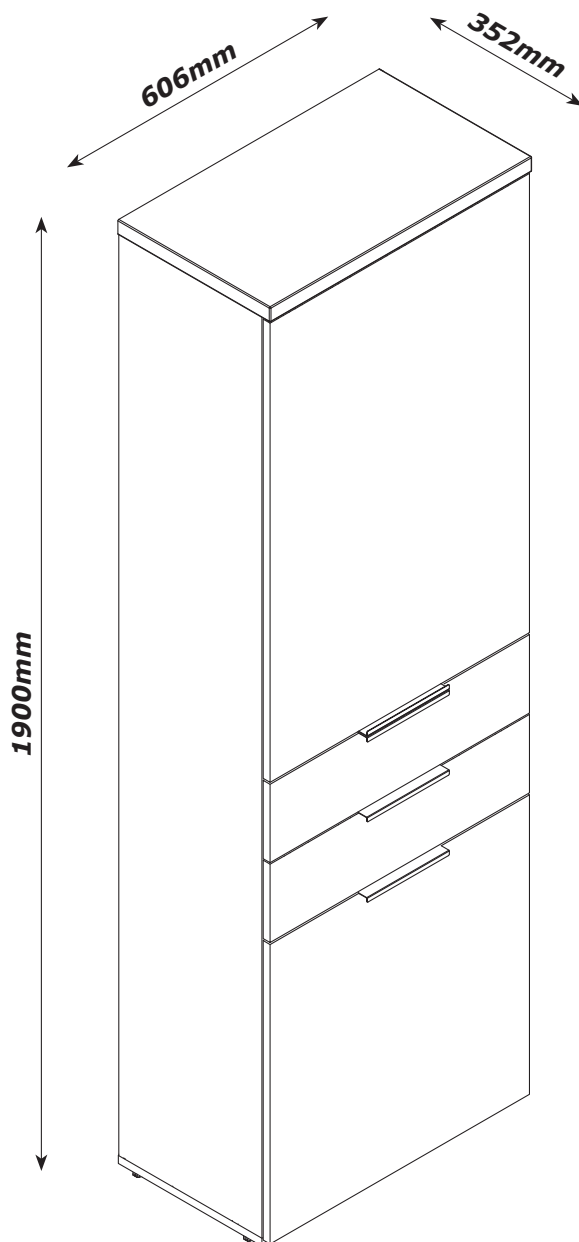
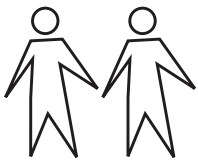


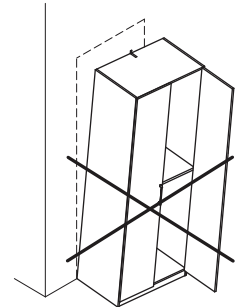
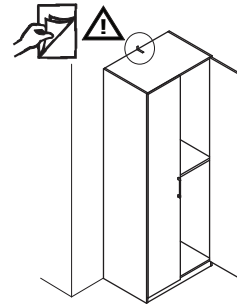
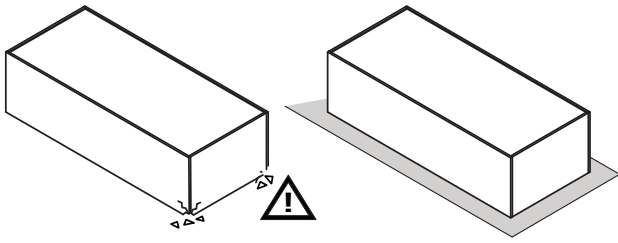
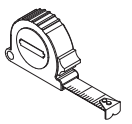
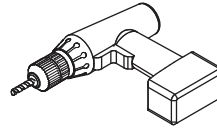
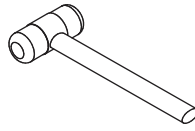
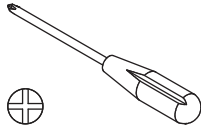
AR3503K73704



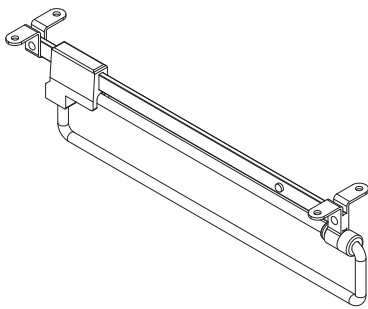
QF5442



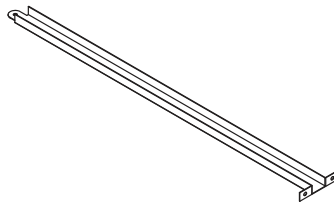
2h



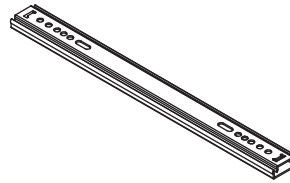
BU4591



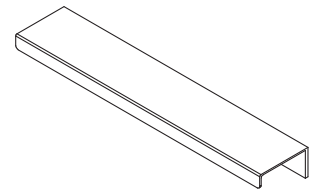
R55
x1



W404
x2

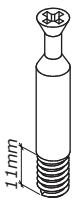


A47
x4

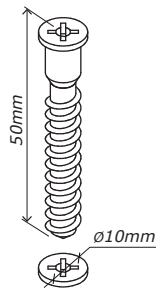


M94
x4

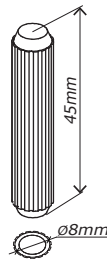
BU4555



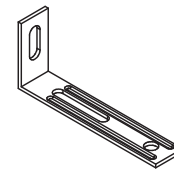
T28
x12



V45
x4



H325
x12



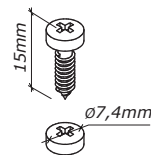
H185
x1



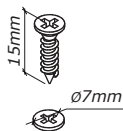
T94
x4



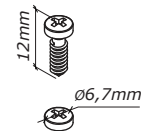
P39
x4



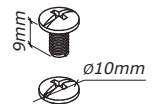
V81
x2



V5
x46



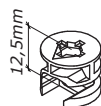
V98
x10



V38
x4



R40
x8



T7
x8



T78
x4



H54
x22



H2
x30



H129
x2



H139
x4



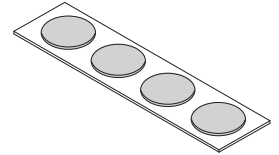
H113
x8



G57
x4



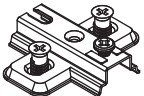
G31
x4



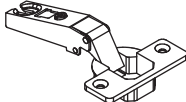
G174
x4

BU4211

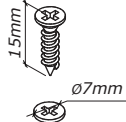
BU3494



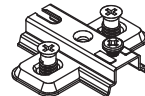
B30
x3



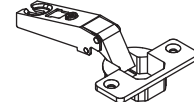
C66
x3



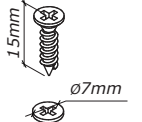
V5
x6



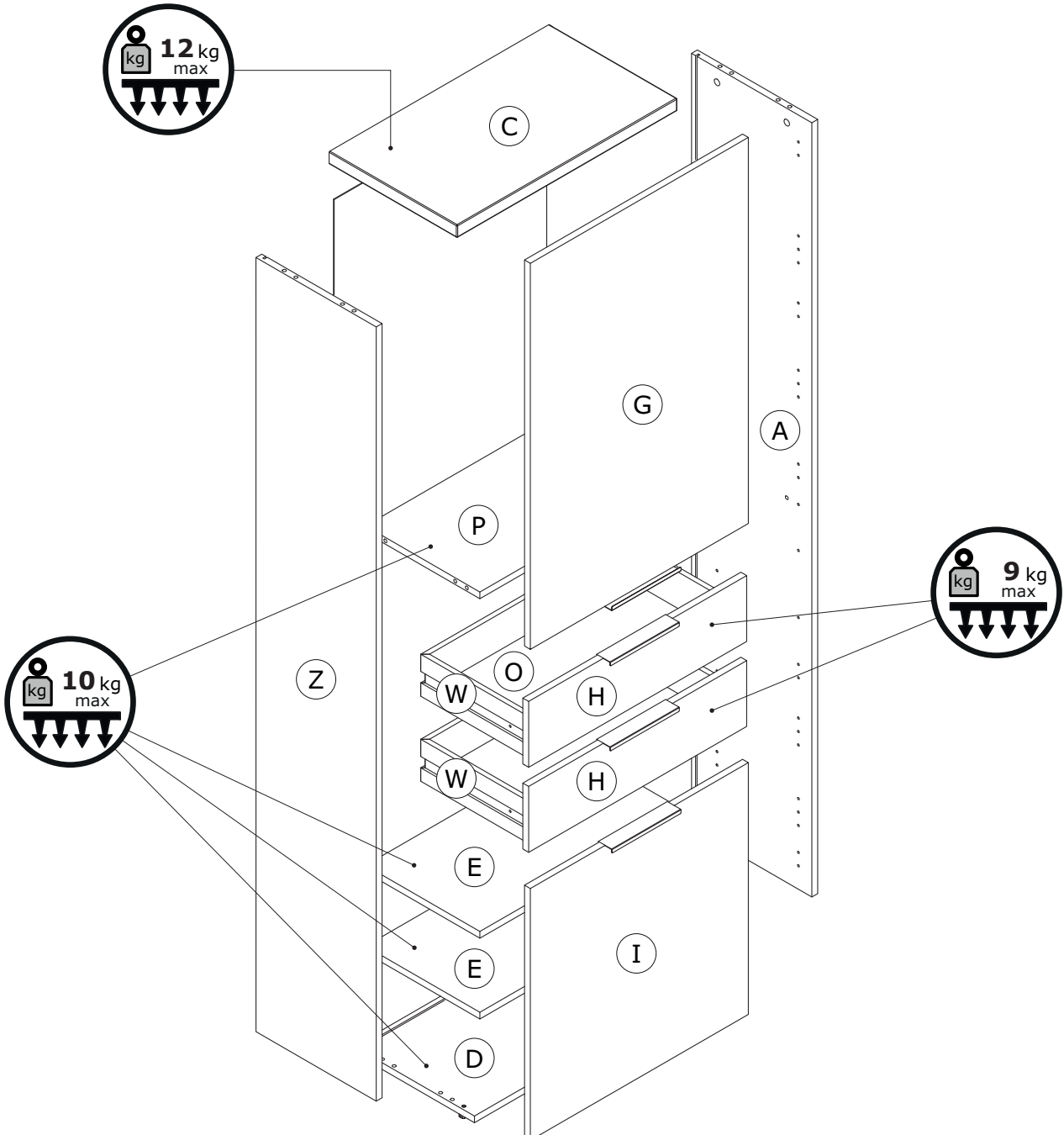
B30
x2

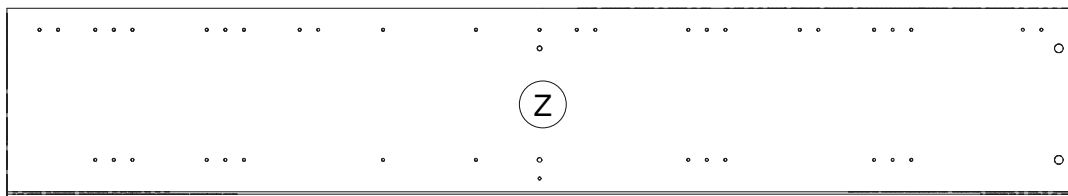


C66
x2

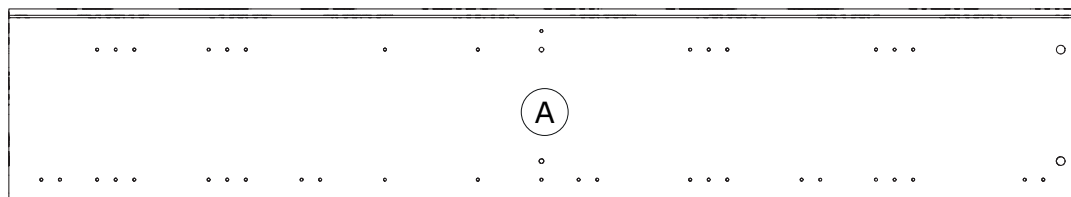


V5
x4

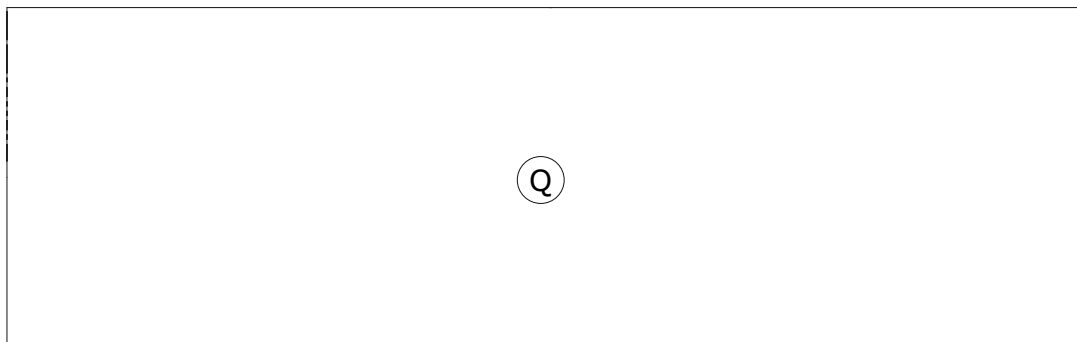




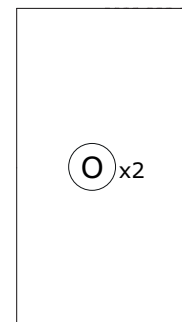
FI8961
1845x331x16mm



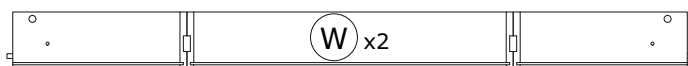
FI8959
1845x331x16mm



SH3503
1859x585x2mm

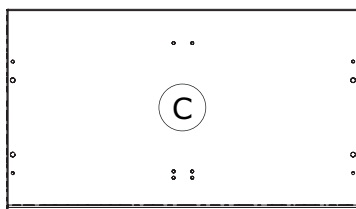


SH3504
549x301x2mm

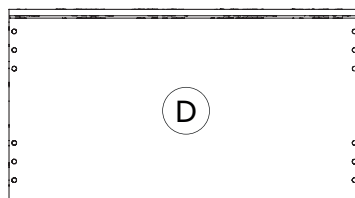


OF0614
300x566x300mm H.100mm

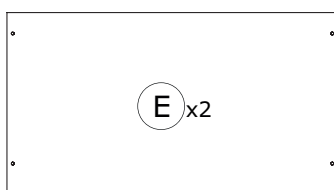
BOX 1/2



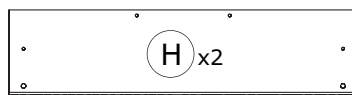
CA3720
606x352x30mm



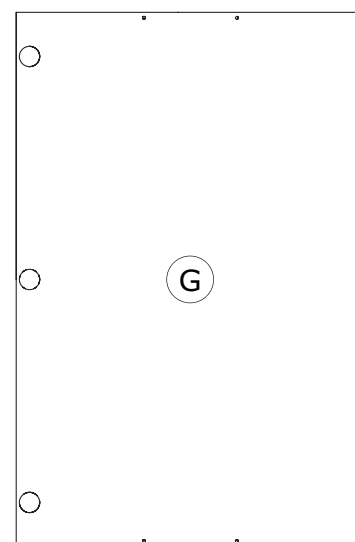
BA2268
604x332x16mm



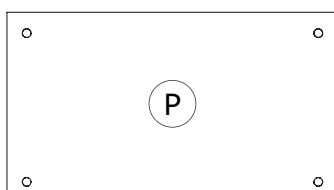
PI7294
570x315x16mm



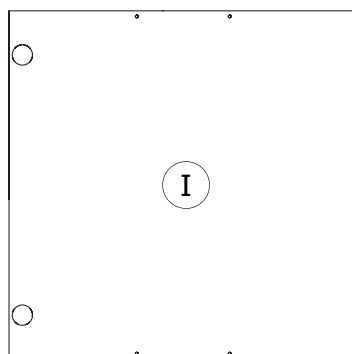
CS3741
600x157x16mm



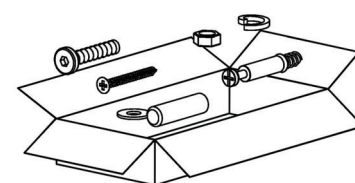
AN3000
920x600x16mm



PI7293
570x315x16mm

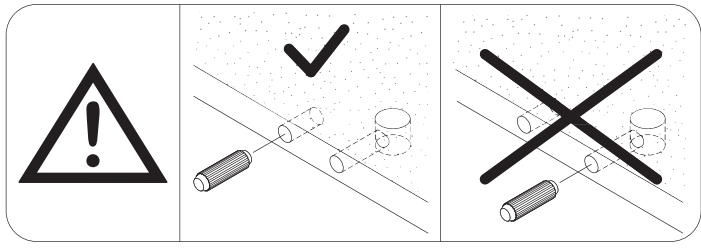
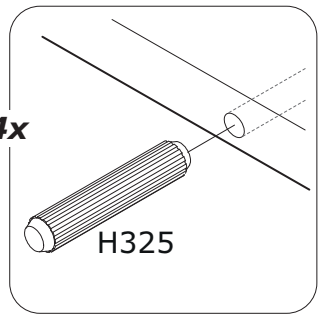
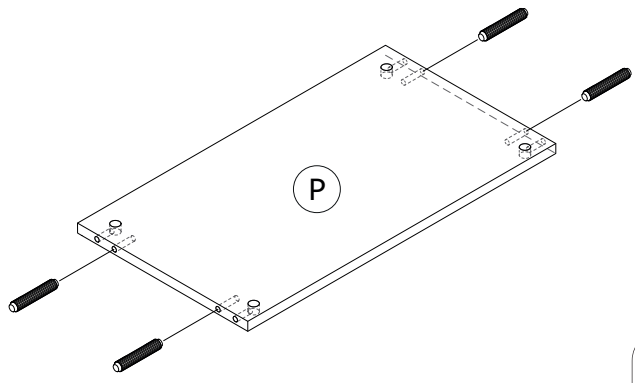
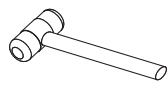


AN3002
600x600x16mm

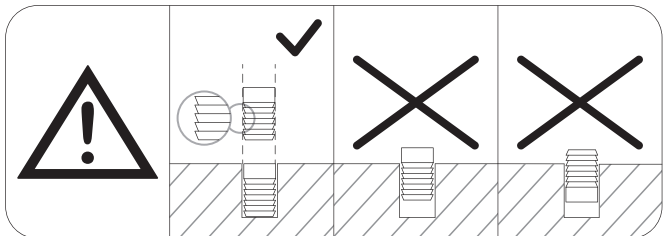
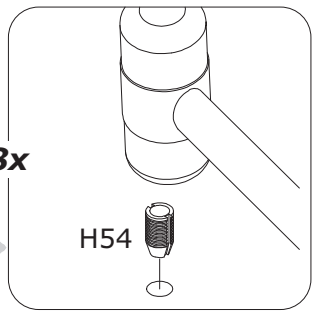
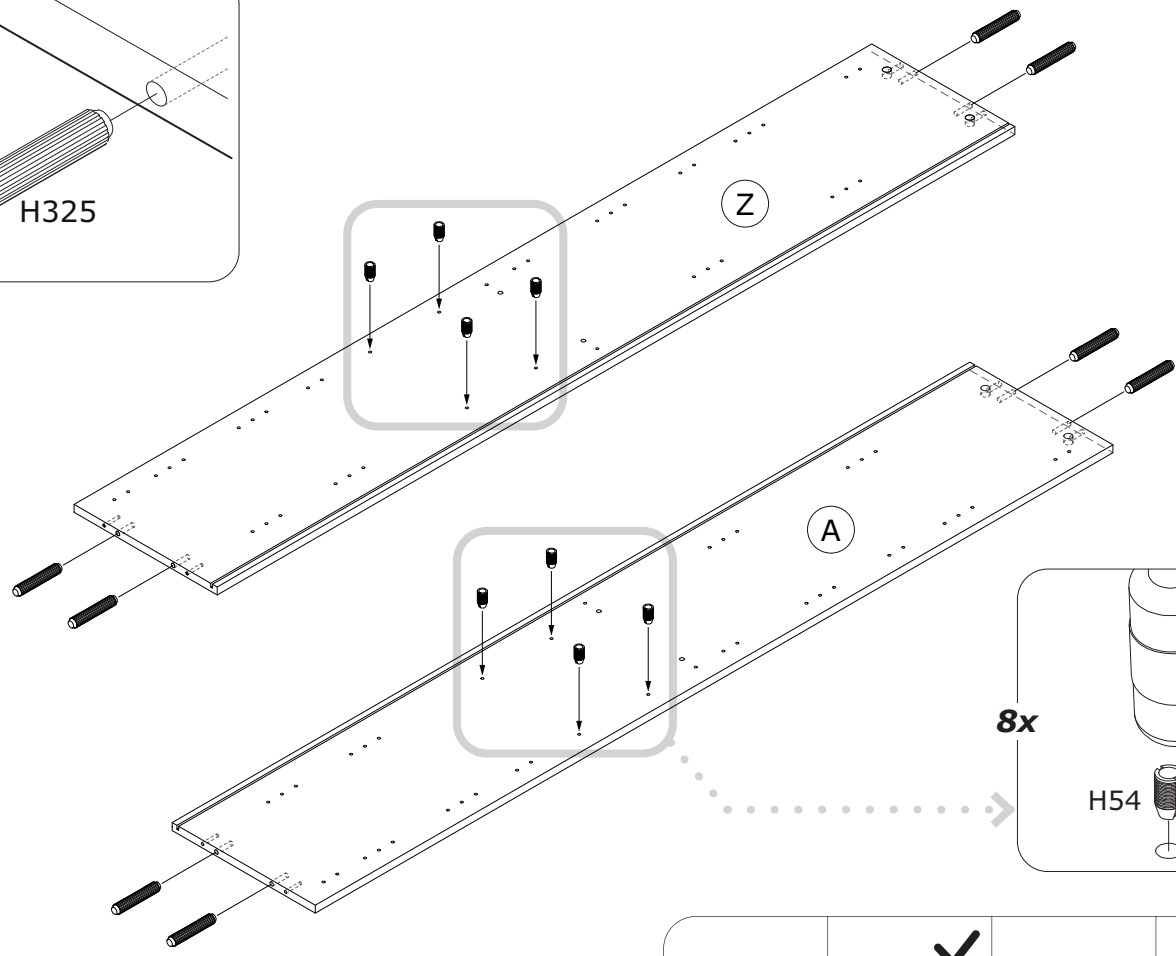
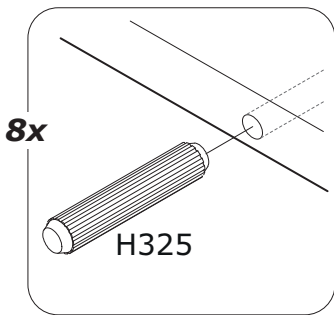
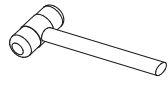


BOX 2/2

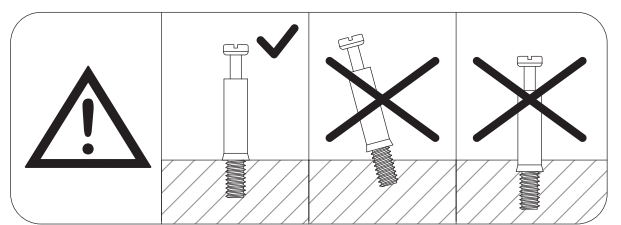
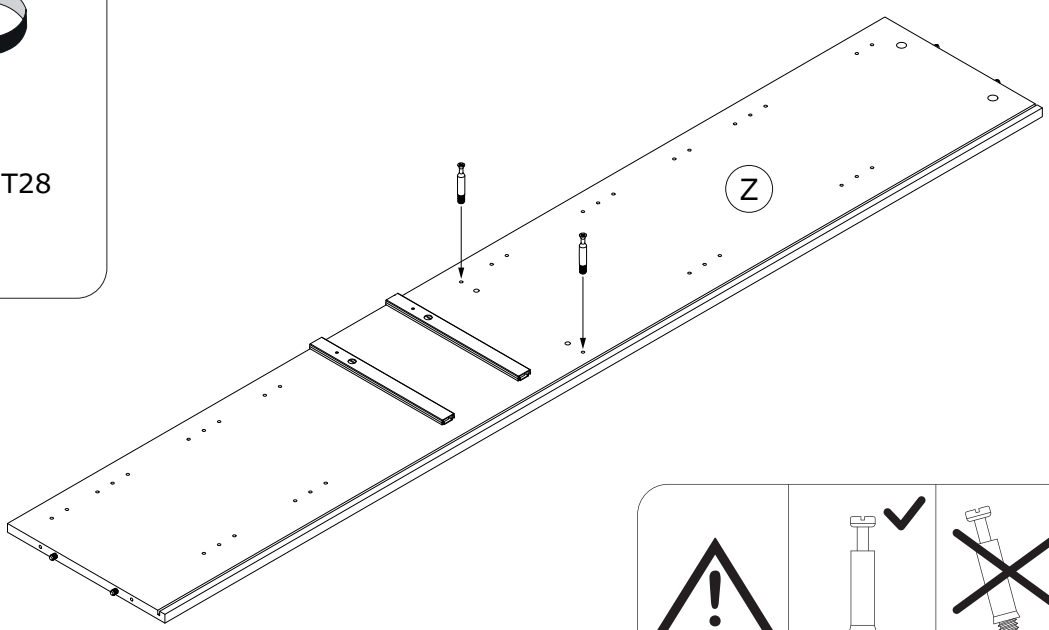
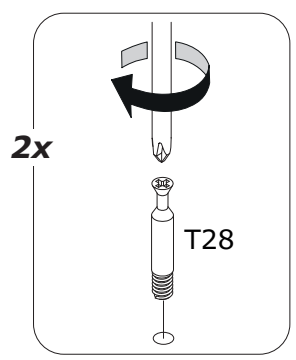
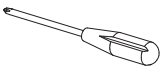
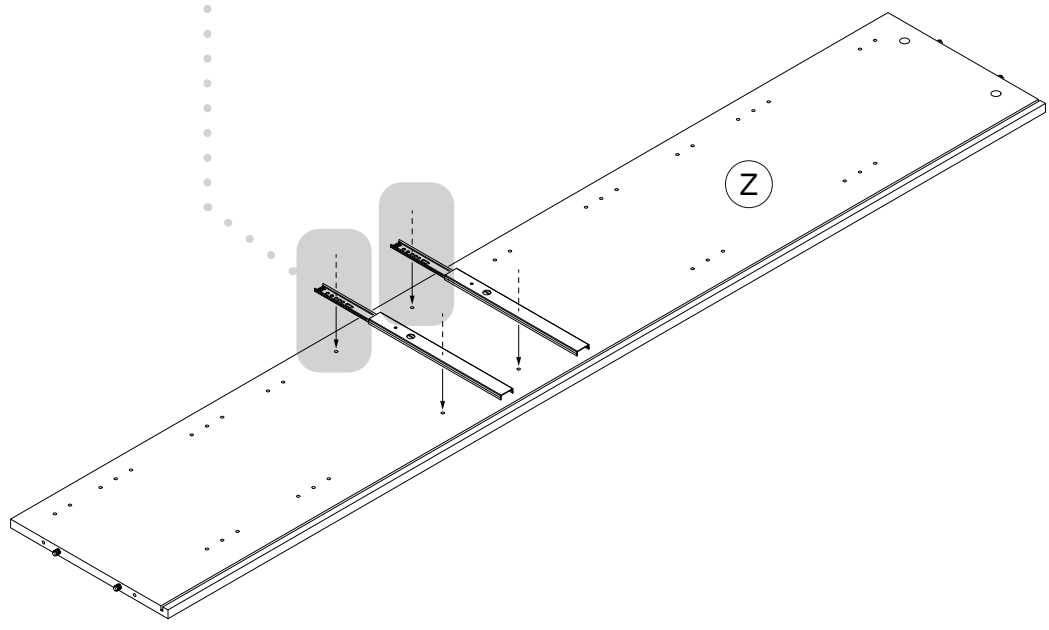
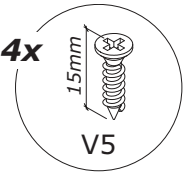
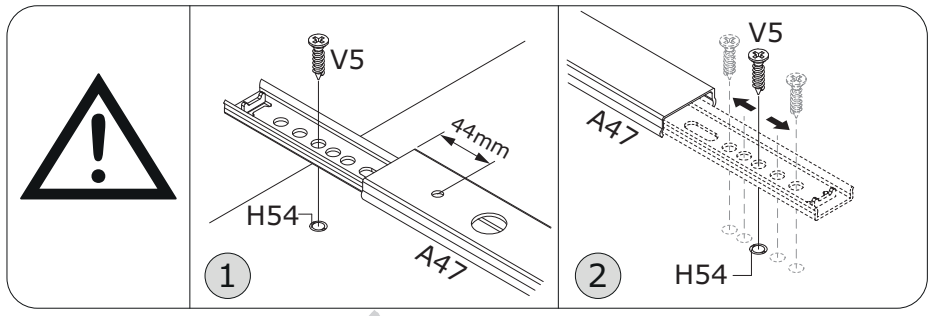
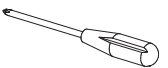
1



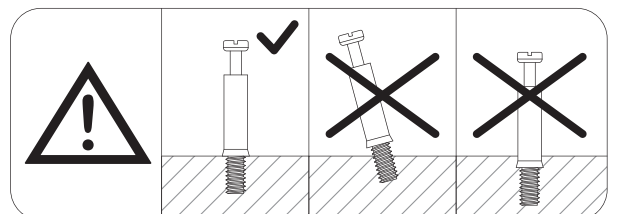
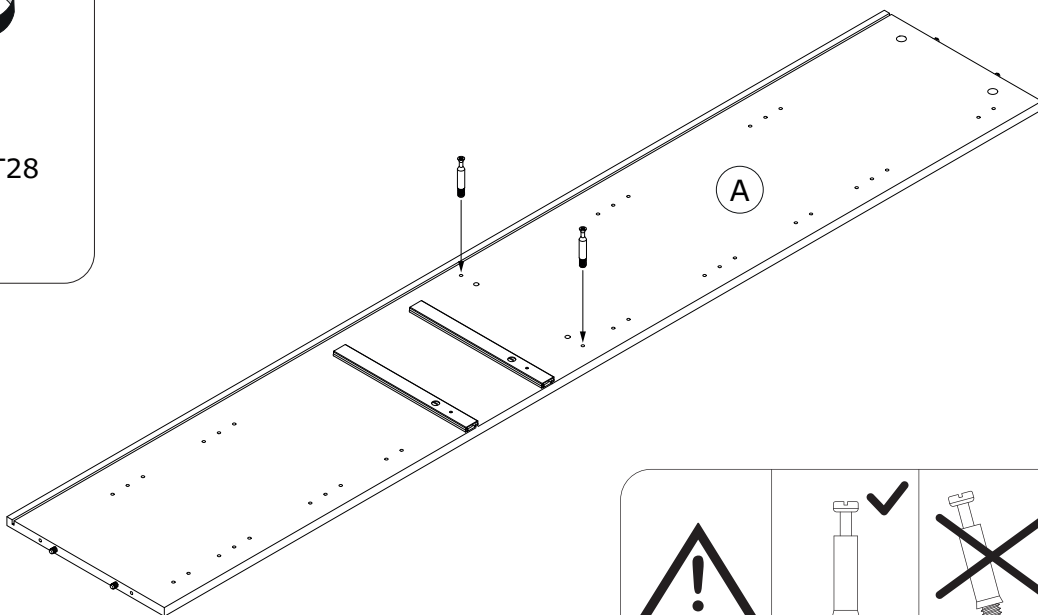
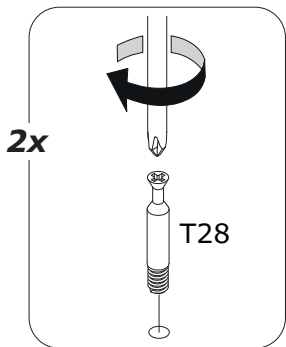
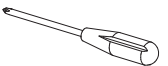
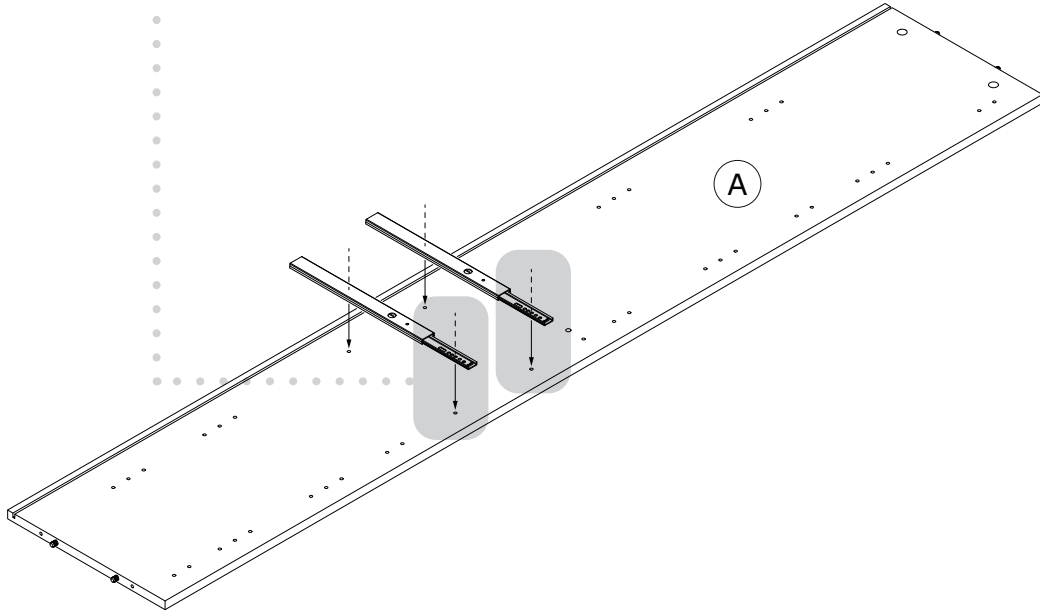
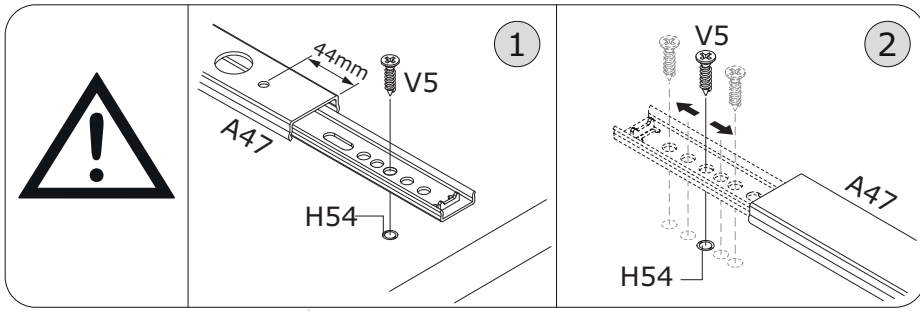
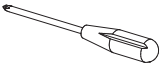
2



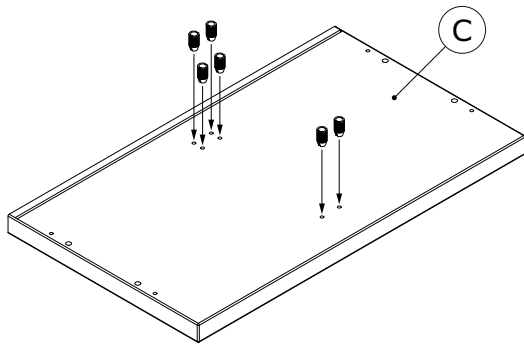
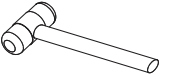
3



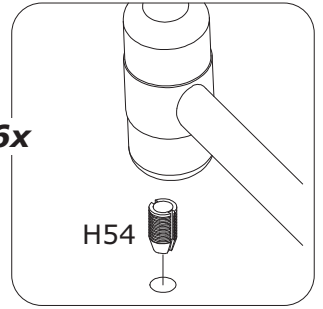
4



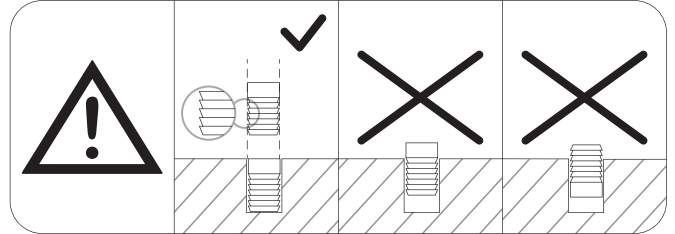
5



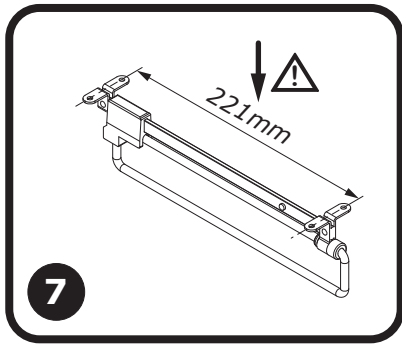
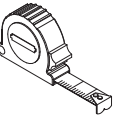
6x



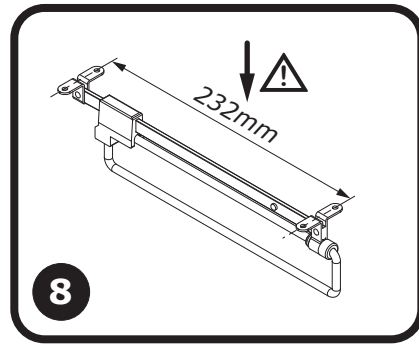
H54



6

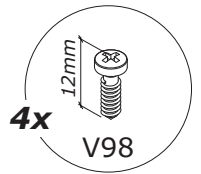
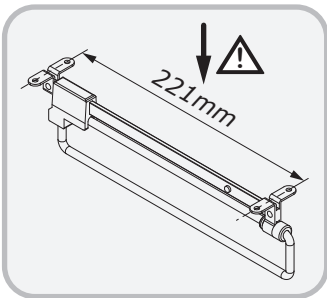
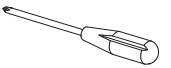


7



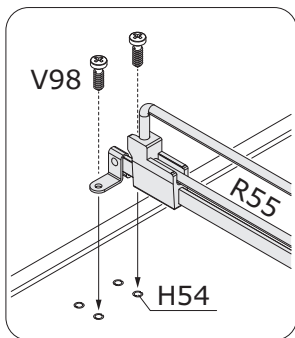
8

7



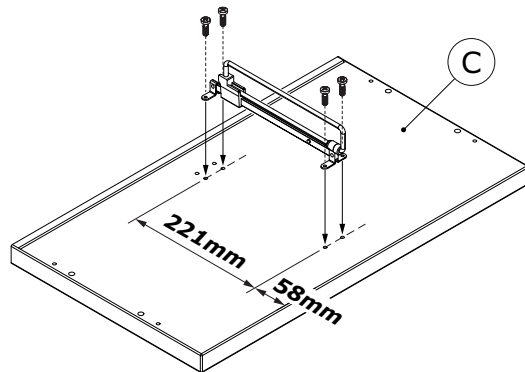
4x

V98



V98

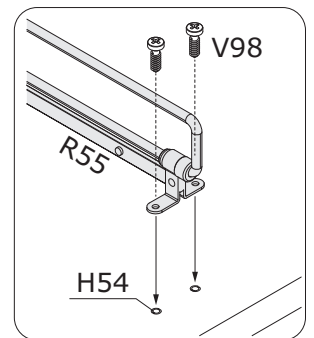
H54



C

221mm

58mm

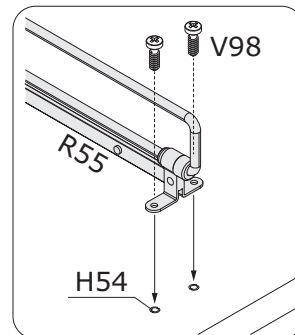
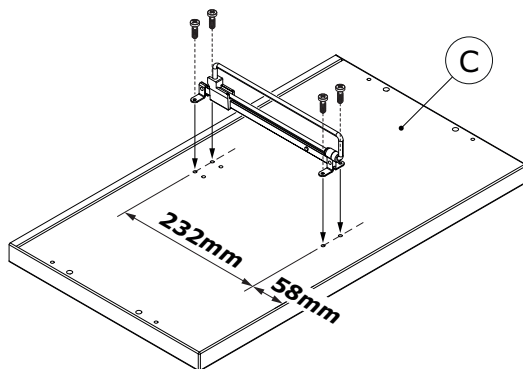
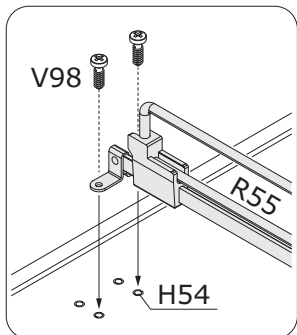
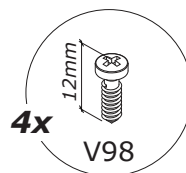
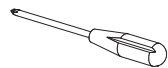
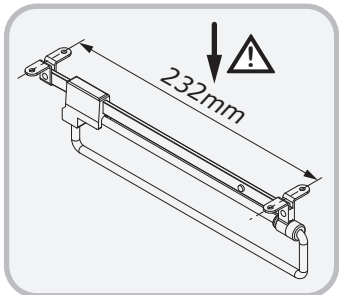


V98

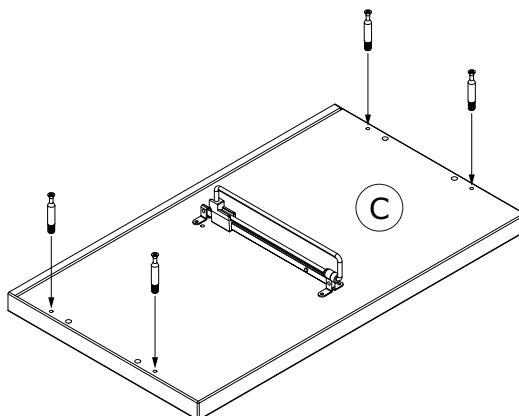
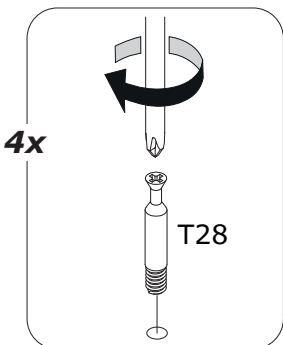
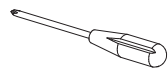
H54

R55

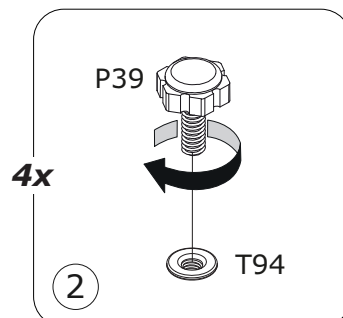
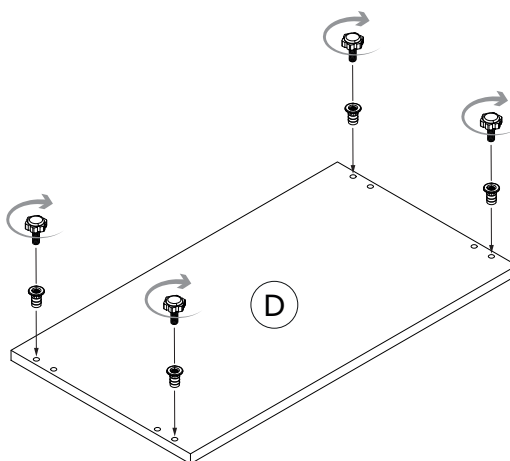
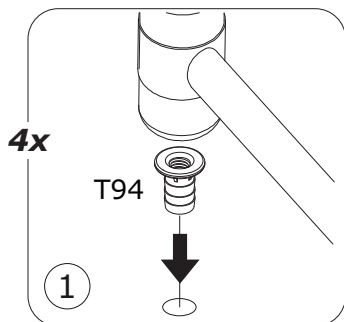
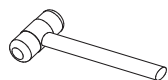
8



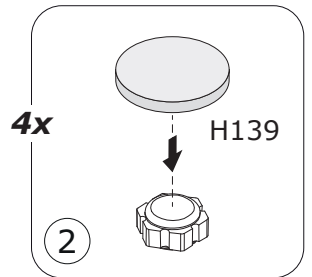
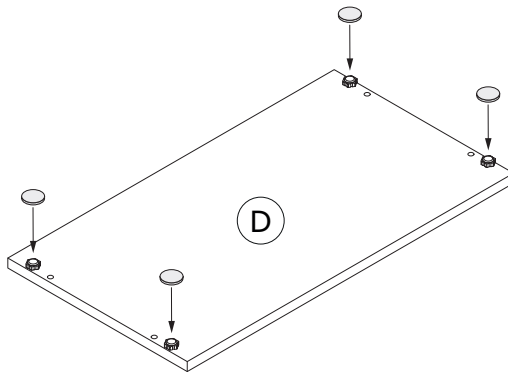
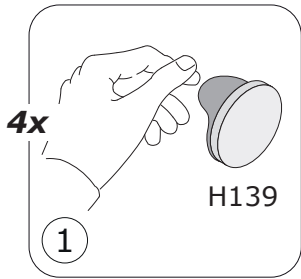
9



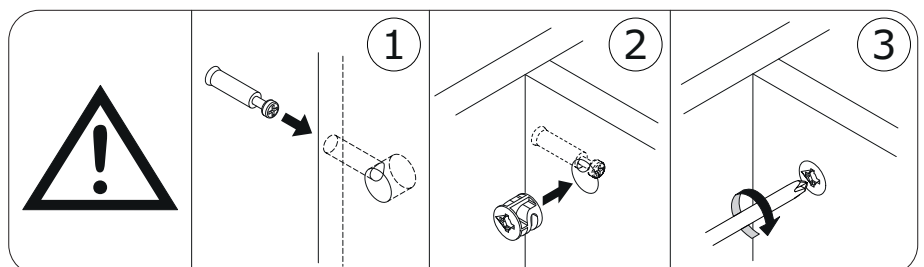
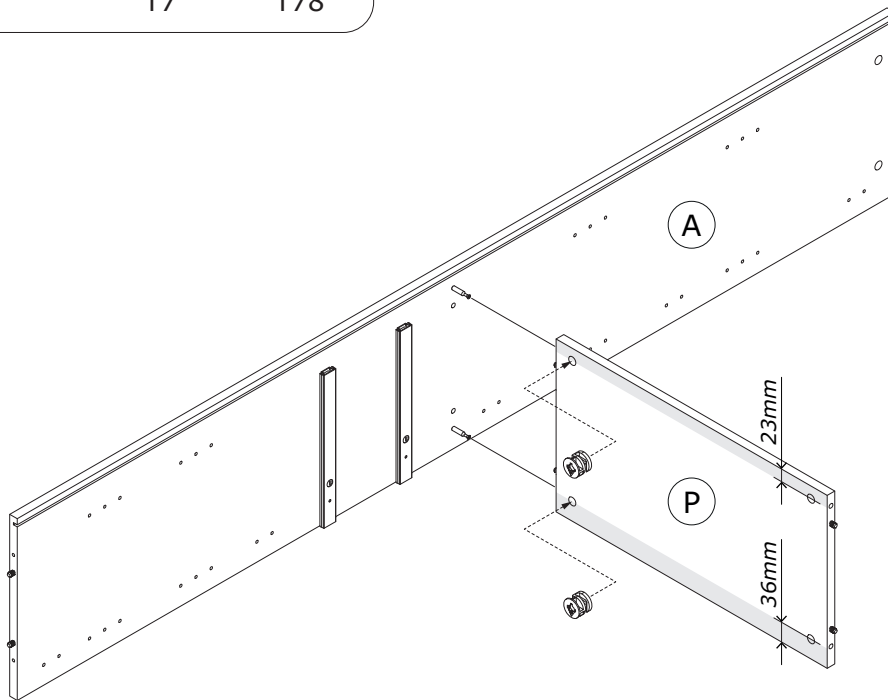
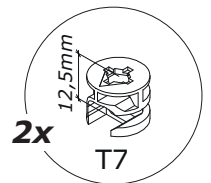
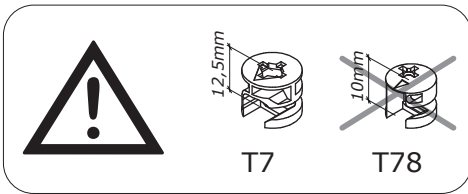
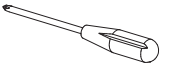
10

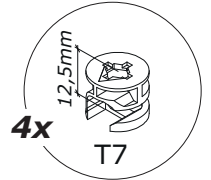
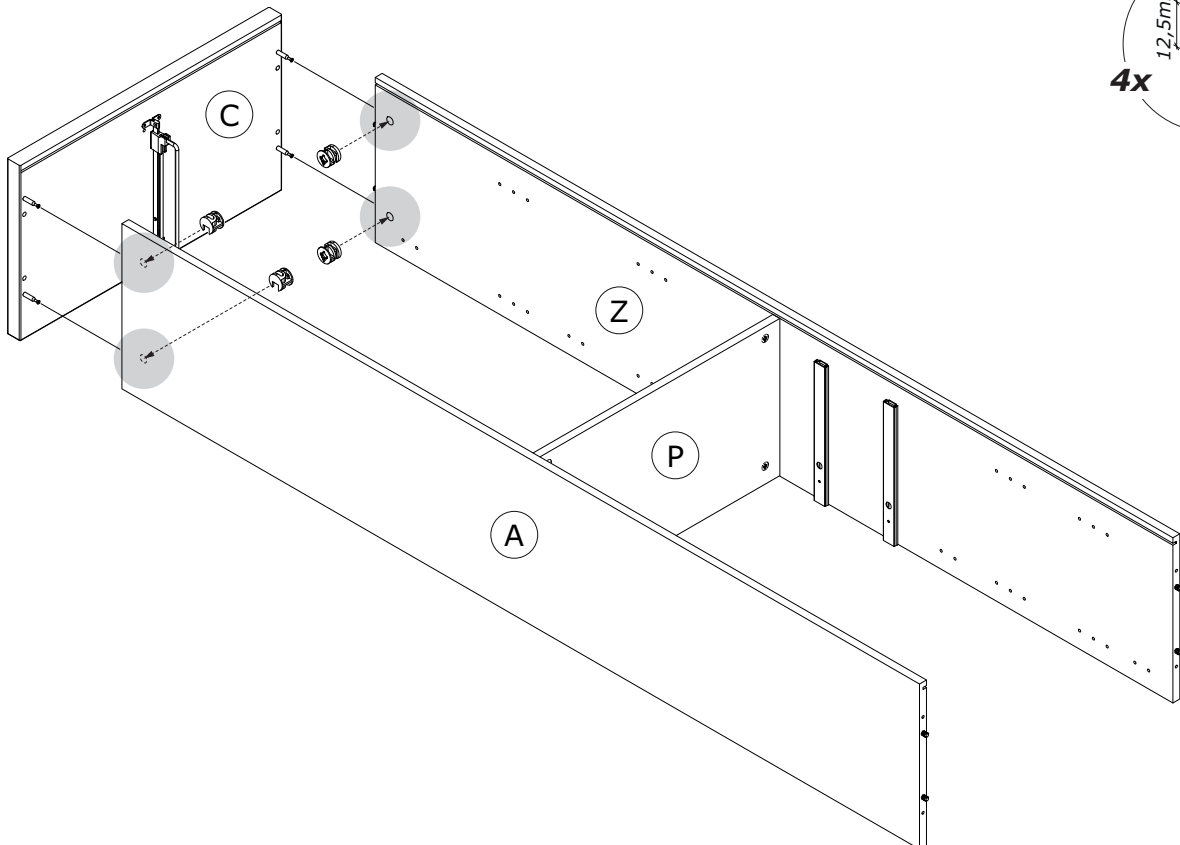
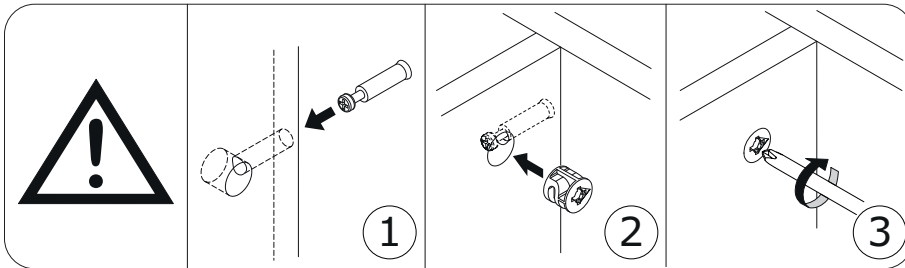
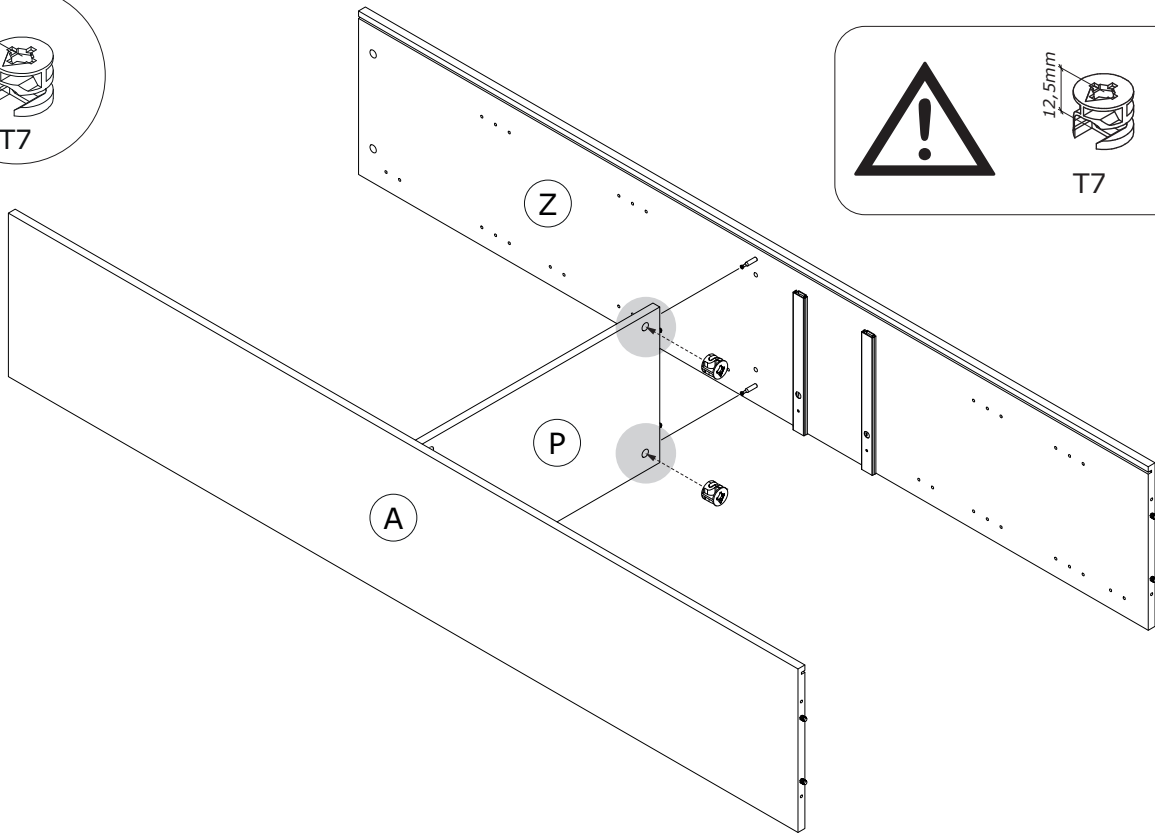
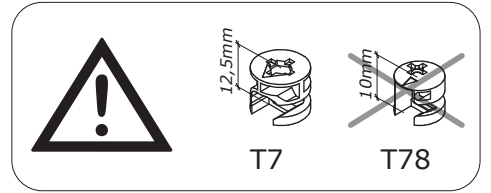
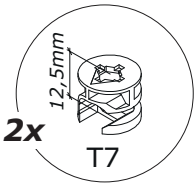
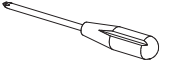


11

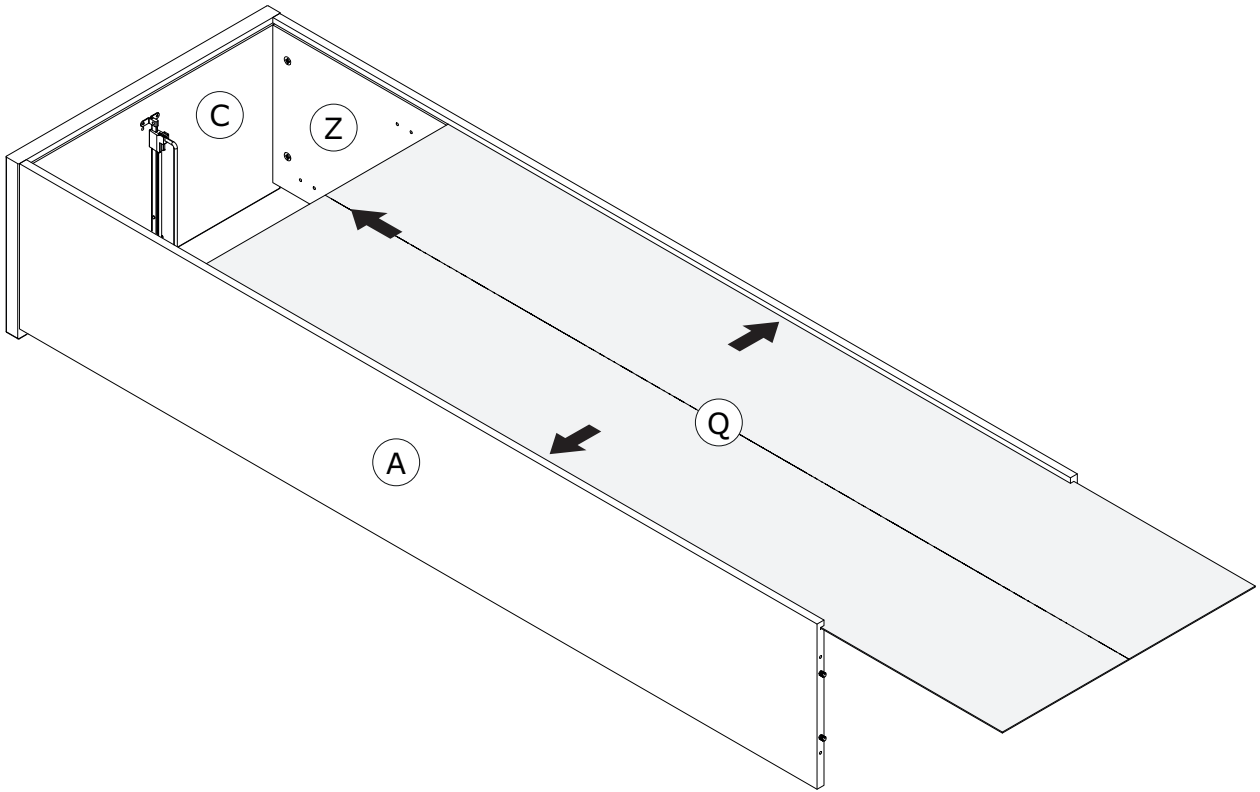


12

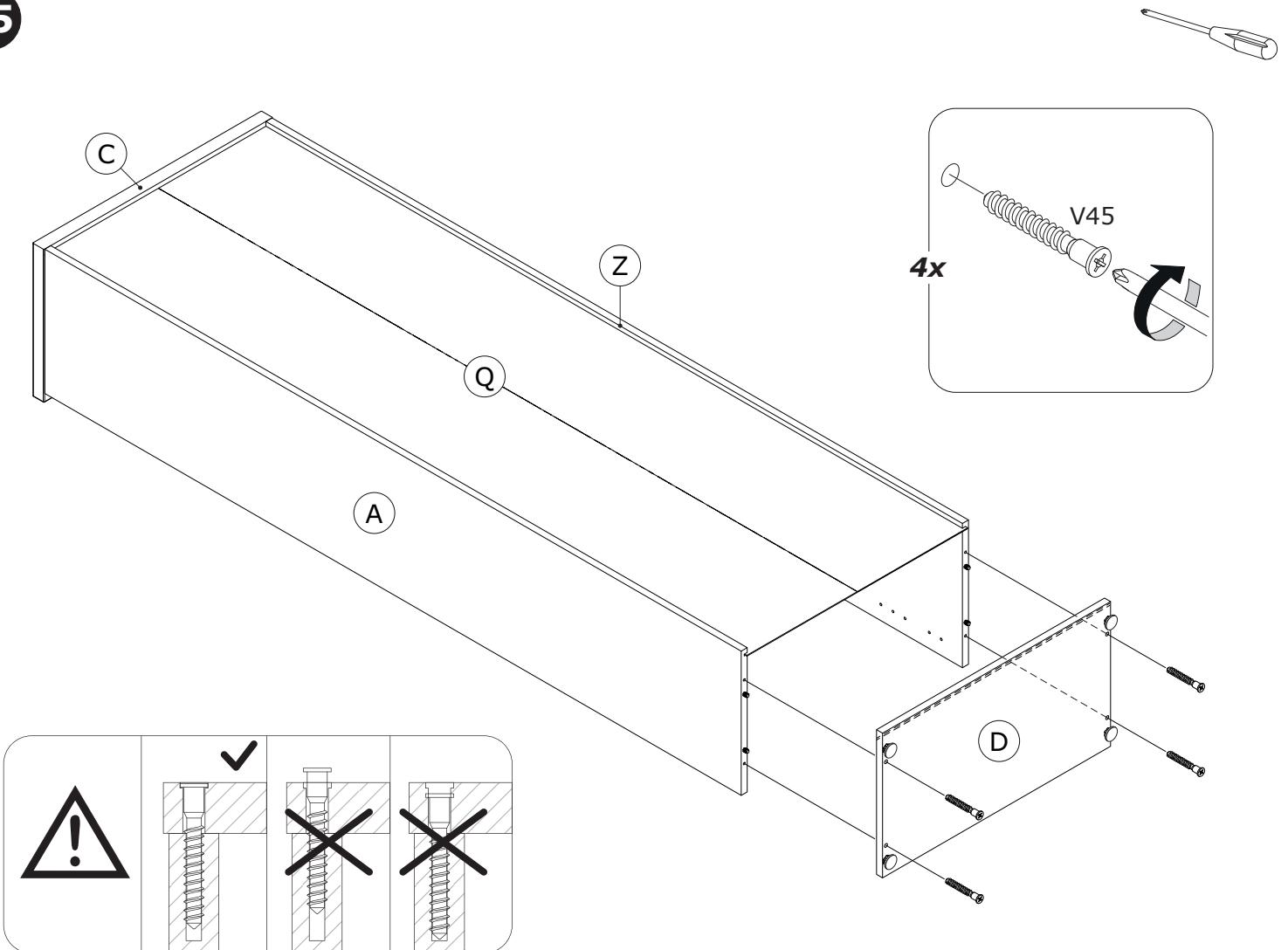


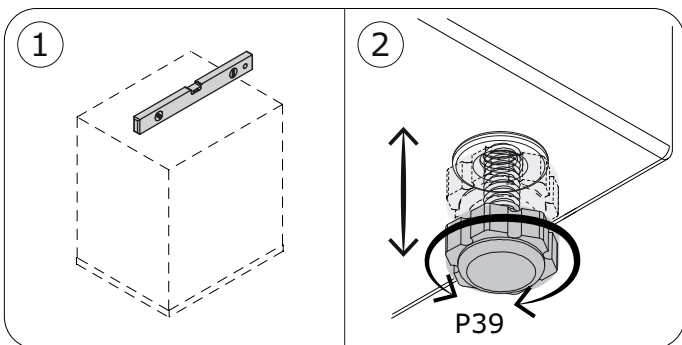
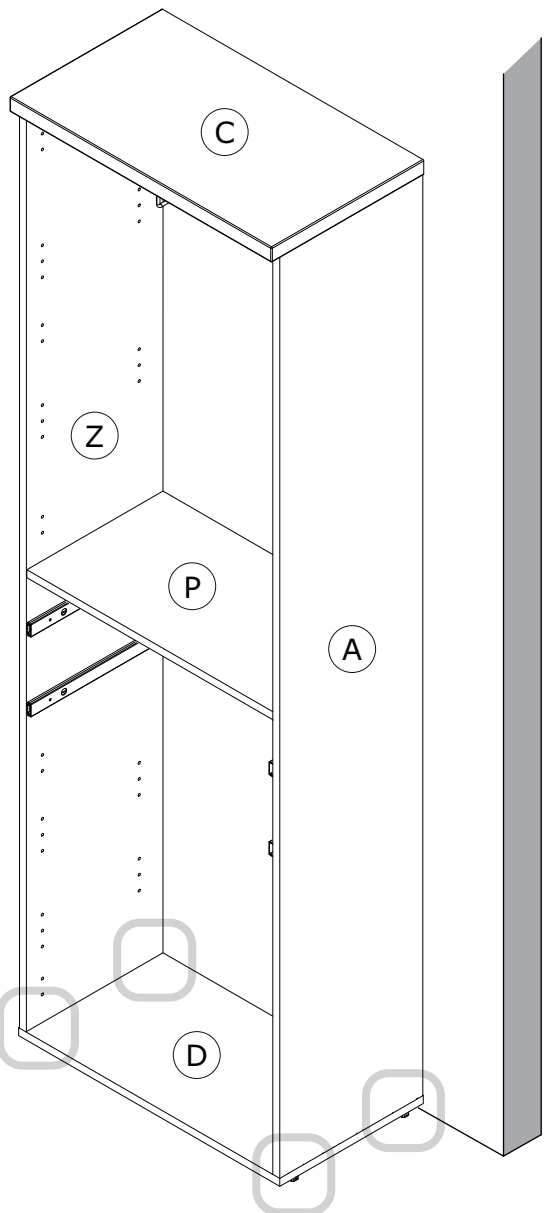
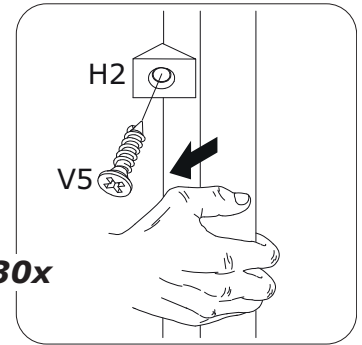
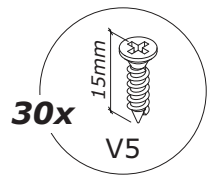
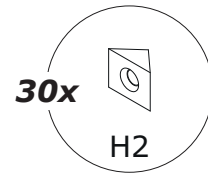
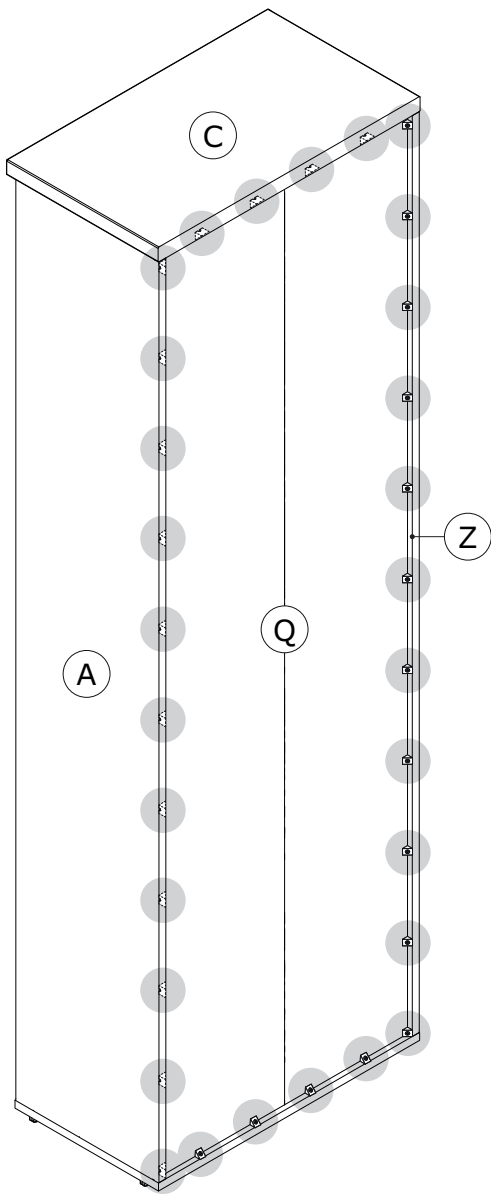
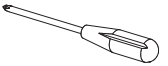


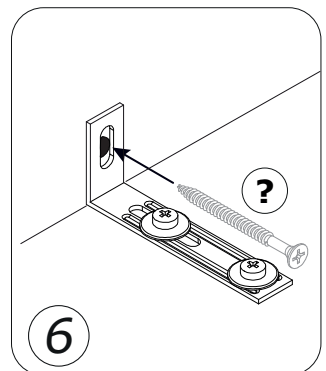
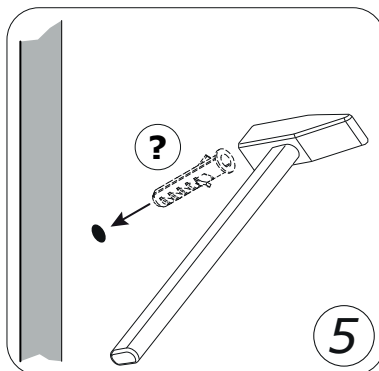
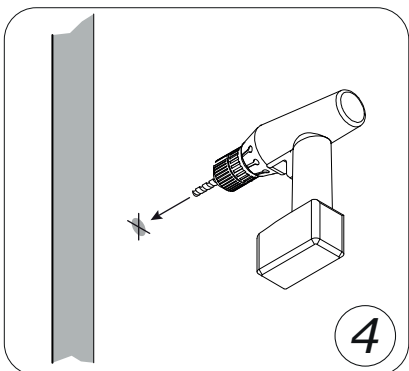
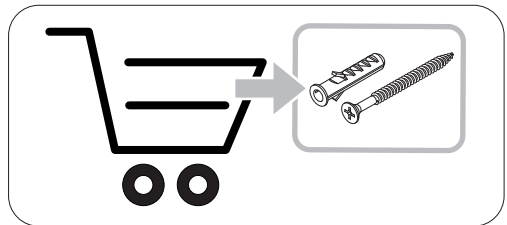
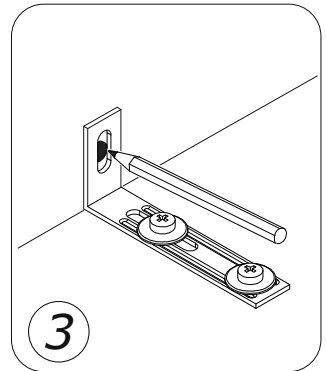
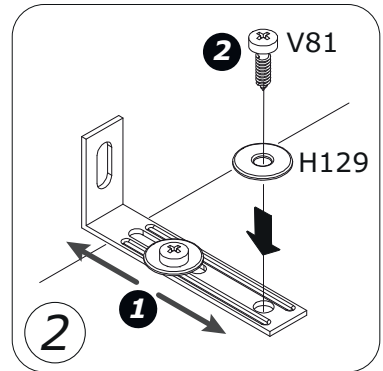
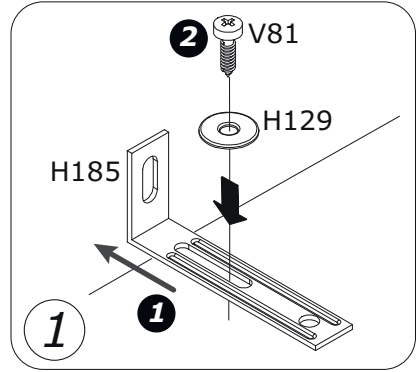
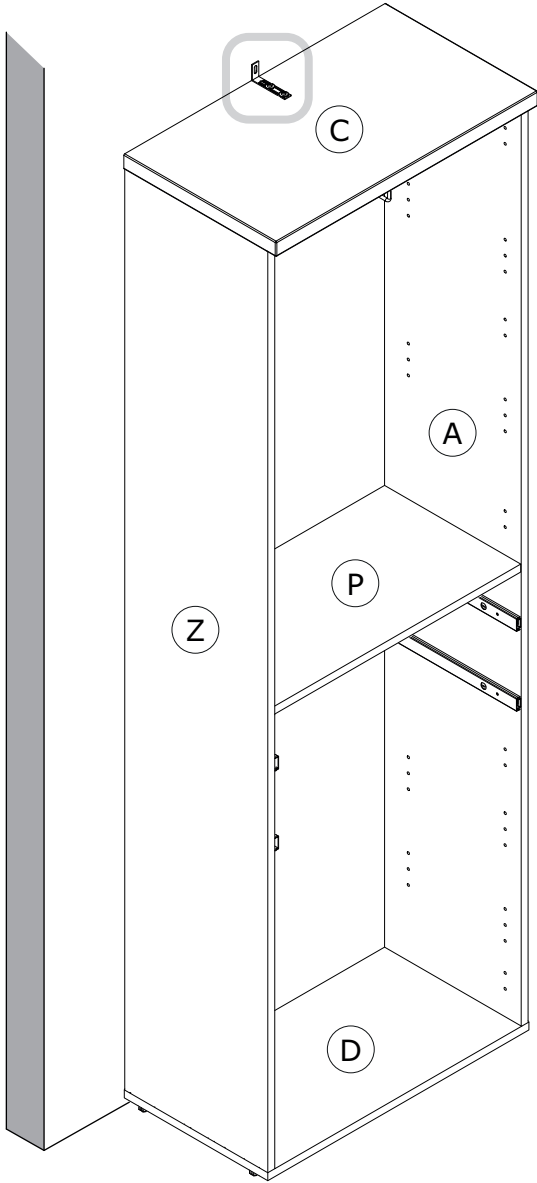
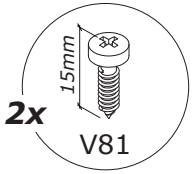
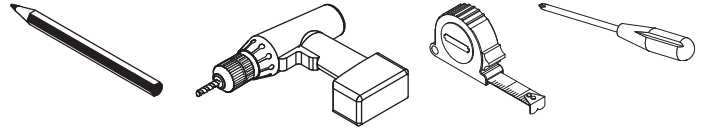
14

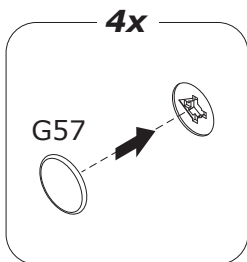
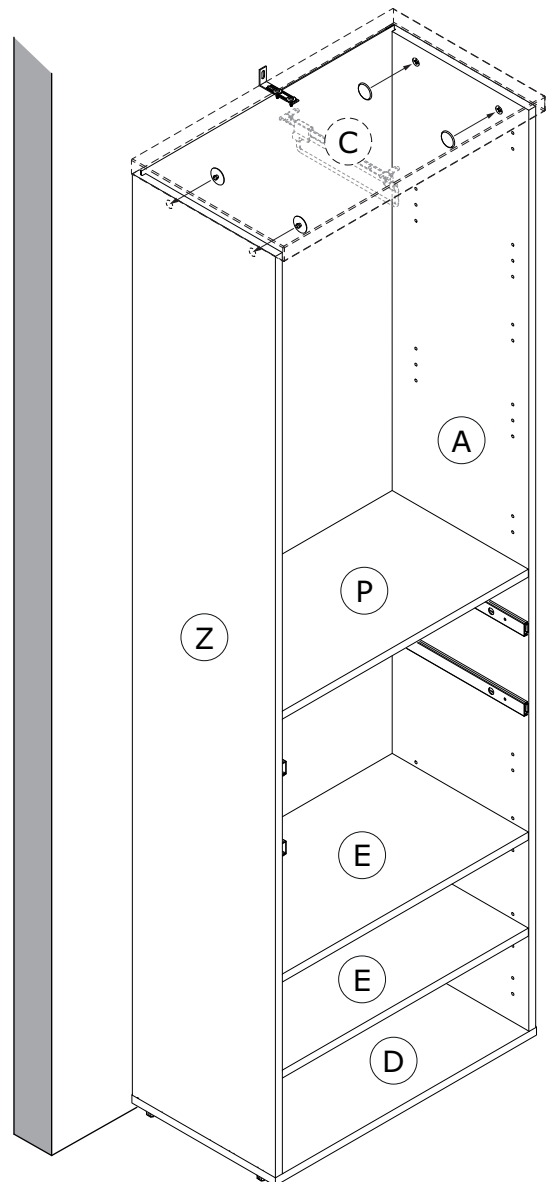
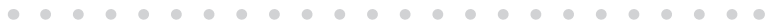
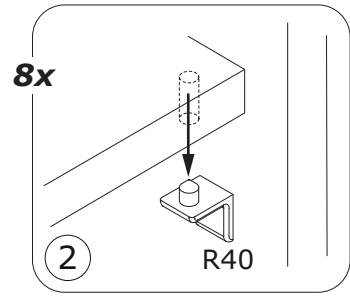
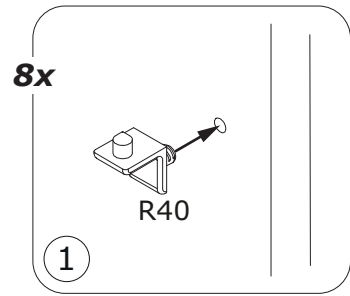
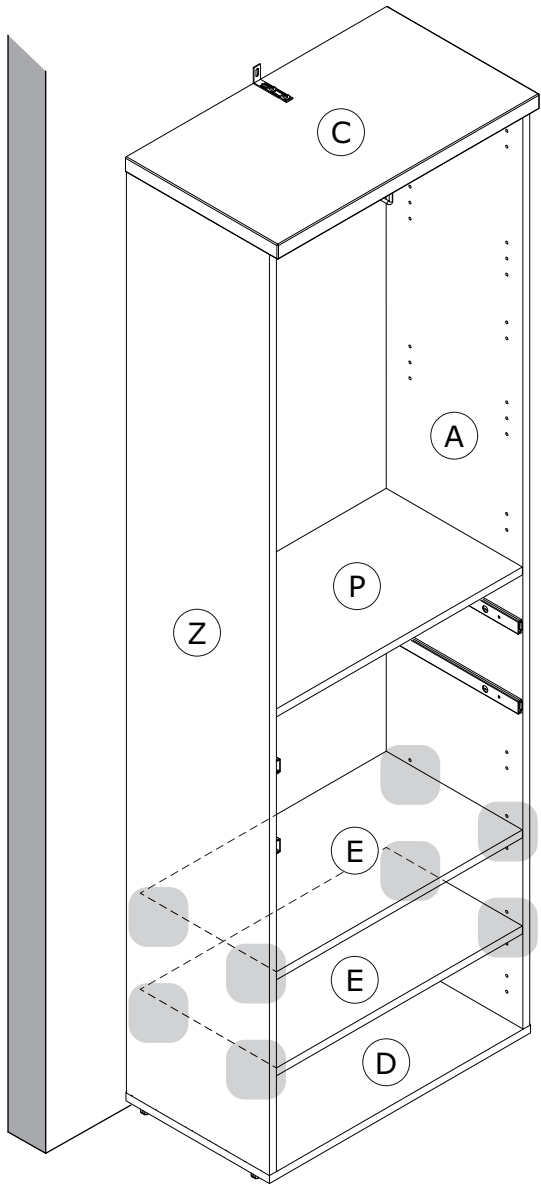
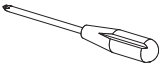


15

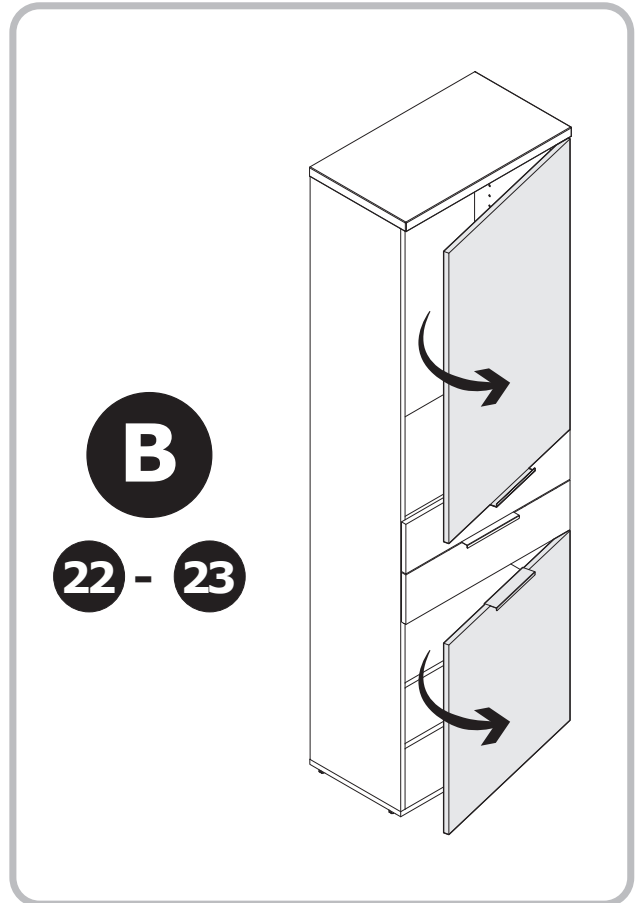
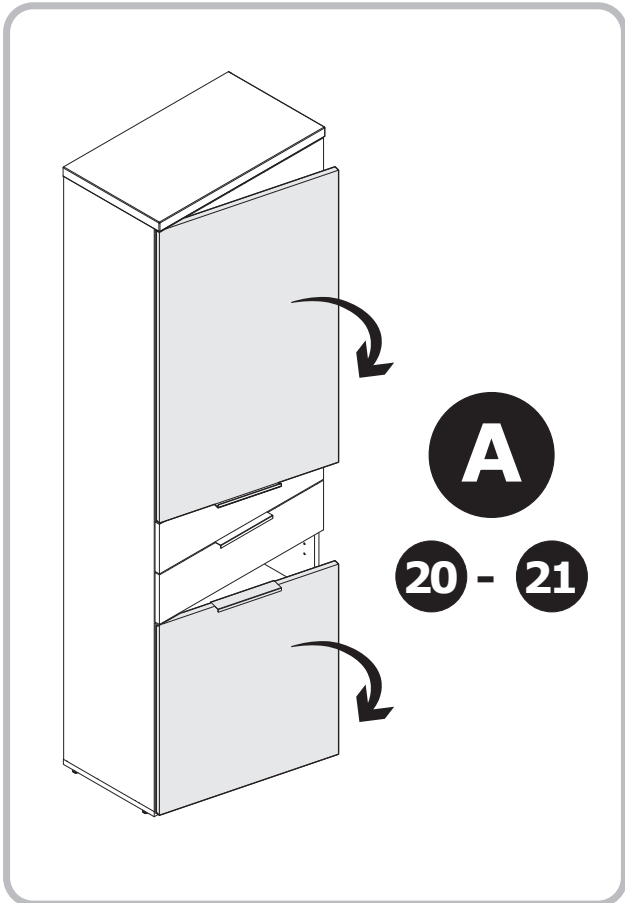
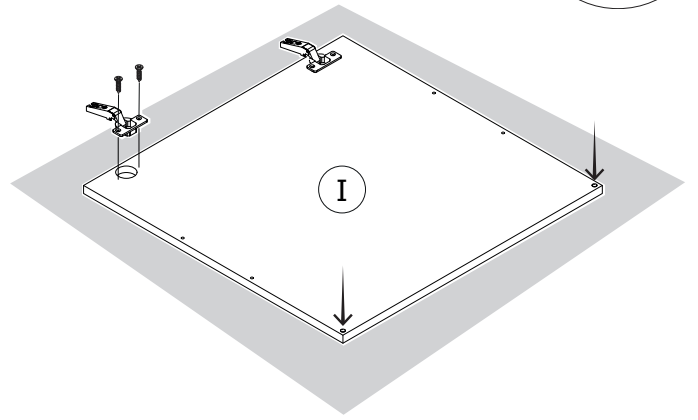
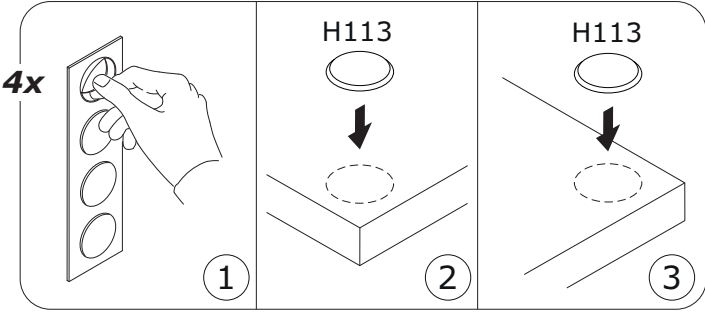
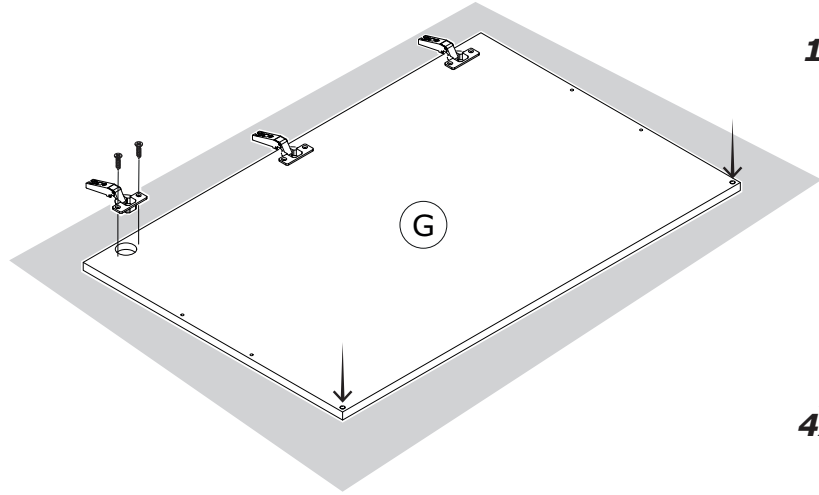
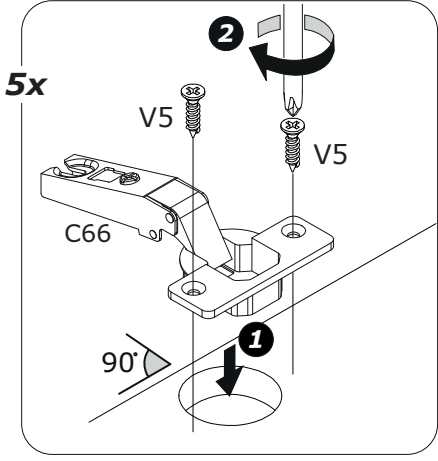
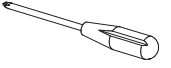


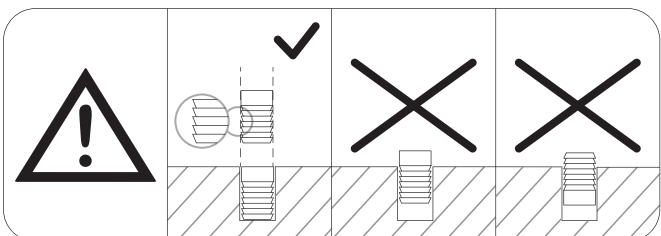
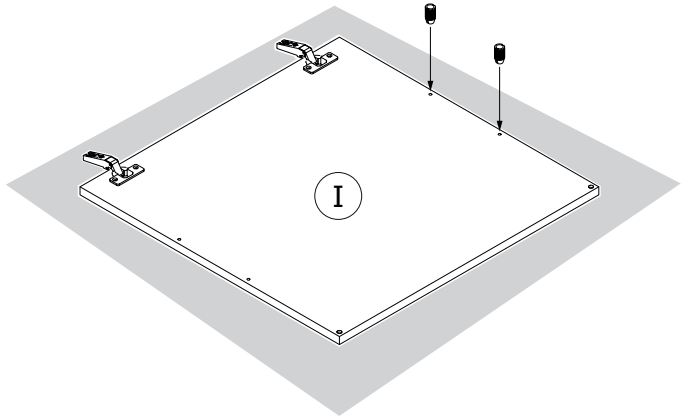
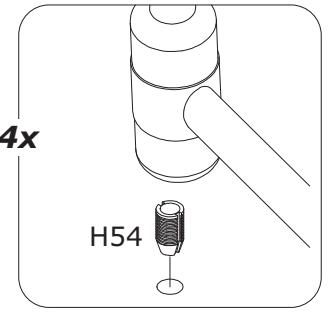
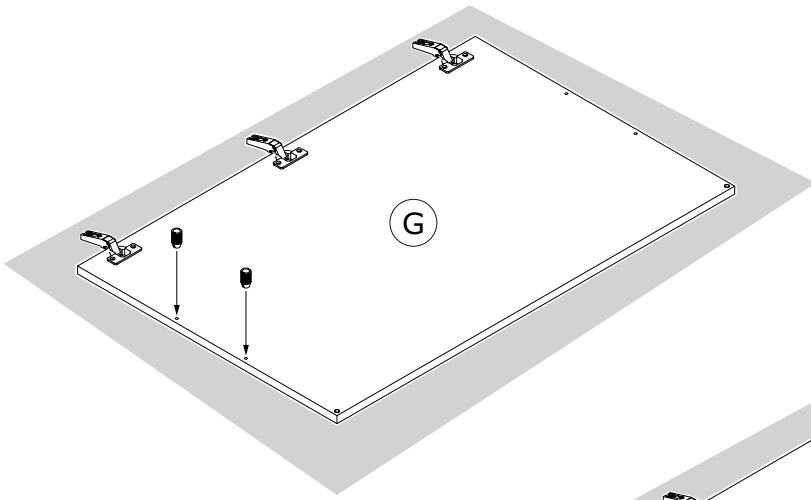
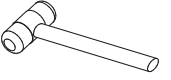
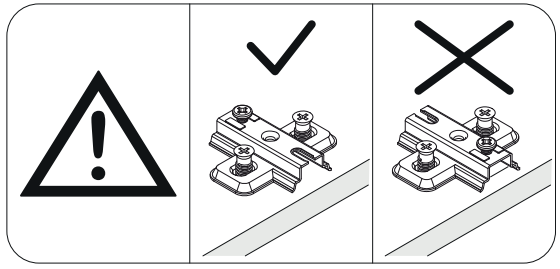
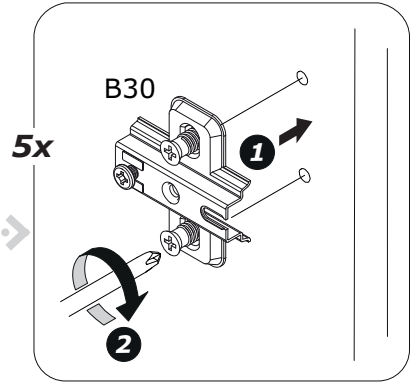
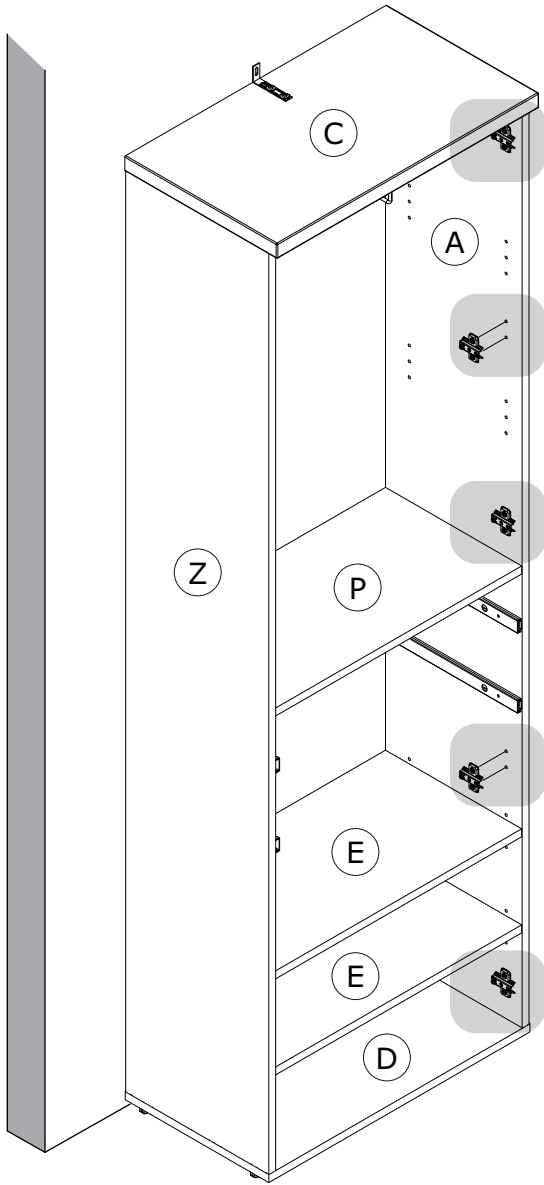
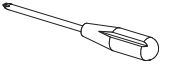




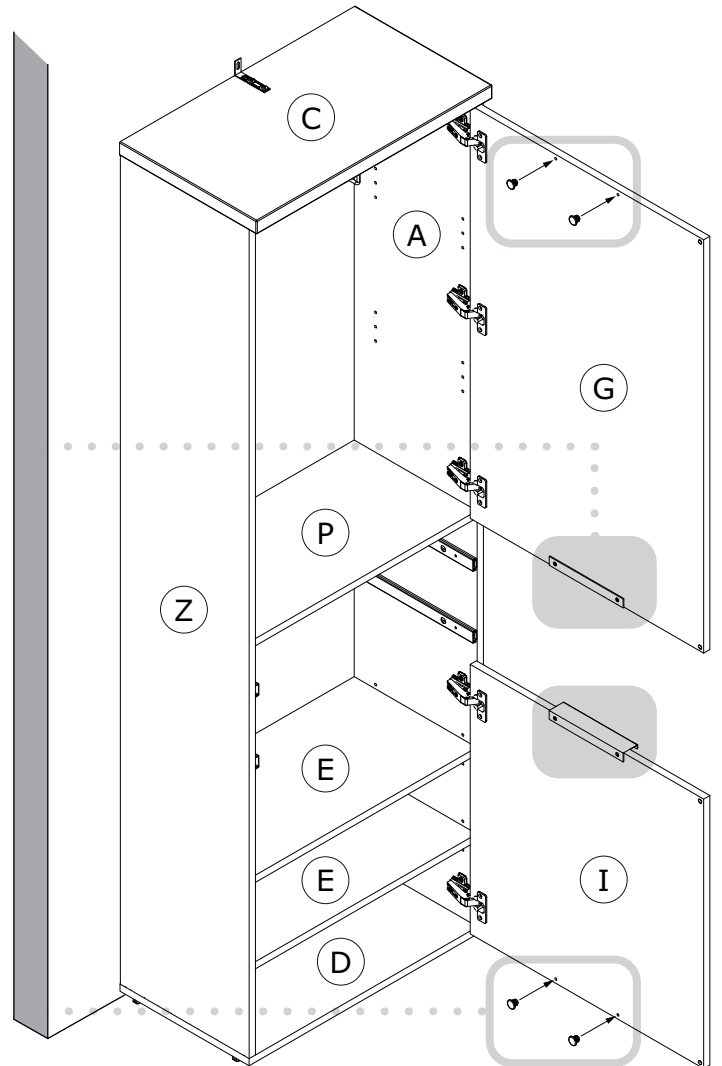
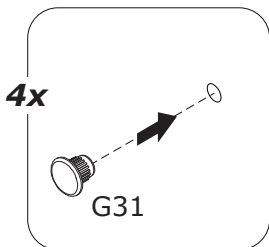
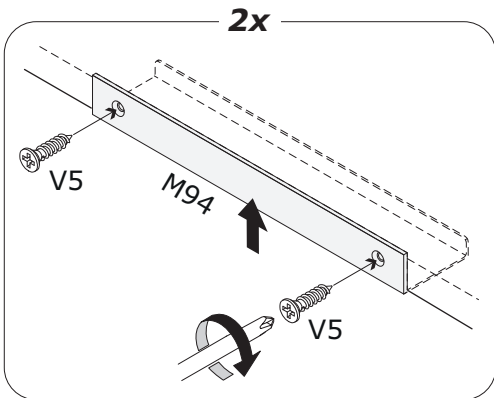
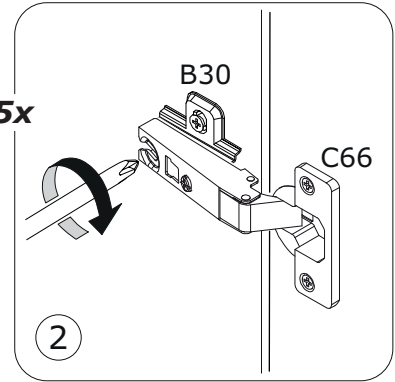
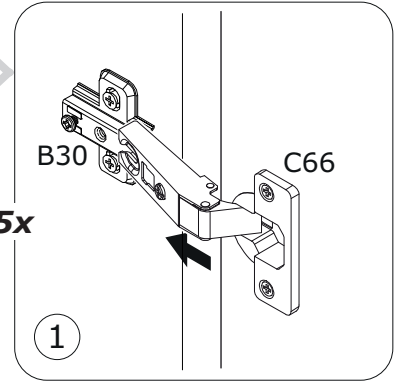
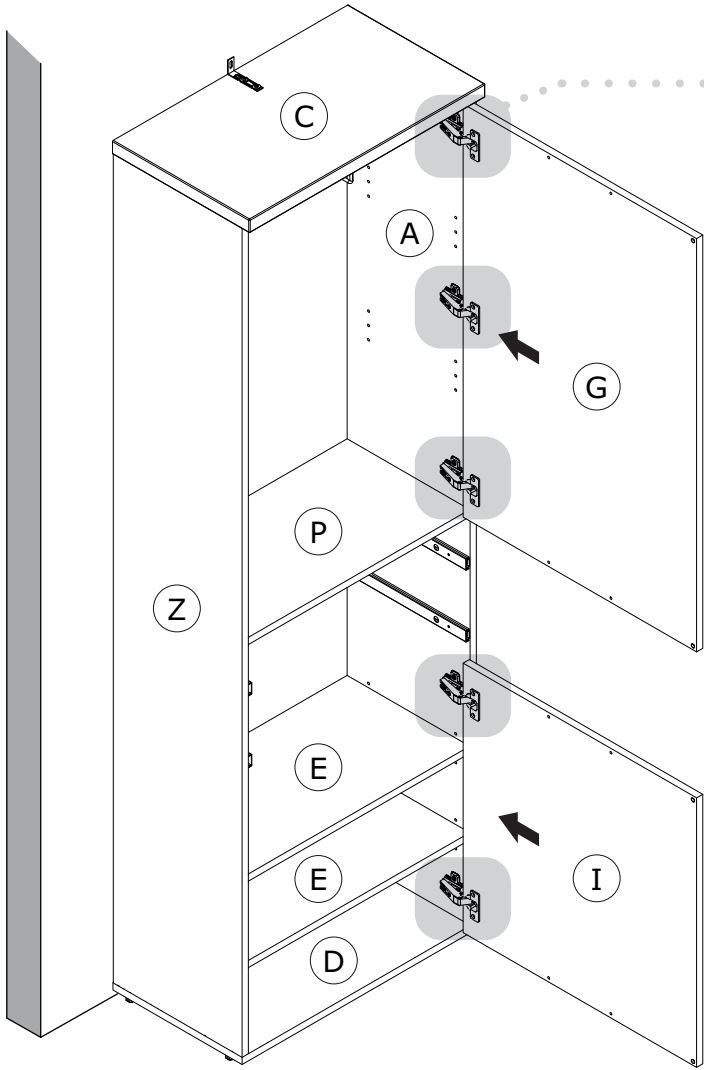
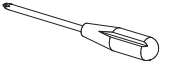


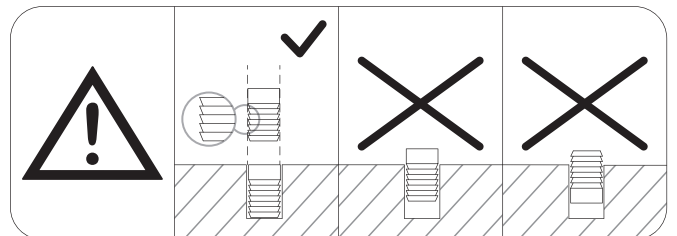
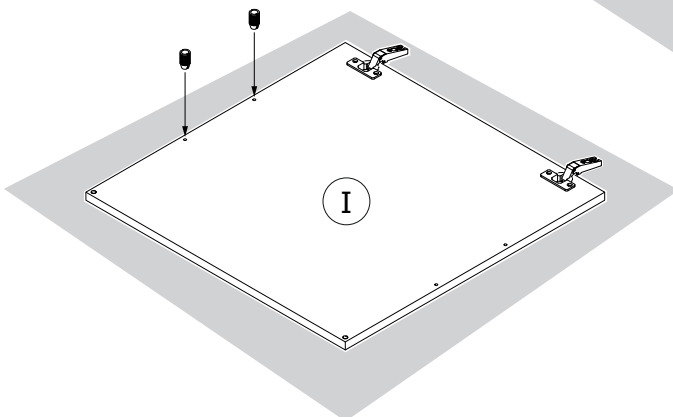
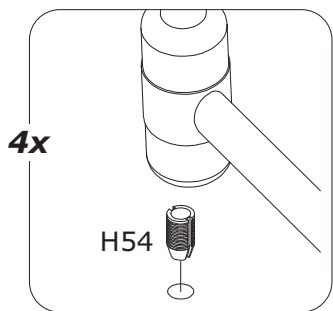
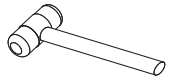
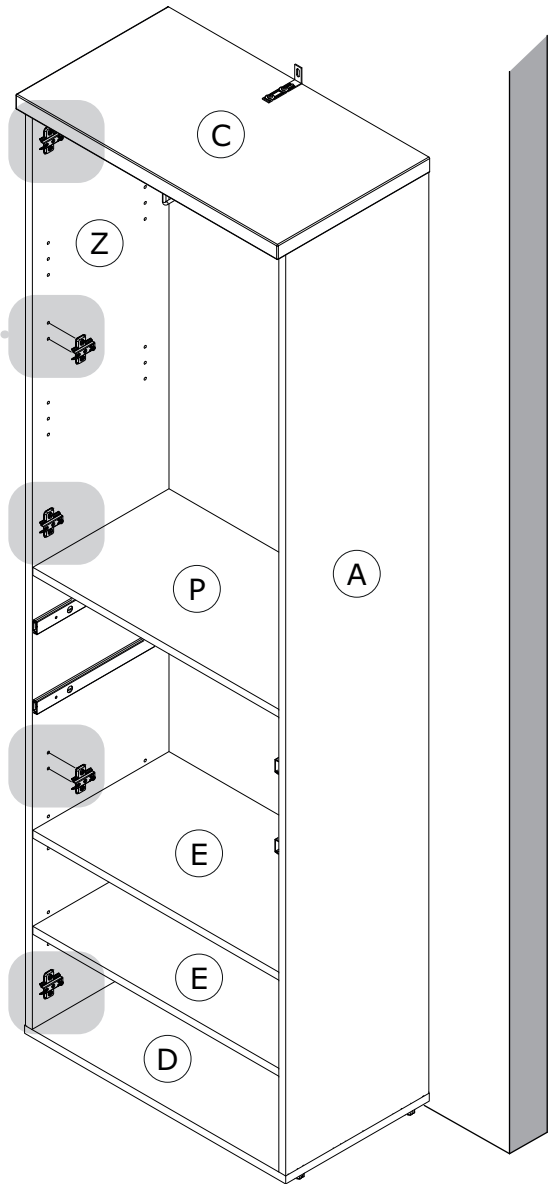
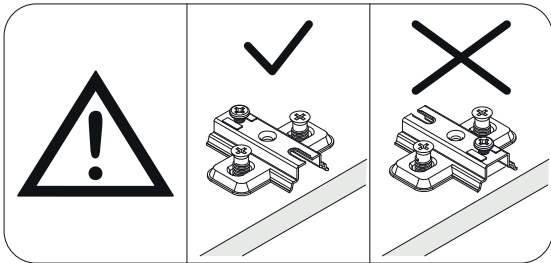
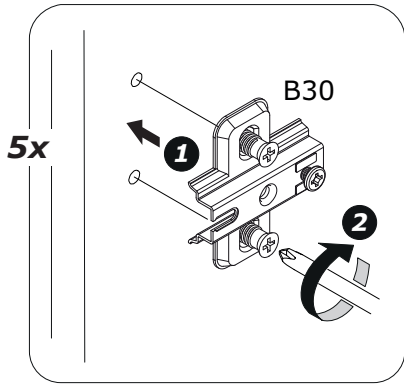
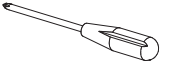
19

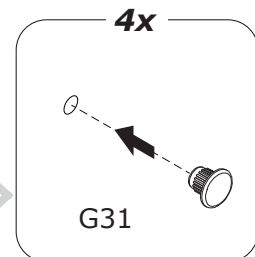
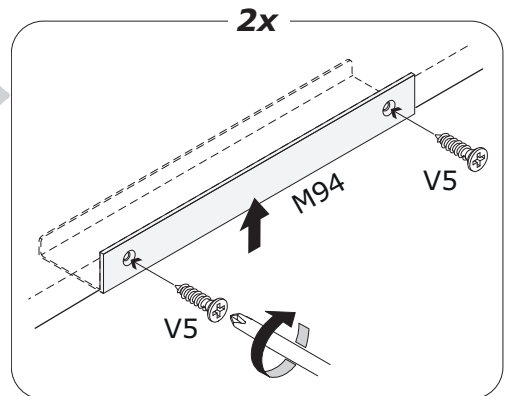
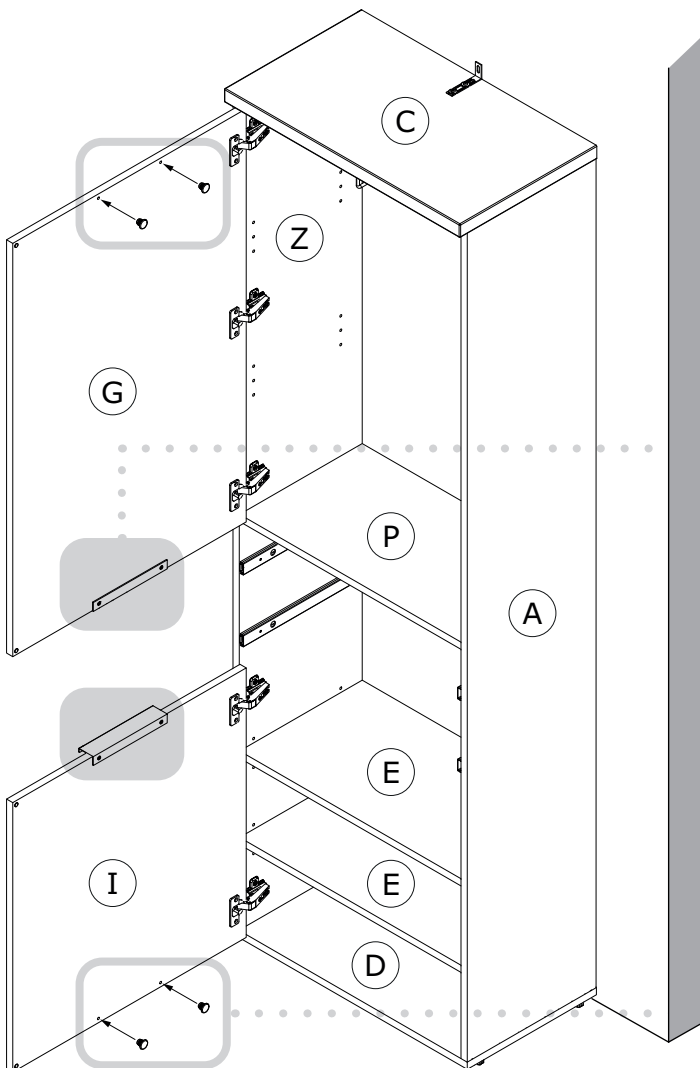
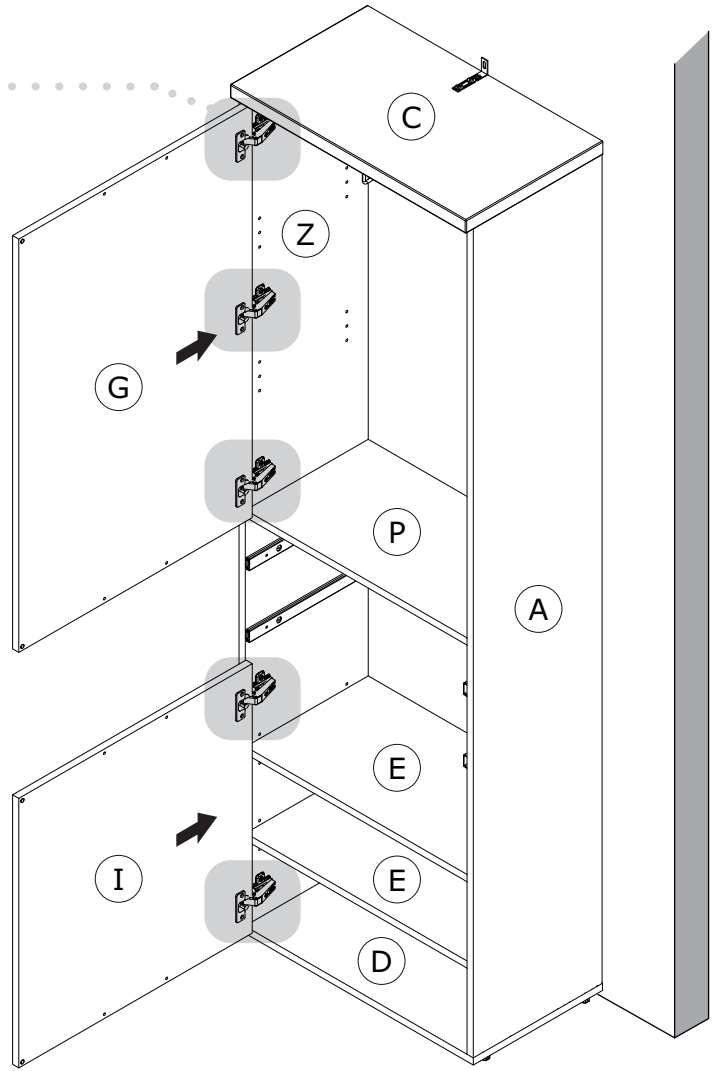
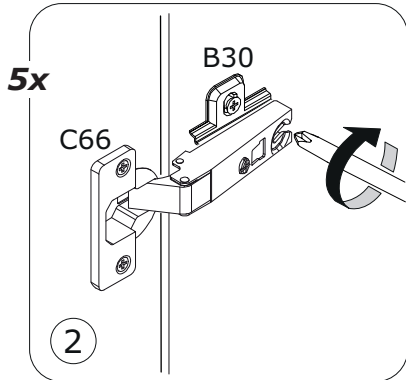
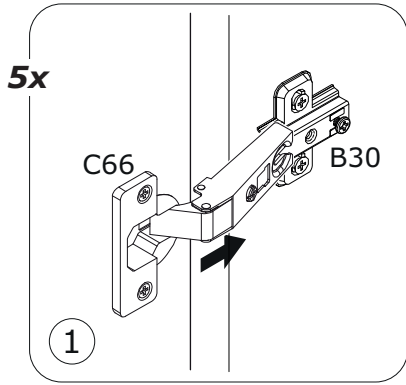
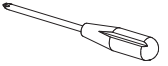


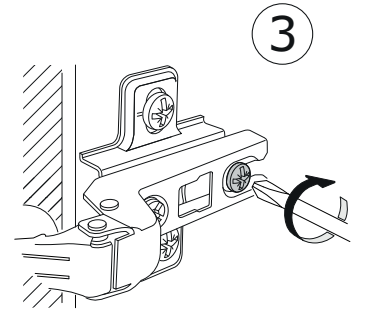
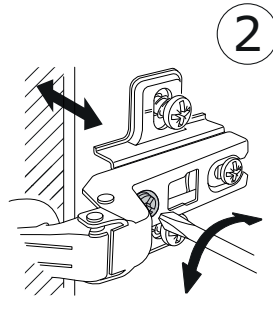
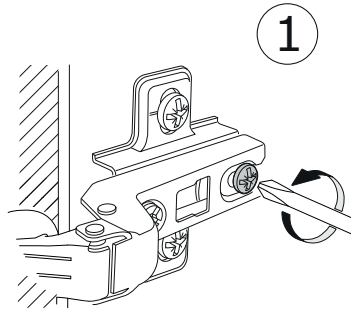
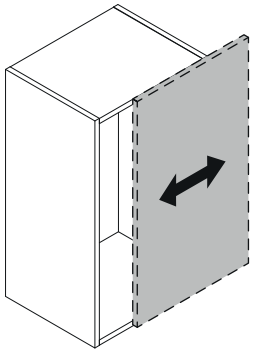
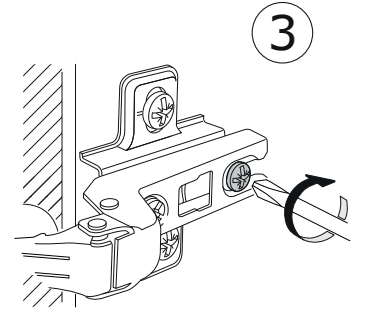
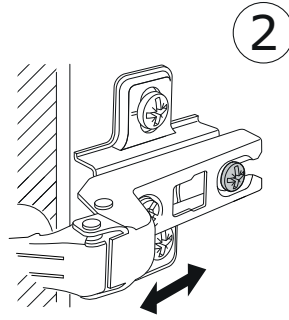
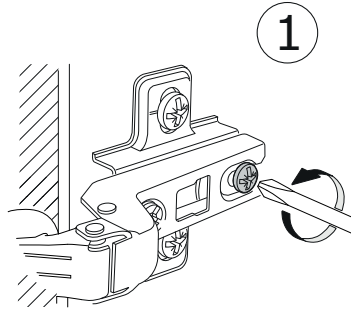
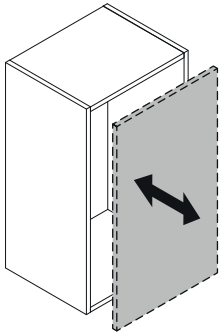
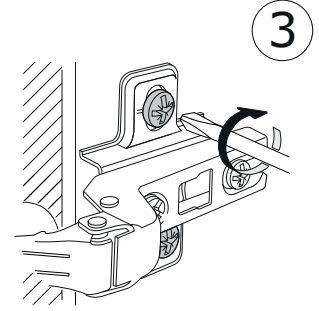
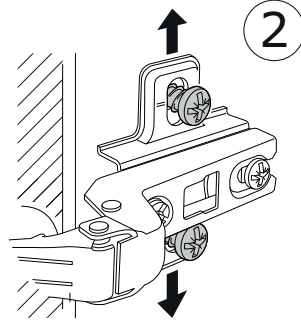
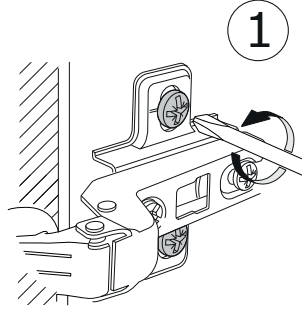
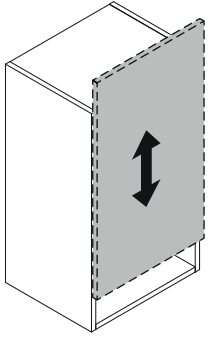
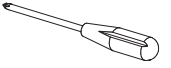


21 - A

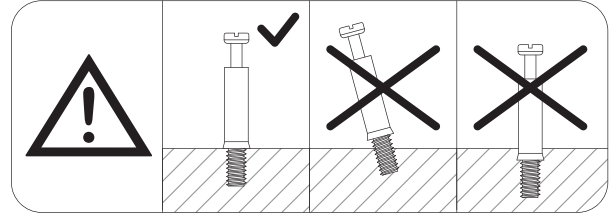
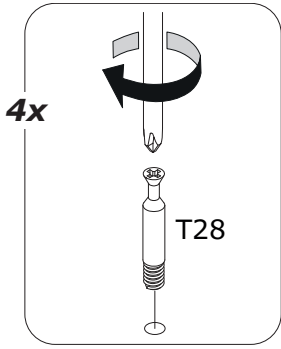
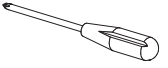




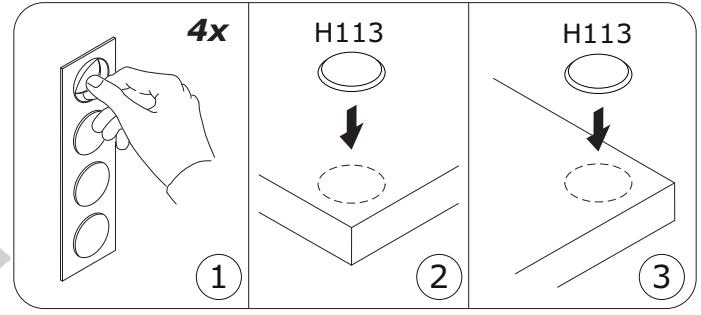
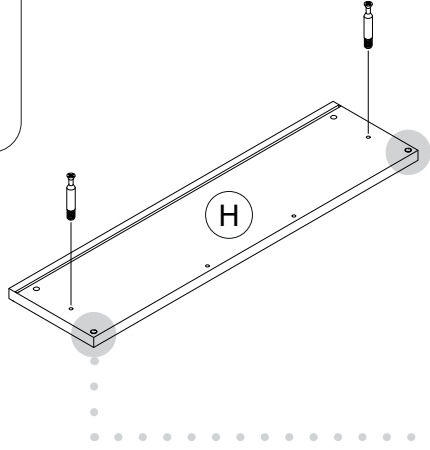




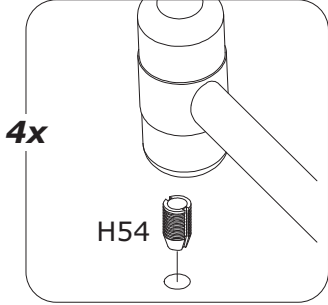
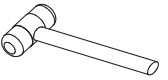
25 A + B



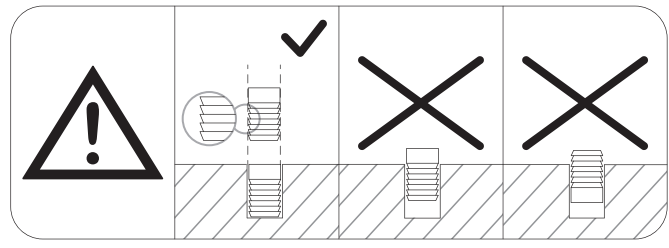
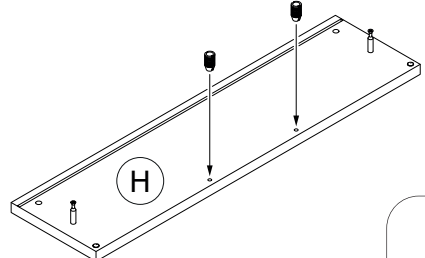
x2



26 A + B

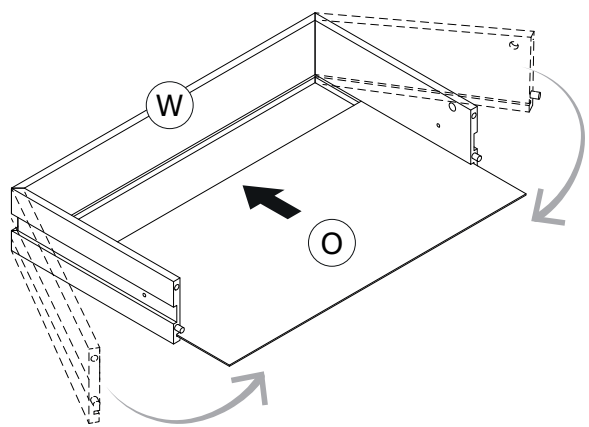


x2

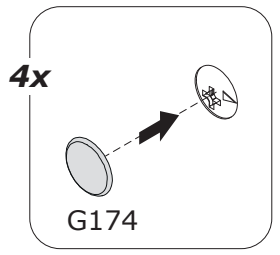
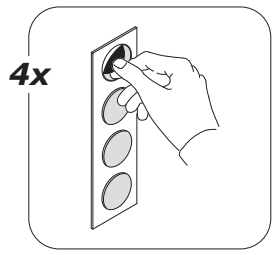
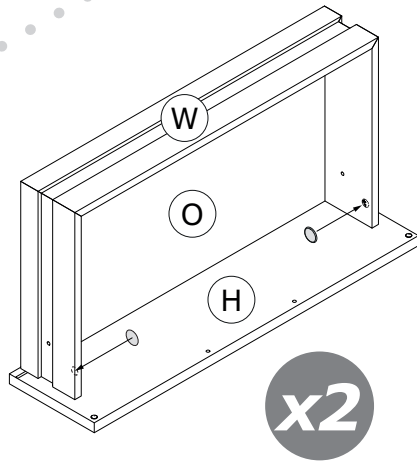
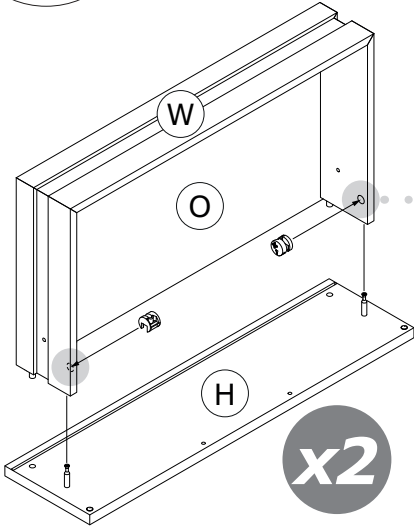
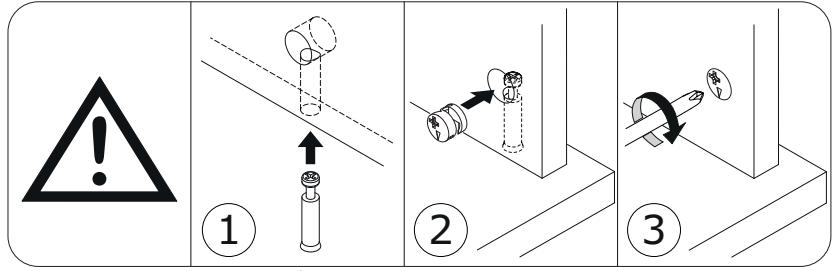
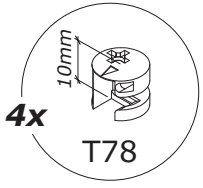
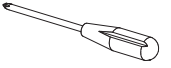


27 A + B

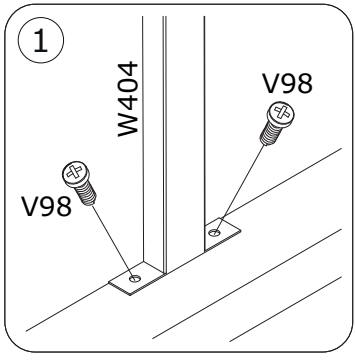
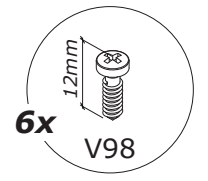
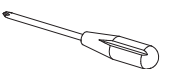
x2



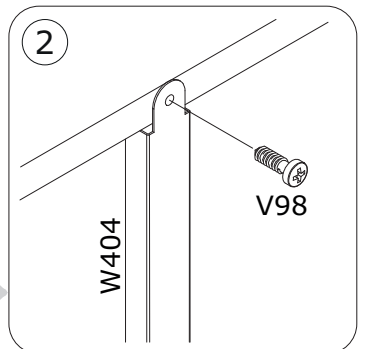
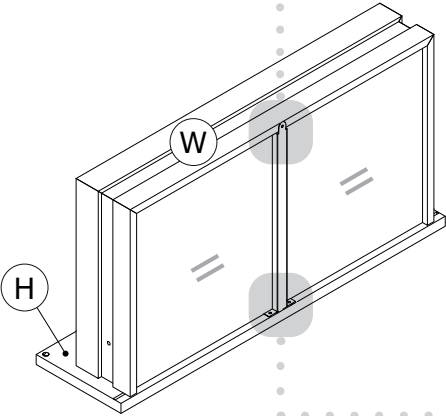
28 A + B



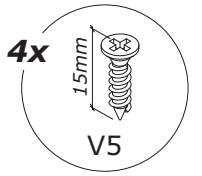
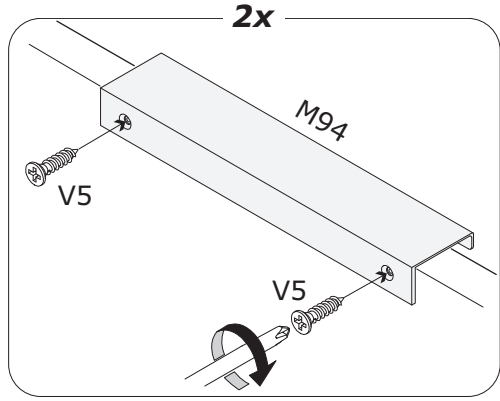
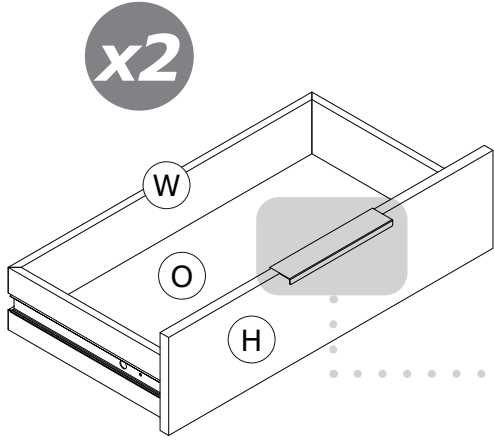
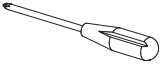
29 A + B



x2



30 A + B



31 A + B

