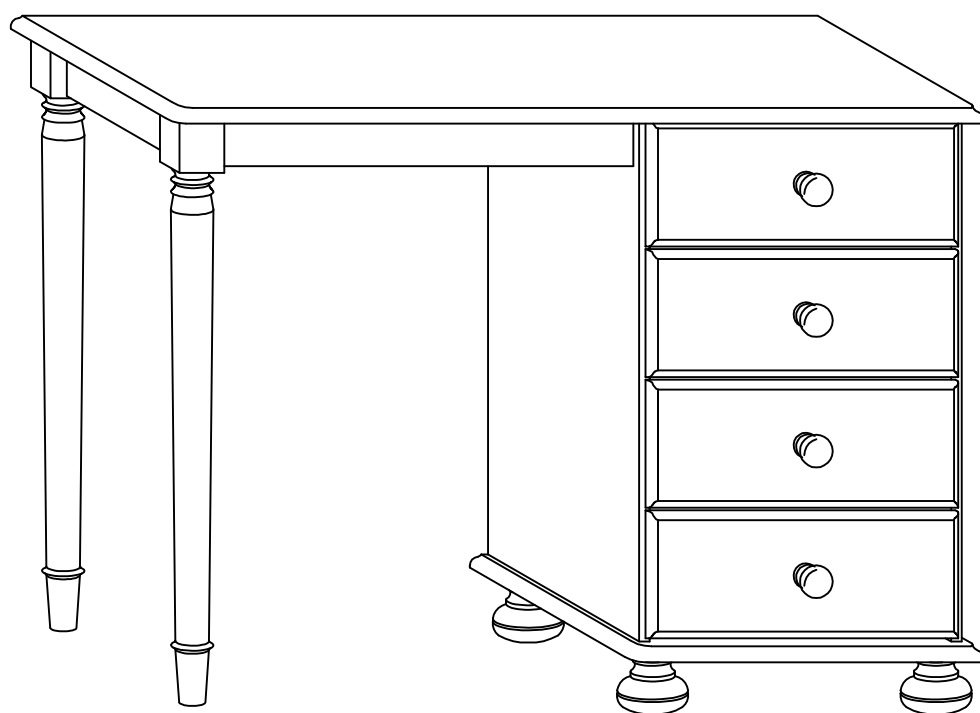
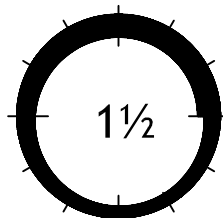
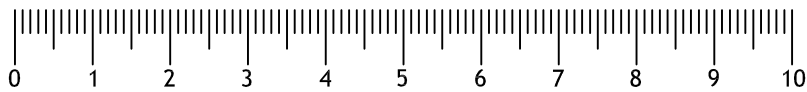
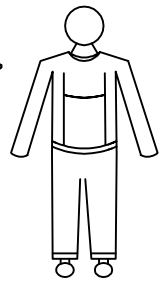
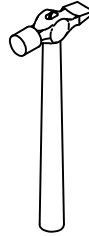
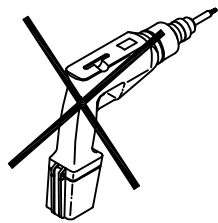
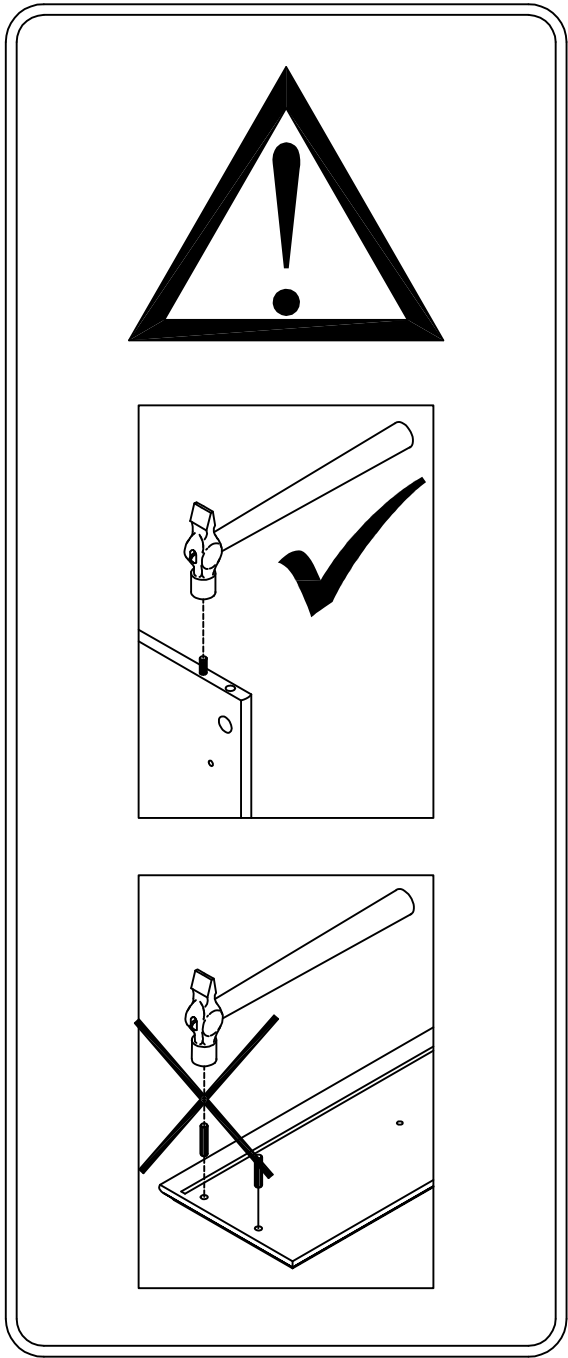
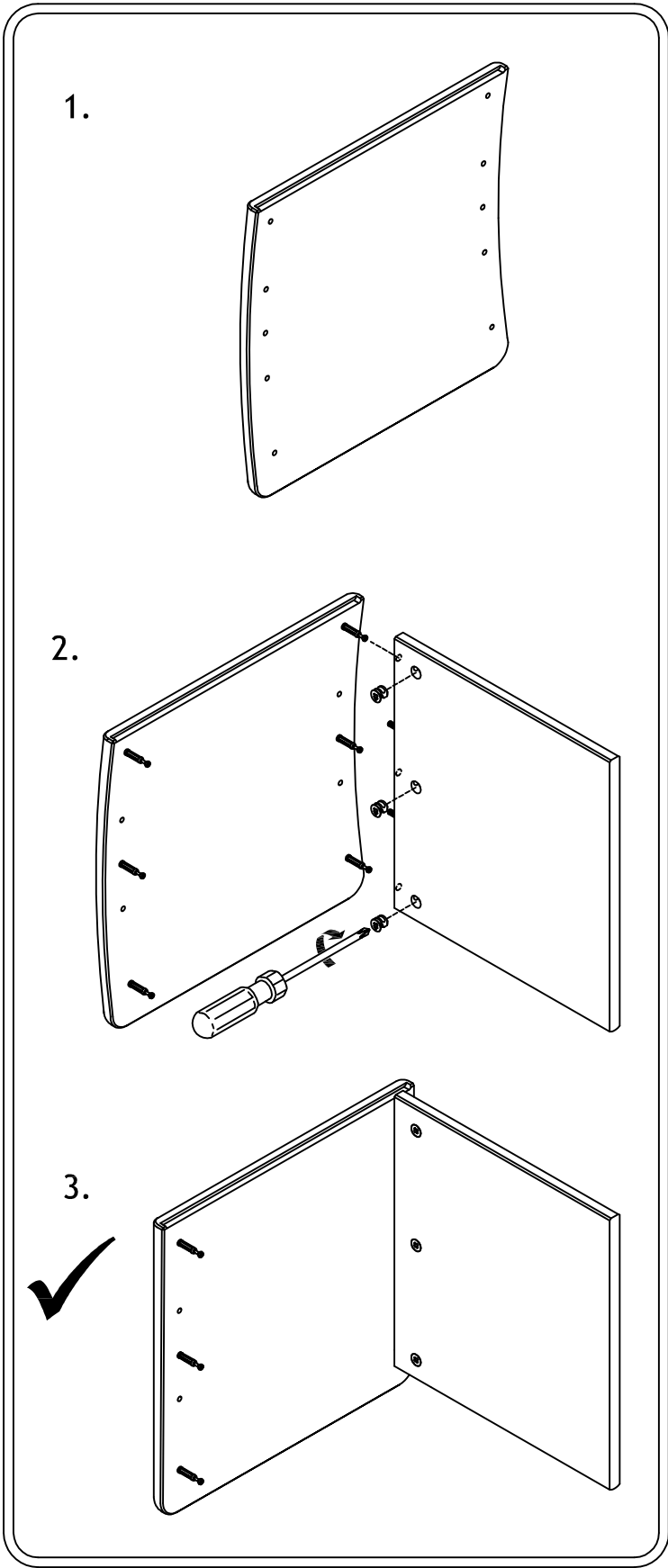
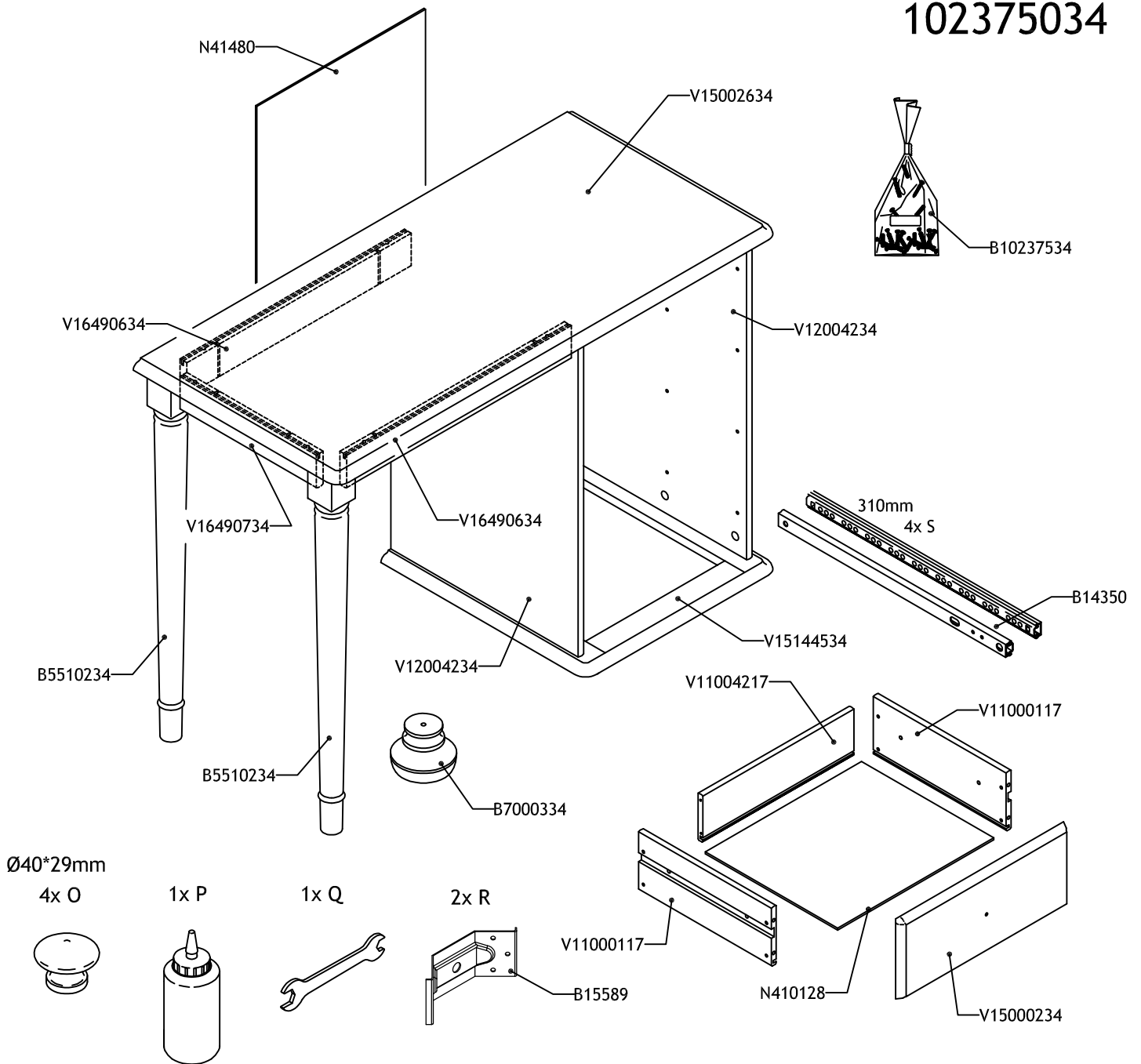


102375034



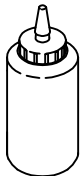




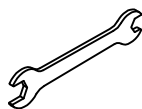
Ø40*29mm
4x O



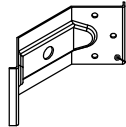
1x P



1x Q



2x R



6x30 SPEC
24x A



Ø5X34/9mm
12x B



15x10,5
12x C



5,8x8 mm
16x D



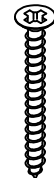
3,5x30
16x E



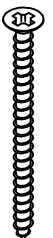
4,5x40
4x F



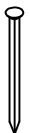
4,5x45
4x G



4,5x60
6x H



1,2x20
25x J



M8x45
2x K



M8x6,5
2x L



2x M



M8x60
2x N



M4x7mm
8x T

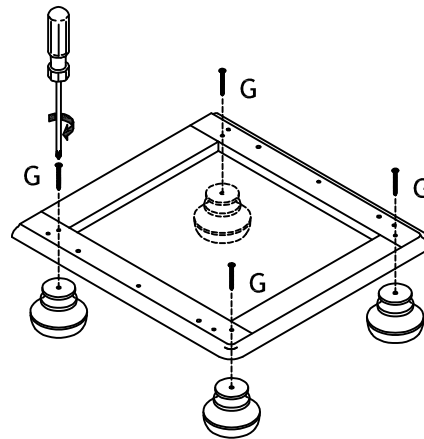


Ø4x12mm
12x U



1

4,5x45
4x G

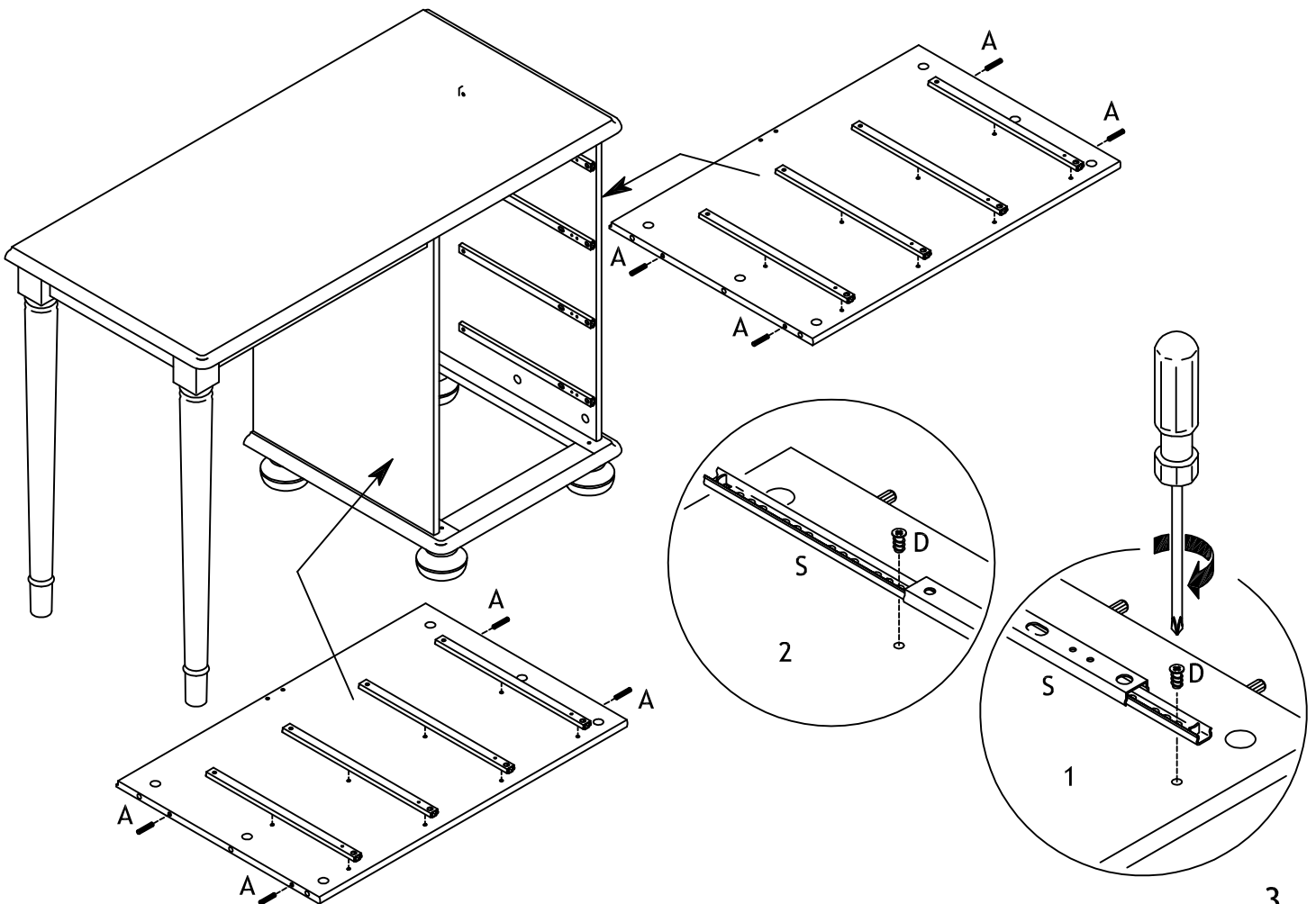
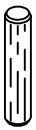


2

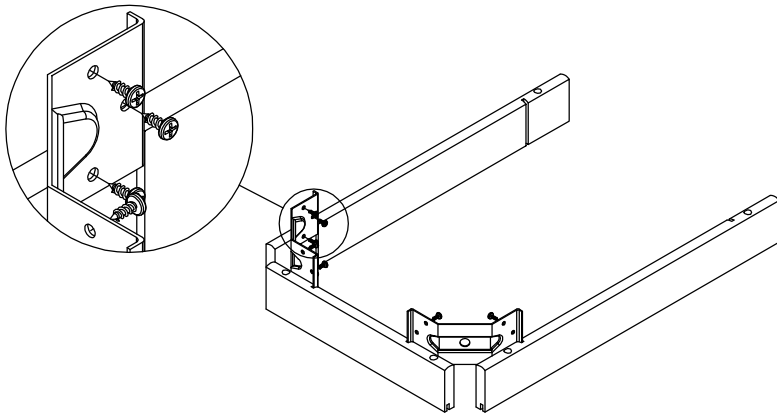
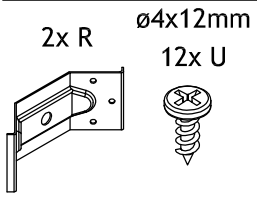
6x30 SPEC
8x A

5,8x8 mm
16x D

310mm
B14350 4x S

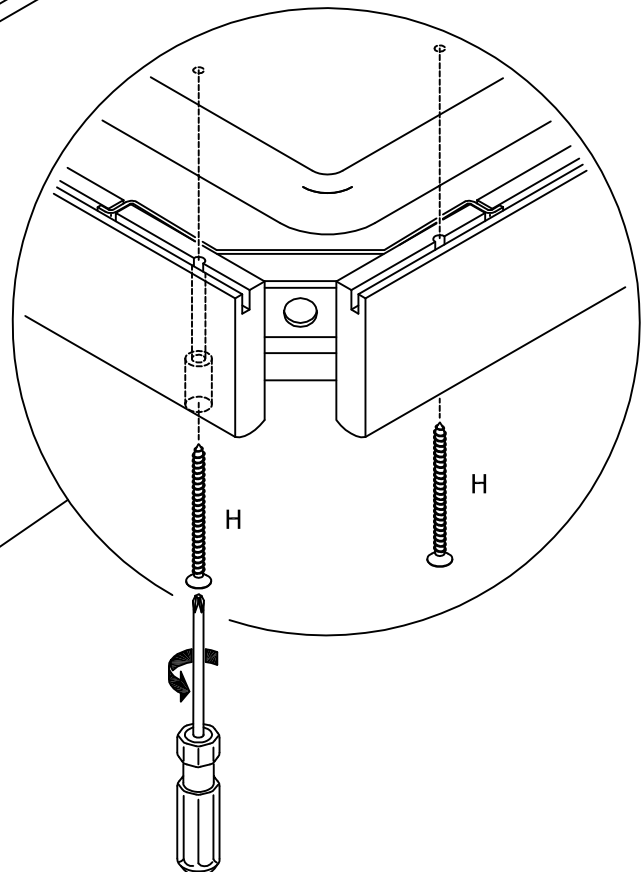
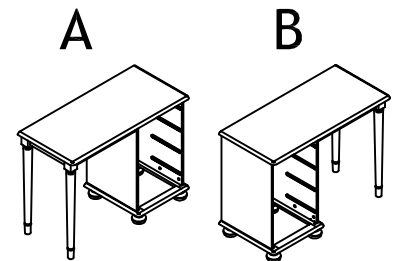
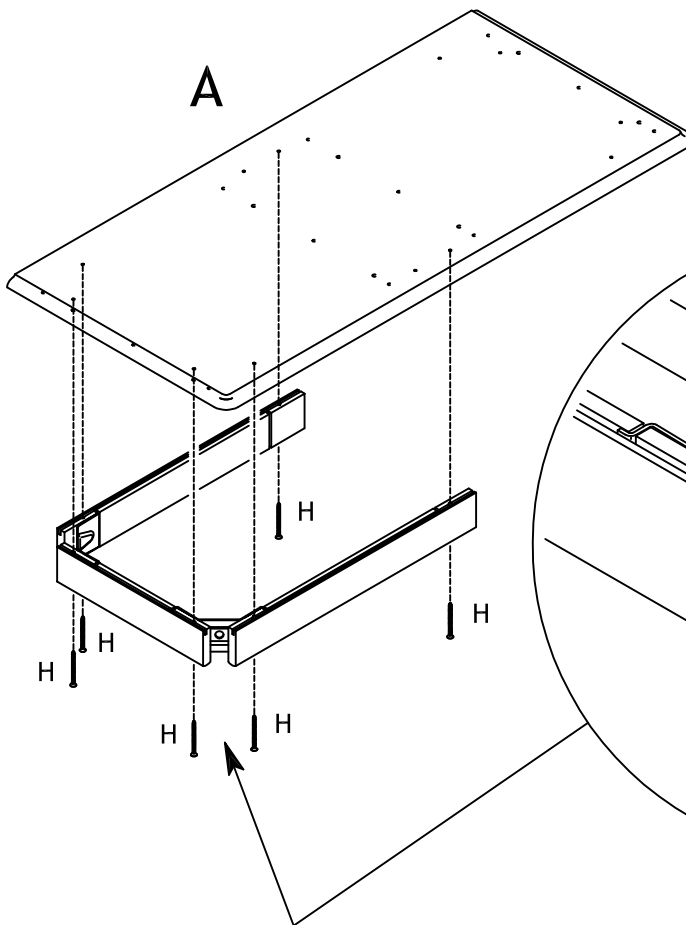


3



4

4,5x60
6x H



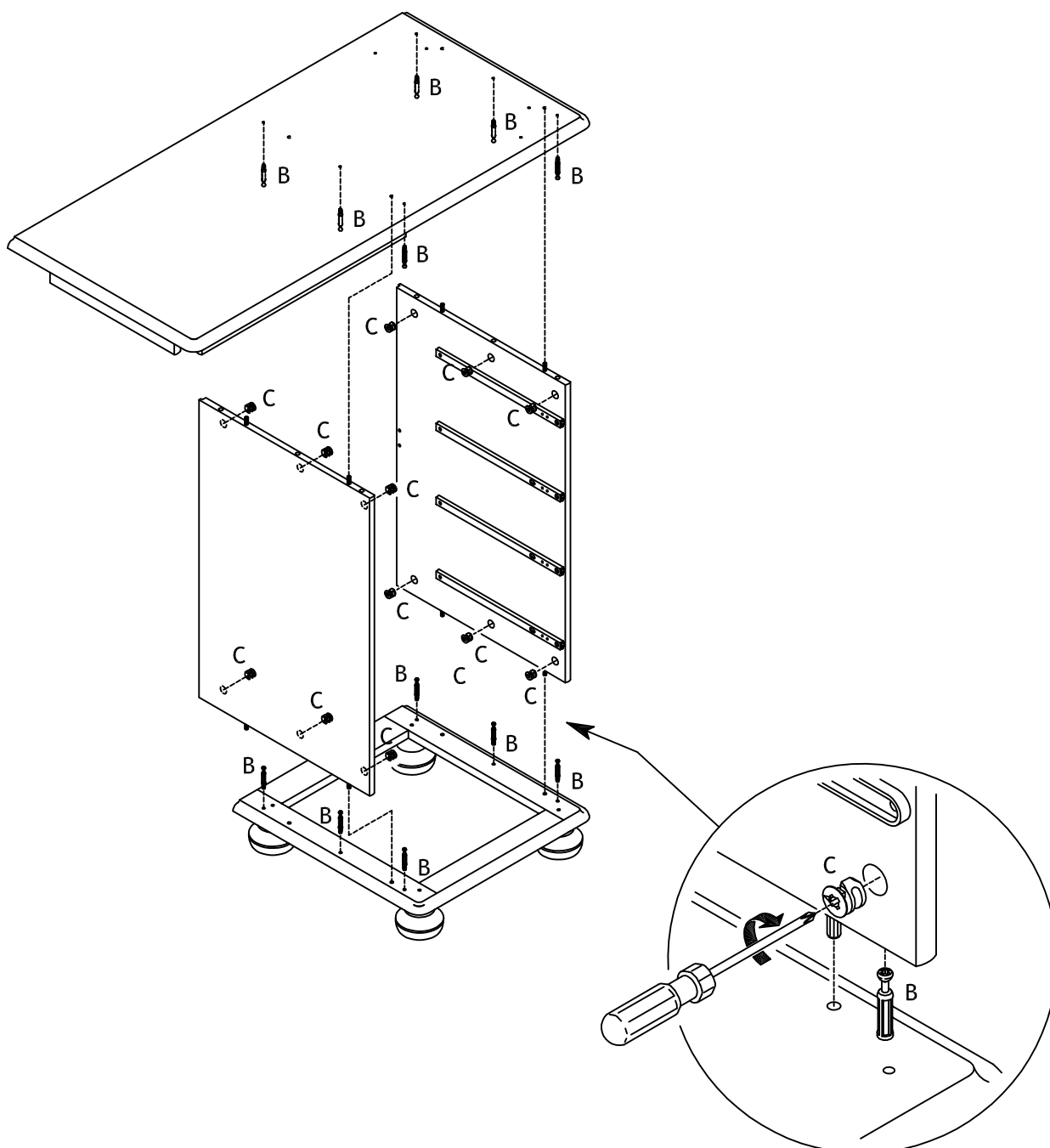
$\varnothing 5 \times 34 / 9 \text{ mm}$

12x B



15x10,5

12x C



6

M8x45
2x K



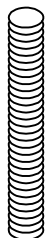
M8x6,5
2x L



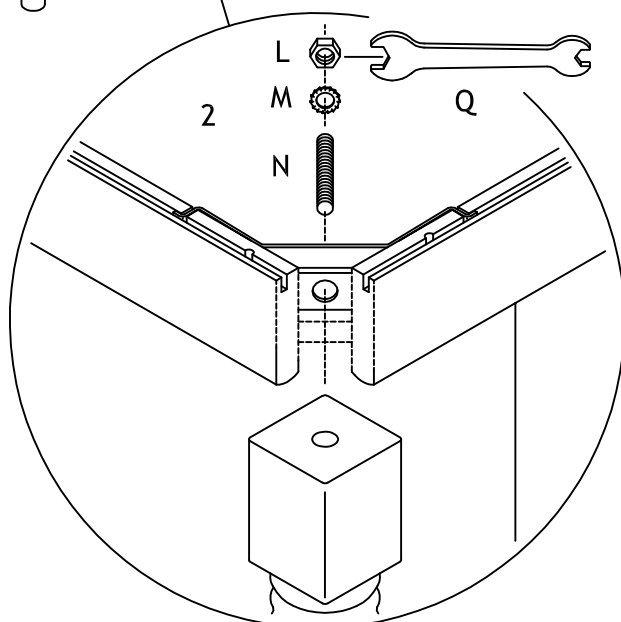
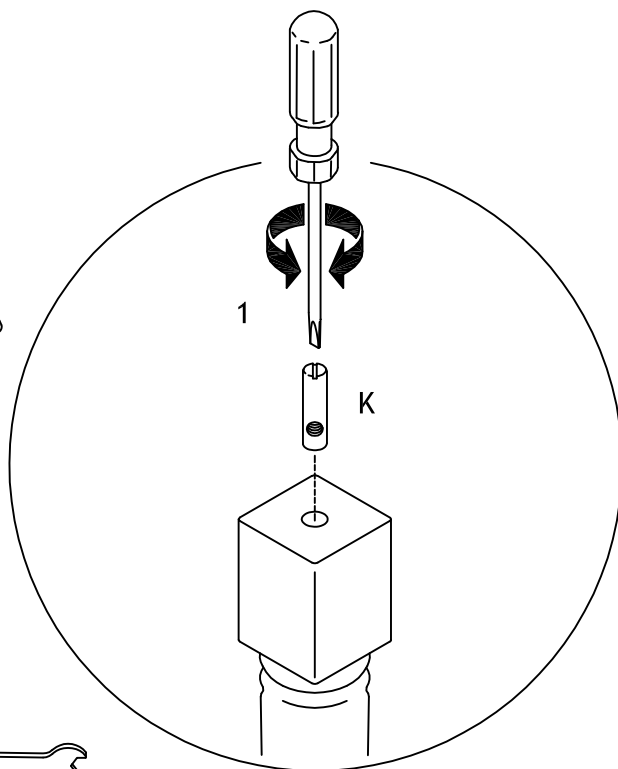
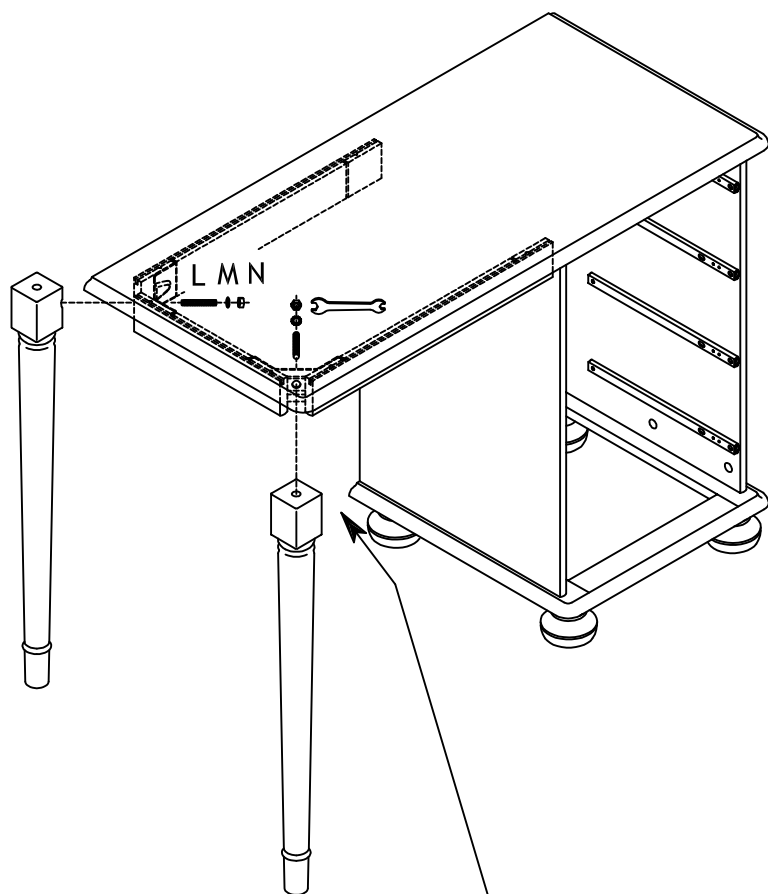
2x M



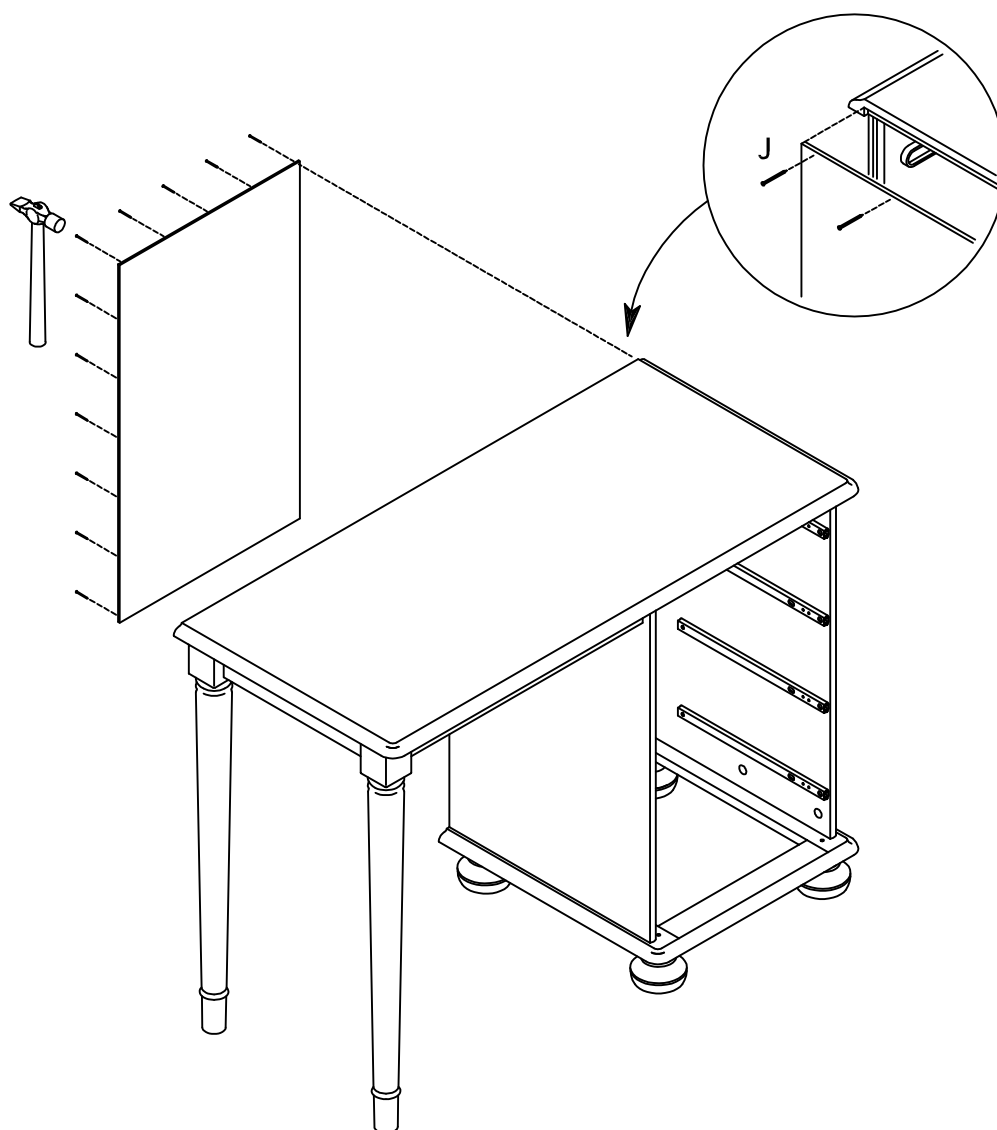
M8x60
2x N



1x Q



1,2x20
25x J



6x30 SPEC
16x A



3,5x30
16x E



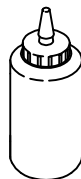
4,5x40
4x F



Ø40*29mm
4x O



1x P



M4x7mm
8x T

