

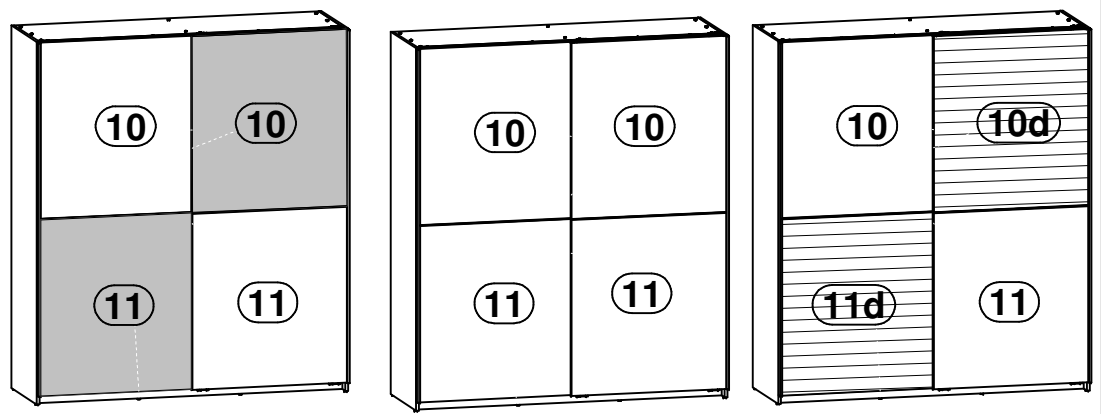
A	B	C(mm)			D
1	F27-405	1669	66	15	2/3
2	F27-406	1669	66	15	2/3
3	F27-902	1878	847	2,5	1/3
4	F52-101	1950	549	15	1/3
5	F52-102	1950	520	15	1/3
6	F52-103	1853	421	15	1/3
7	F52-301	827	420	15	2/3
8	F52-302	1669	519	15	2/3
9	F52-303	1669	504	15	2/3
12	dr-821	821	22	15	2/3



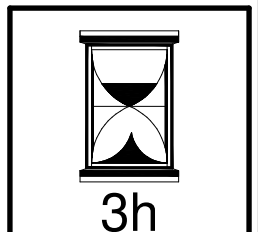
A	B	C(mm)			D
10	F27-507	950	861	15	3/3
11	F27-508	950	861	15	3/3

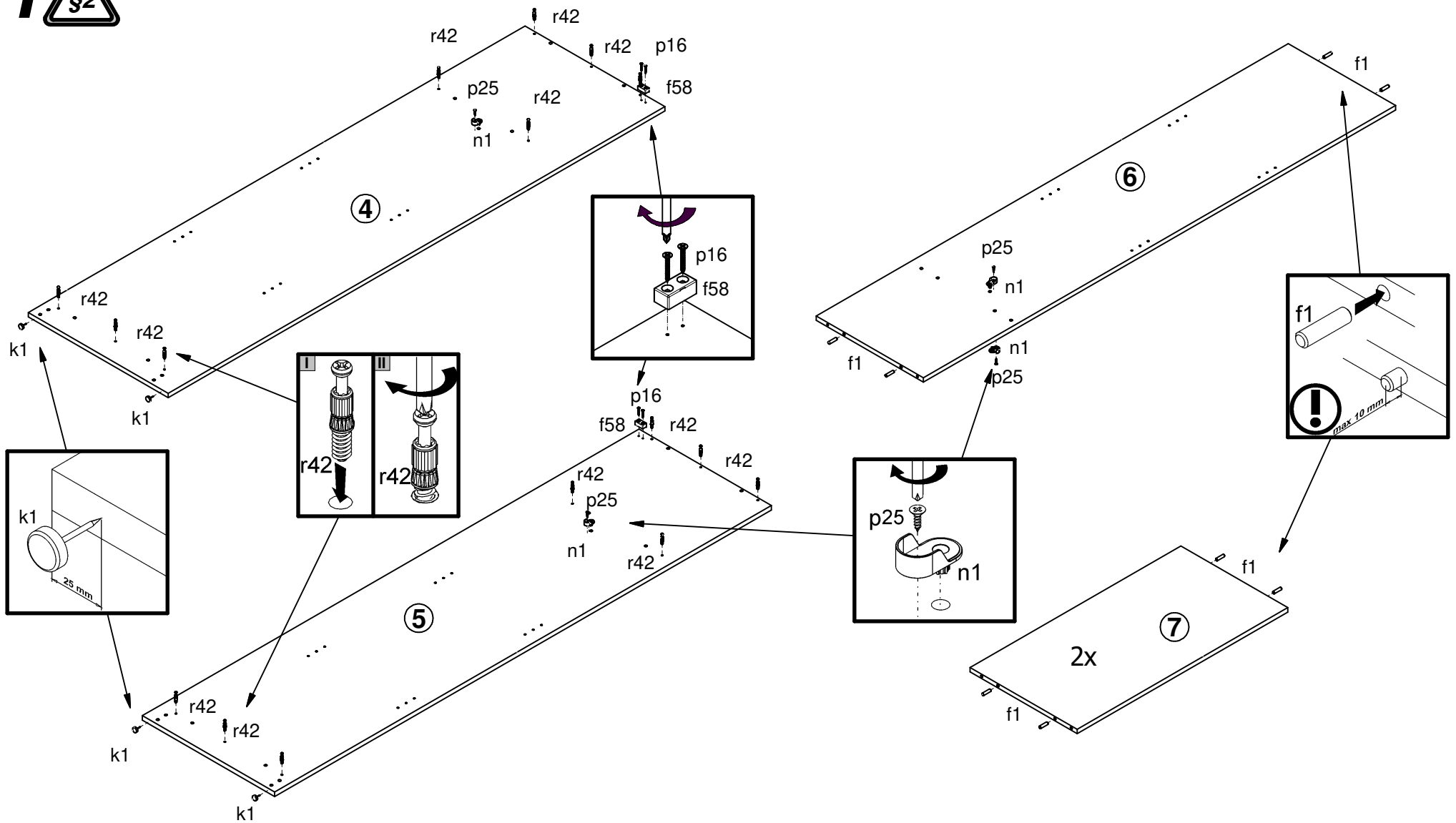
A	B	C(mm)			D
10	F27-507	950	861	15	3/3
11	F27-508	950	861	15	3/3

A	B	C(mm)			D
10	F27-507	950	861	15	3/3
10d	F27-587	861	950	15	3/3
11	F27-508	950	861	15	3/3
11d	F27-588	861	950	15	3/3



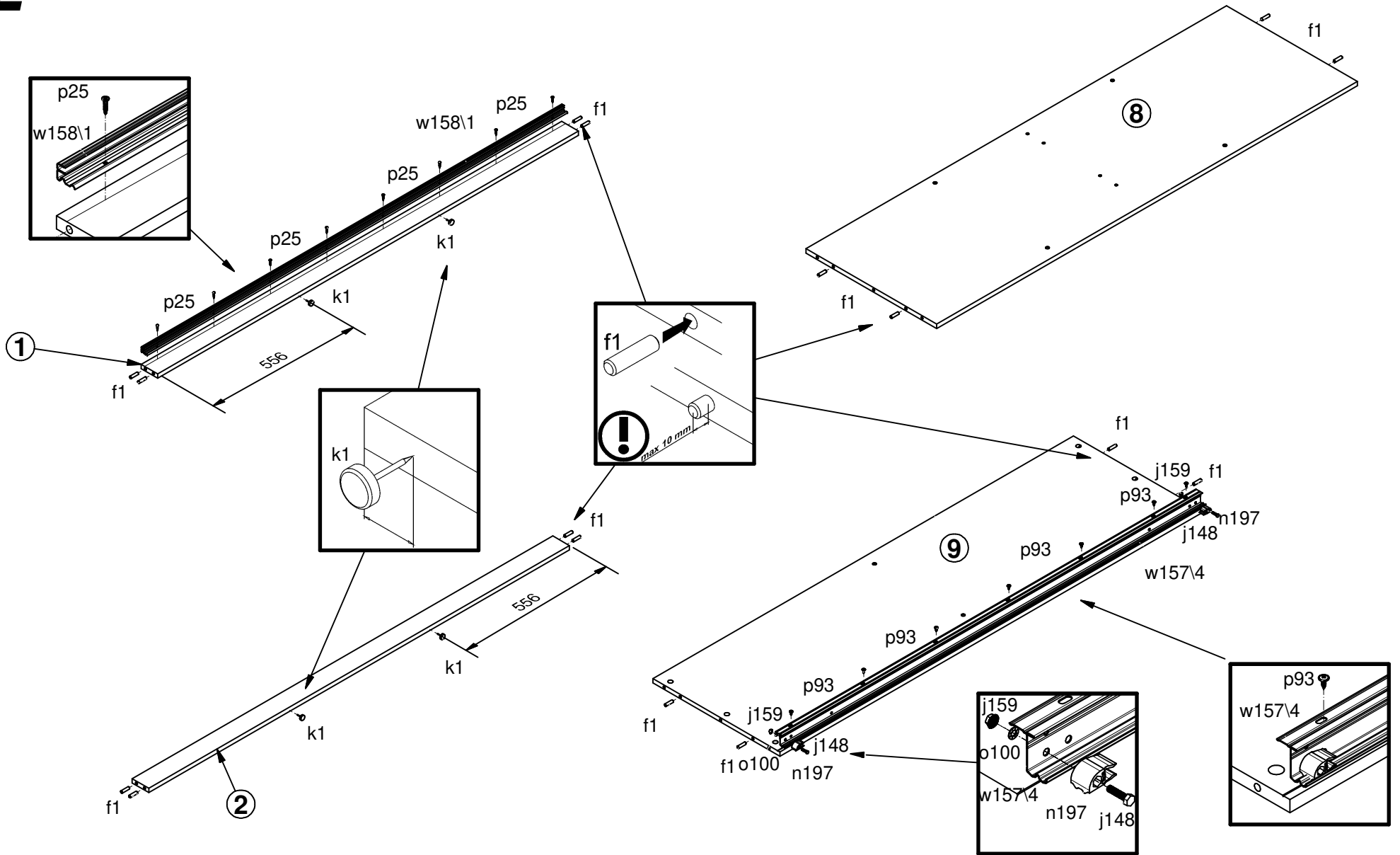
8x Ø7x50 mm e1	28x Ø8x30 mm f1	2x Ø10x50 mm f35	2x f58	2x M5x20 mm j148	2x M5 j159	8x k1	85x 1.4x20 mm l1	4x h=22mm n1	9x 22x9.5x20.7 mm n108	
2x n195	1x n196	2x n197	2x n198	2x n199	4x n76	2x Ø5x210 o100	4x Ø3.5x25 mm p16	2x Ø5x60 mm p17	16x Ø4x16 mm p19	13x Ø3.5x16 mm p25
79x Ø4x13 mm p93	20x Ø15x12 mm #16 r1	2x r10	16x 20/11 r42	2x L=1900 mm w1183	2x L=1900 mm w1184	1x L=1668 mm w1574	1x L=1668 mm w1584	4x s1	8x Ø16 s2	1x 4 mm z1





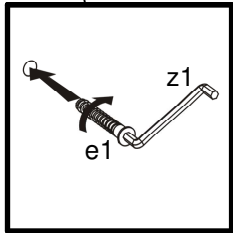
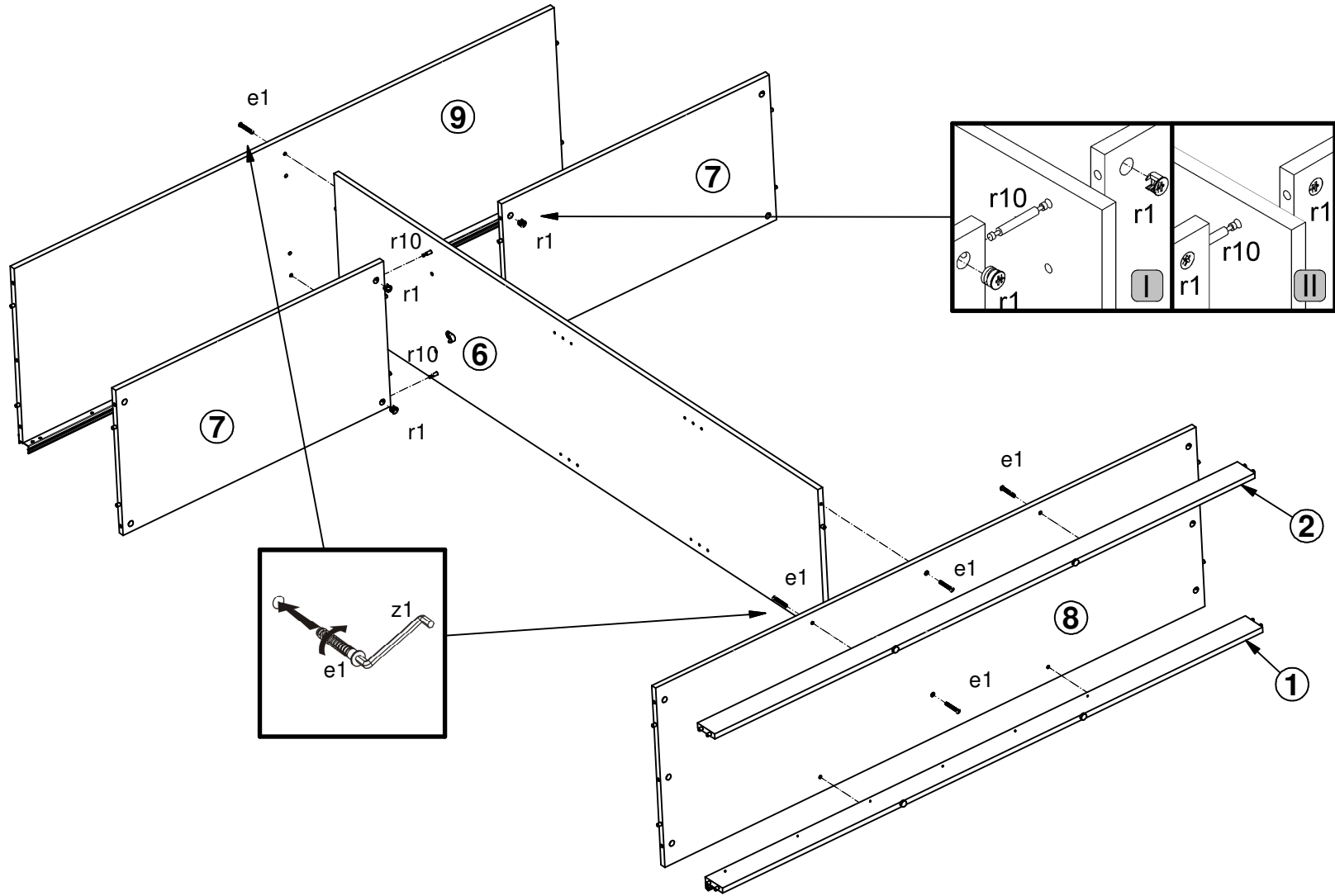
- 12x f1 Ø8x30 mm
- 2x f58
- 4x k1
- 4x n1 h=22mm
- 4x p16 Ø3.5x25 mm
- 4x p25 Ø3.5x16 mm
- 16x r42 20/11

2



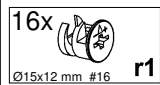
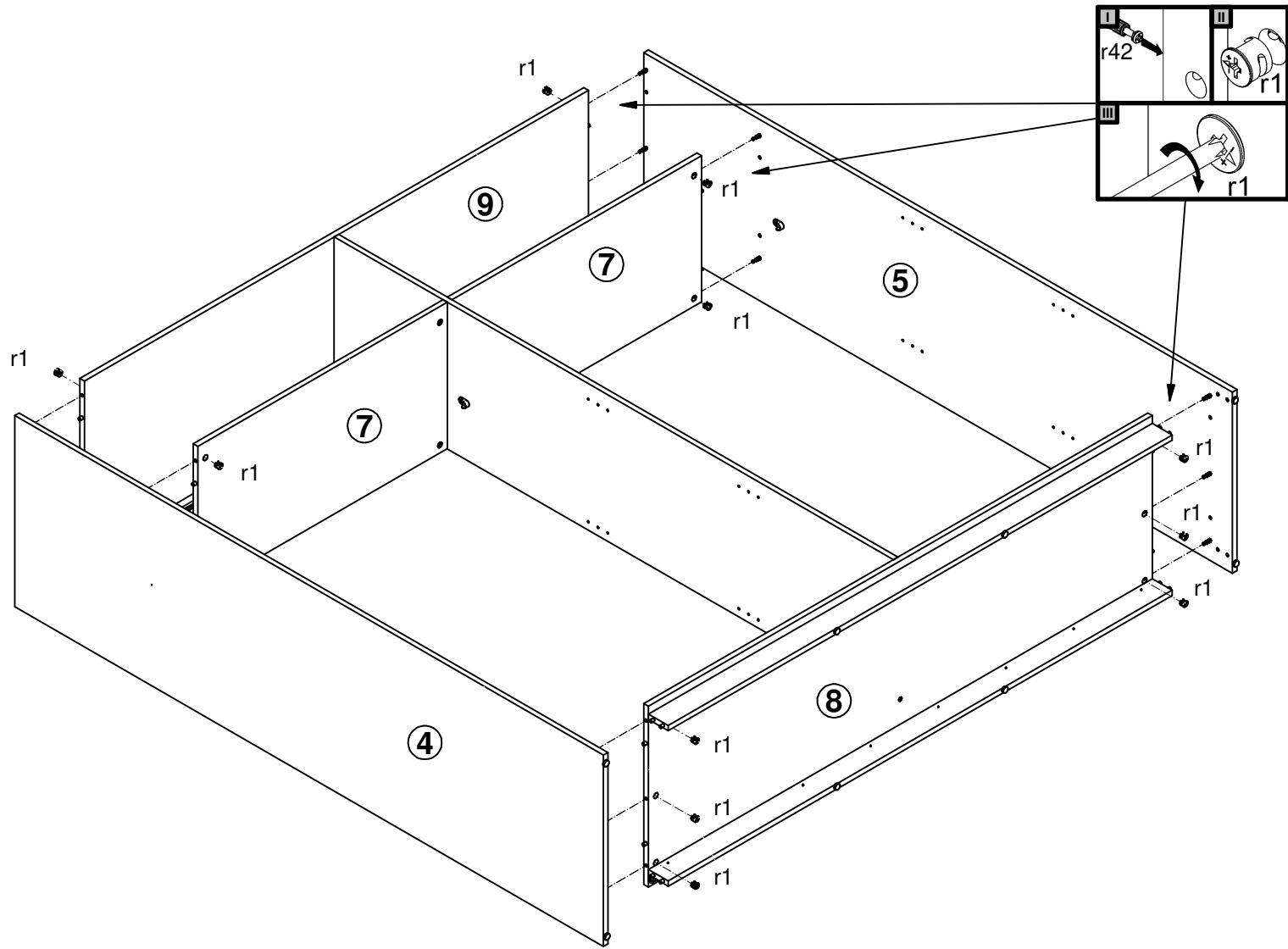
- |                       |          |            |                        |                  |                      |                         |                       |                           |                          |
|-----------------------|----------|------------|------------------------|------------------|----------------------|-------------------------|-----------------------|---------------------------|--------------------------|
| 16x<br>Ø8x30 mm<br>f1 | 4x<br>k1 | 2x<br>n197 | 2x<br>M5x20 mm<br>j148 | 2x<br>M5<br>j159 | 2x<br>Ø5xØ10<br>o100 | 8x<br>Ø3.5x16 mm<br>p25 | 7x<br>Ø4x13 mm<br>p93 | 1x<br>L-1668 mm<br>w157\4 | 1x<br>L-1668mm<br>w158\4 |
|-----------------------|----------|------------|------------------------|------------------|----------------------|-------------------------|-----------------------|---------------------------|--------------------------|

# 3

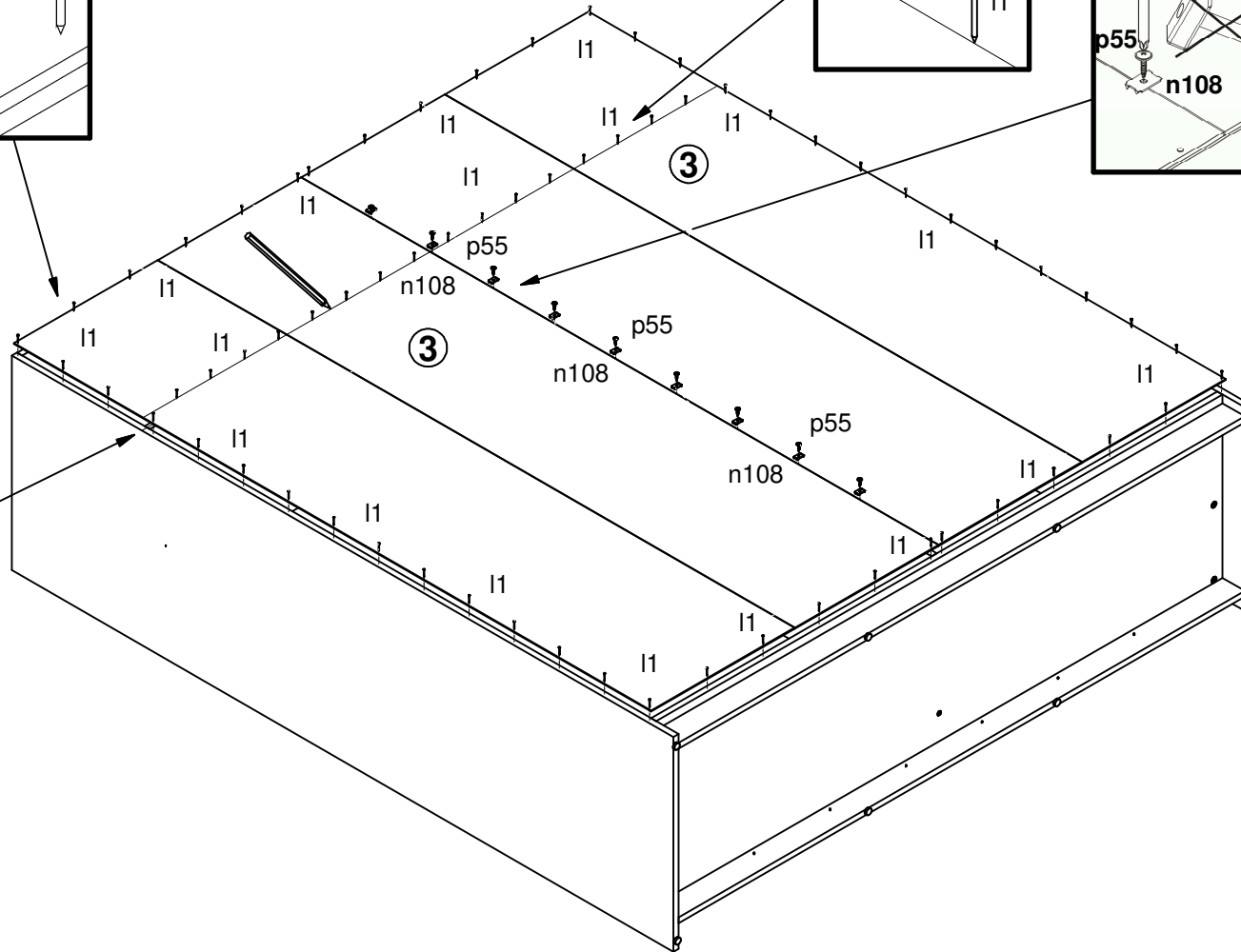
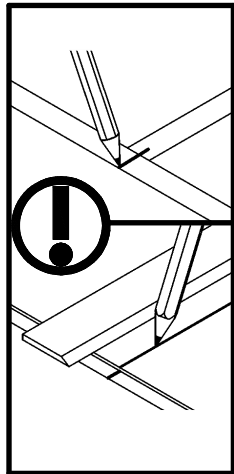
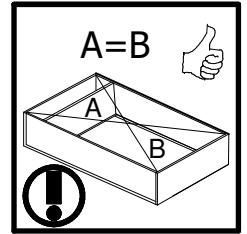
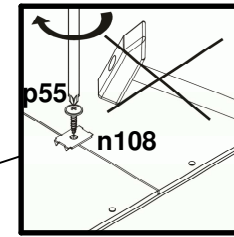
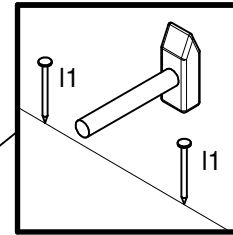
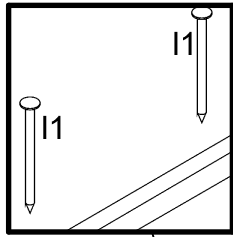



- |                      |                           |           |
|----------------------|---------------------------|-----------|
| 8x<br>Ø7x50 mm<br>e1 | 4x<br>Ø15x12 mm #16<br>r1 | 2x<br>r10 |
|----------------------|---------------------------|-----------|

4

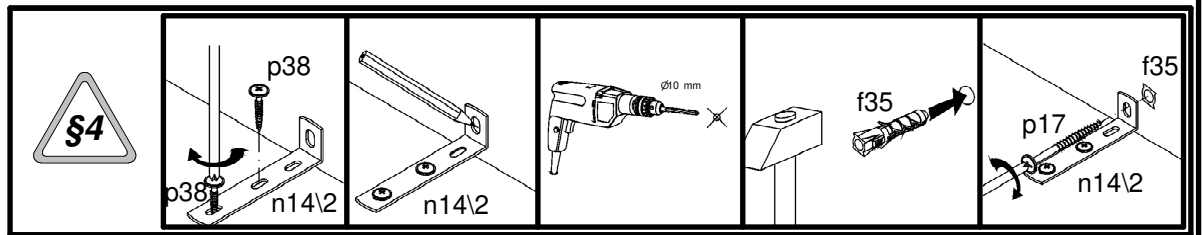
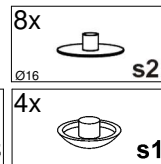
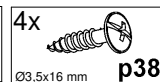
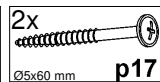
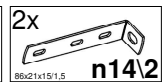
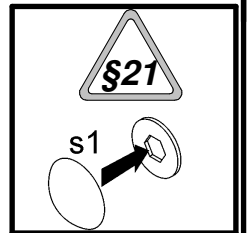
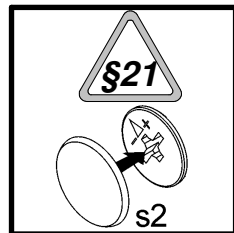
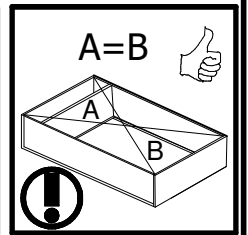
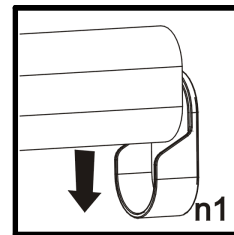
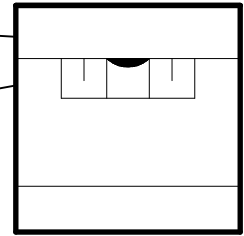
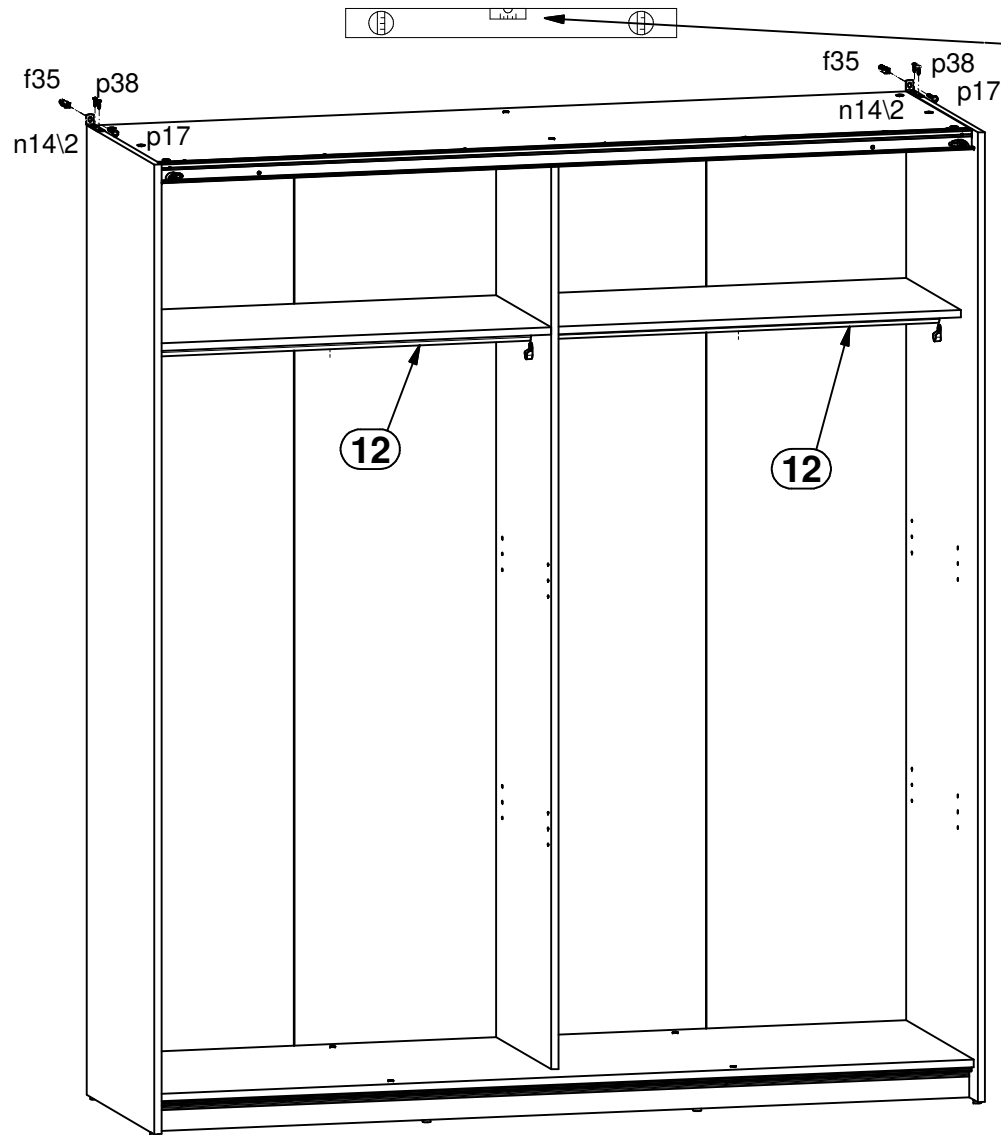


# 5



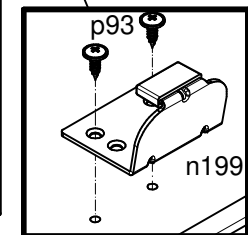
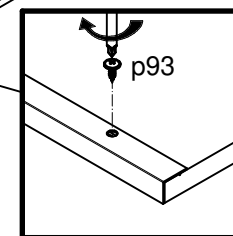
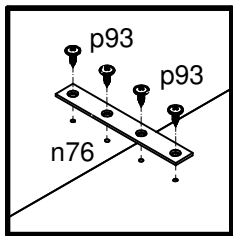
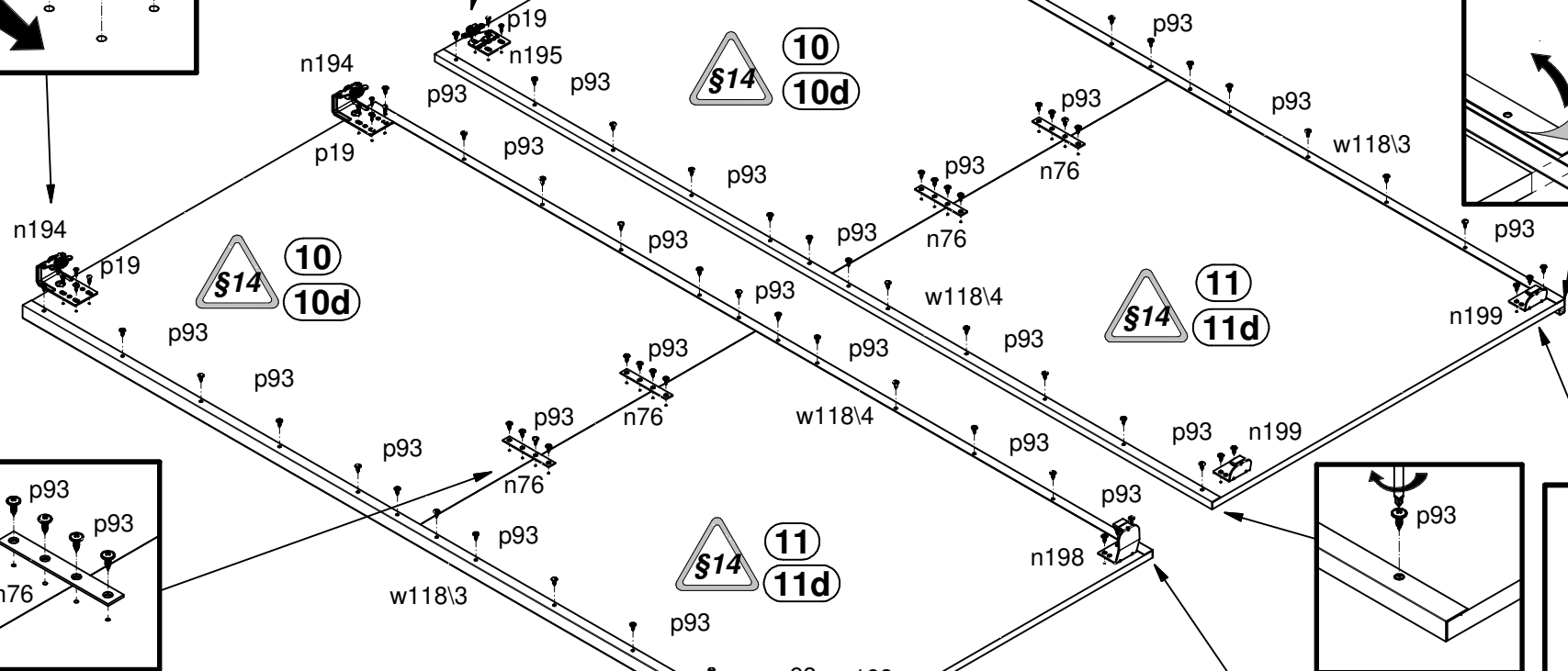
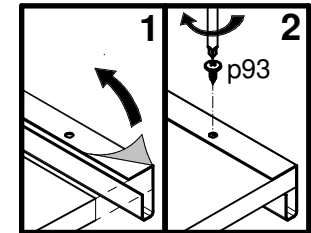
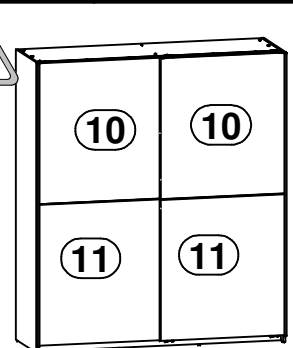
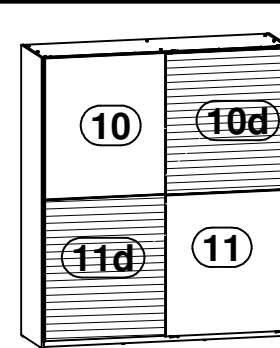
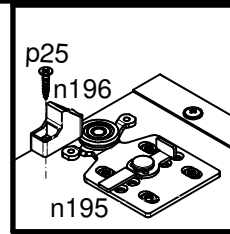
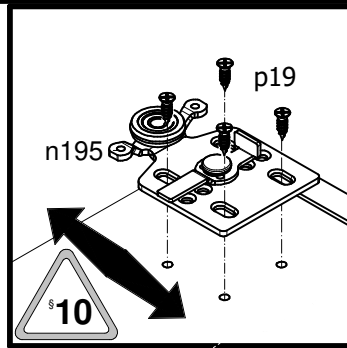
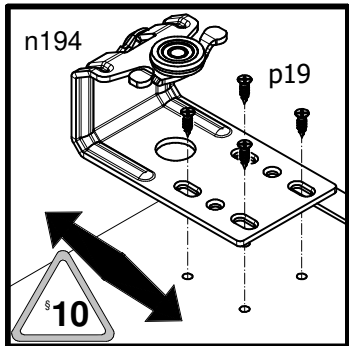
- 85x  l1  
1.4x20 mm
- 9x  n108  
22x9.5x20.7 mm
- 9x  p55  
Ø2.9x16 mm

# 6

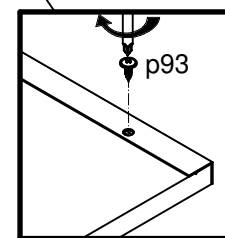
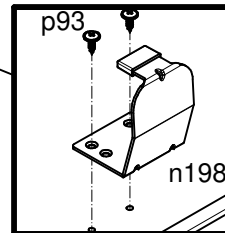
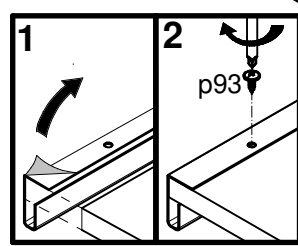




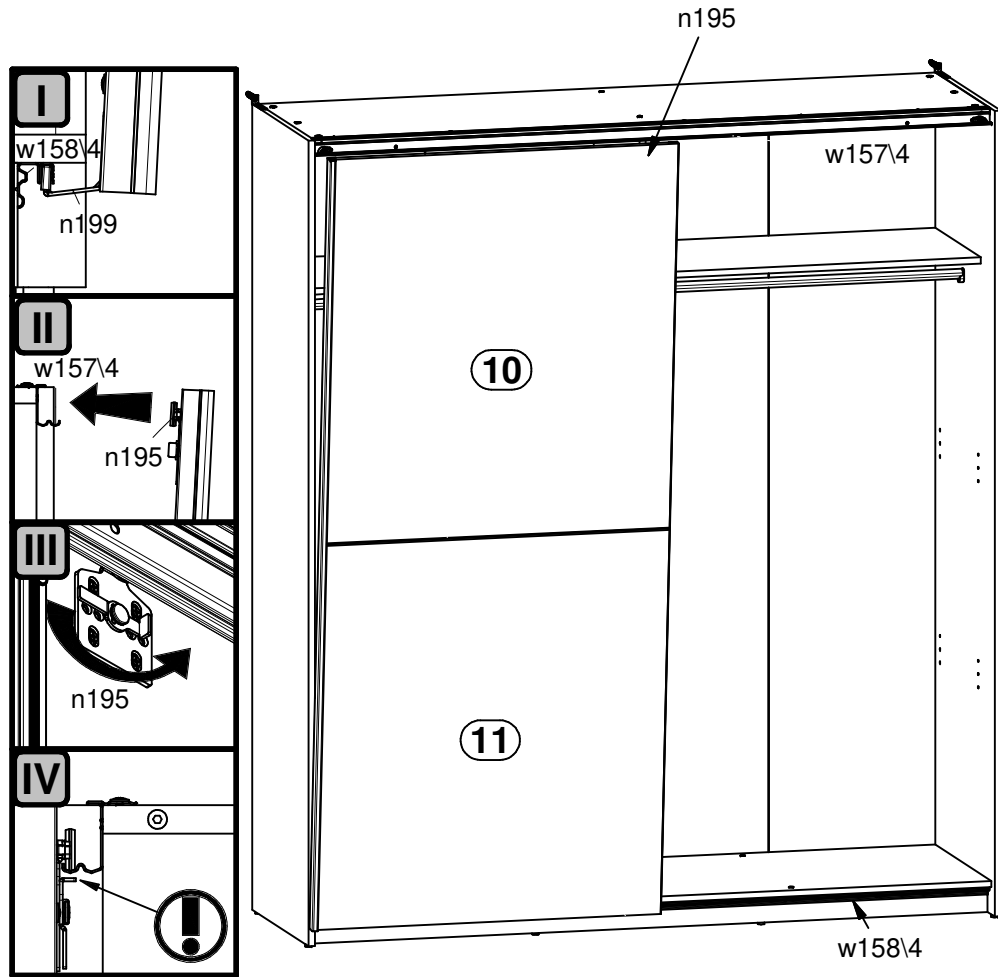
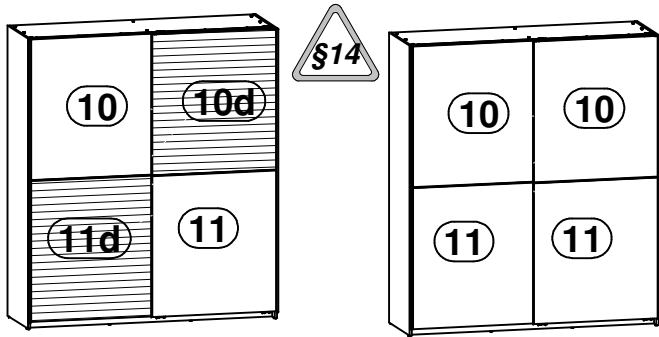
7



- |                |                  |                  |                |
|----------------|------------------|------------------|----------------|
| 2x<br><br>n194 | 2x<br><br>n195   | 1x<br><br>n196   | 2x<br><br>n198 |
| 2x<br><br>n199 | 4x<br><br>n76    | 16x<br><br>p19   | 1x<br><br>p25  |
| 72x<br><br>p93 | 2x<br><br>w118/3 | 2x<br><br>w118/4 |                |



8



9

