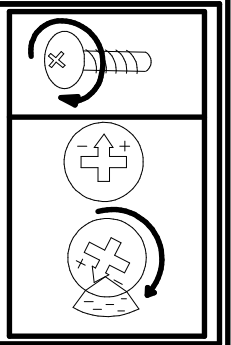
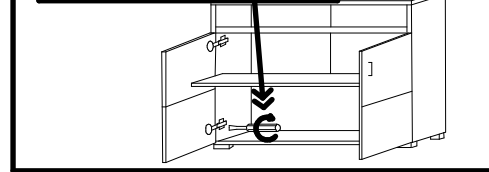
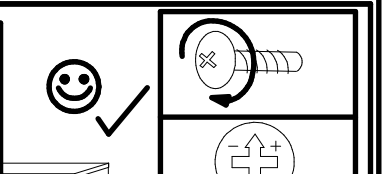
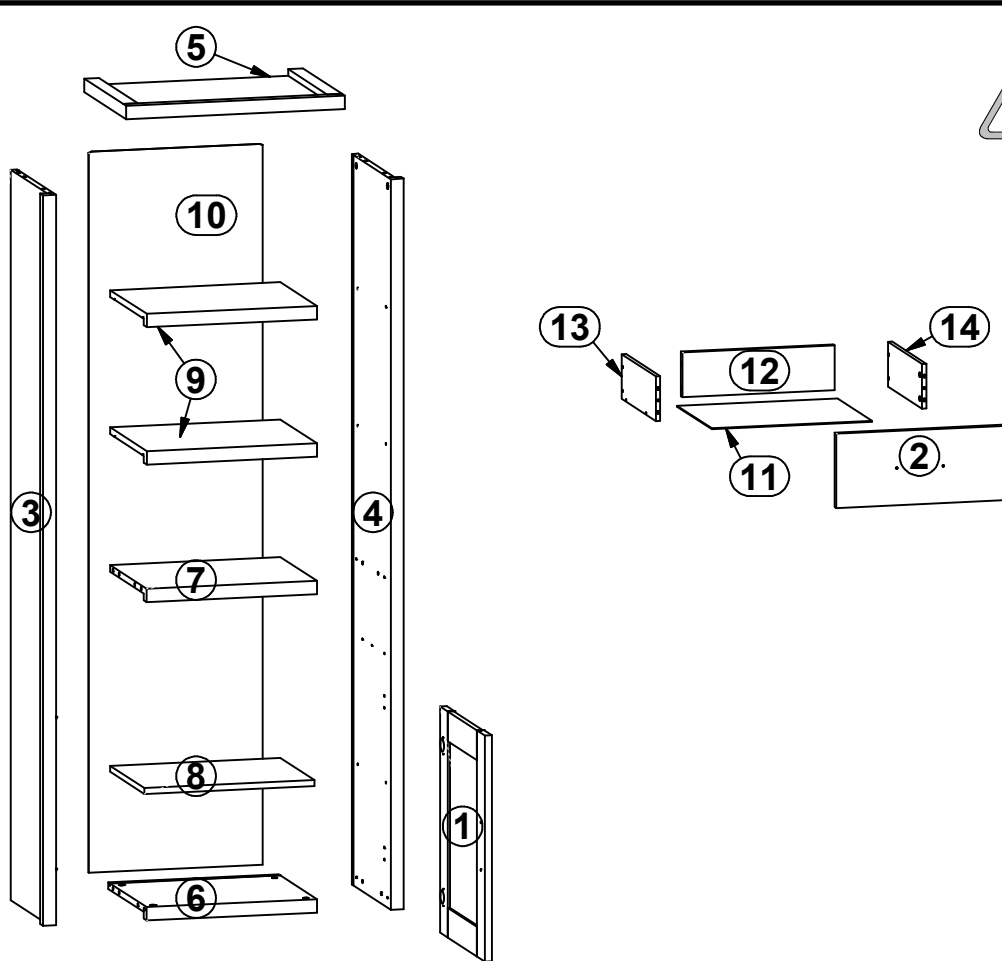
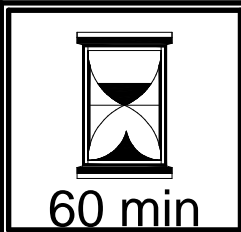
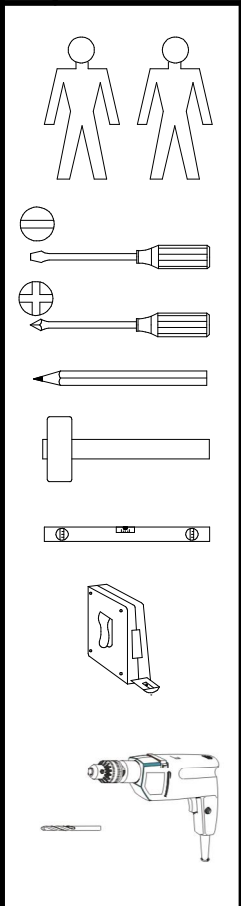
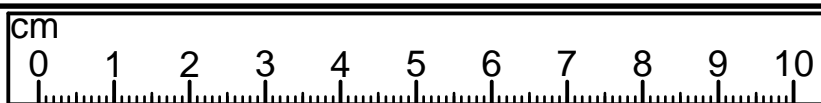
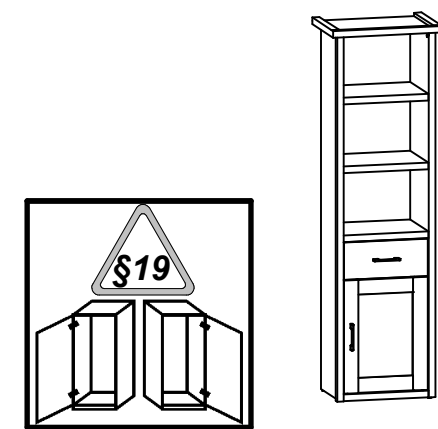


Mo	Tu	We	Th	Fr	Sa	Su
		1	2	3	4	5
6	7	8	9	10	11	12
13	14	15	16	17	18	19
20	21	22	23	24	25	26
27	28	29	30	31		



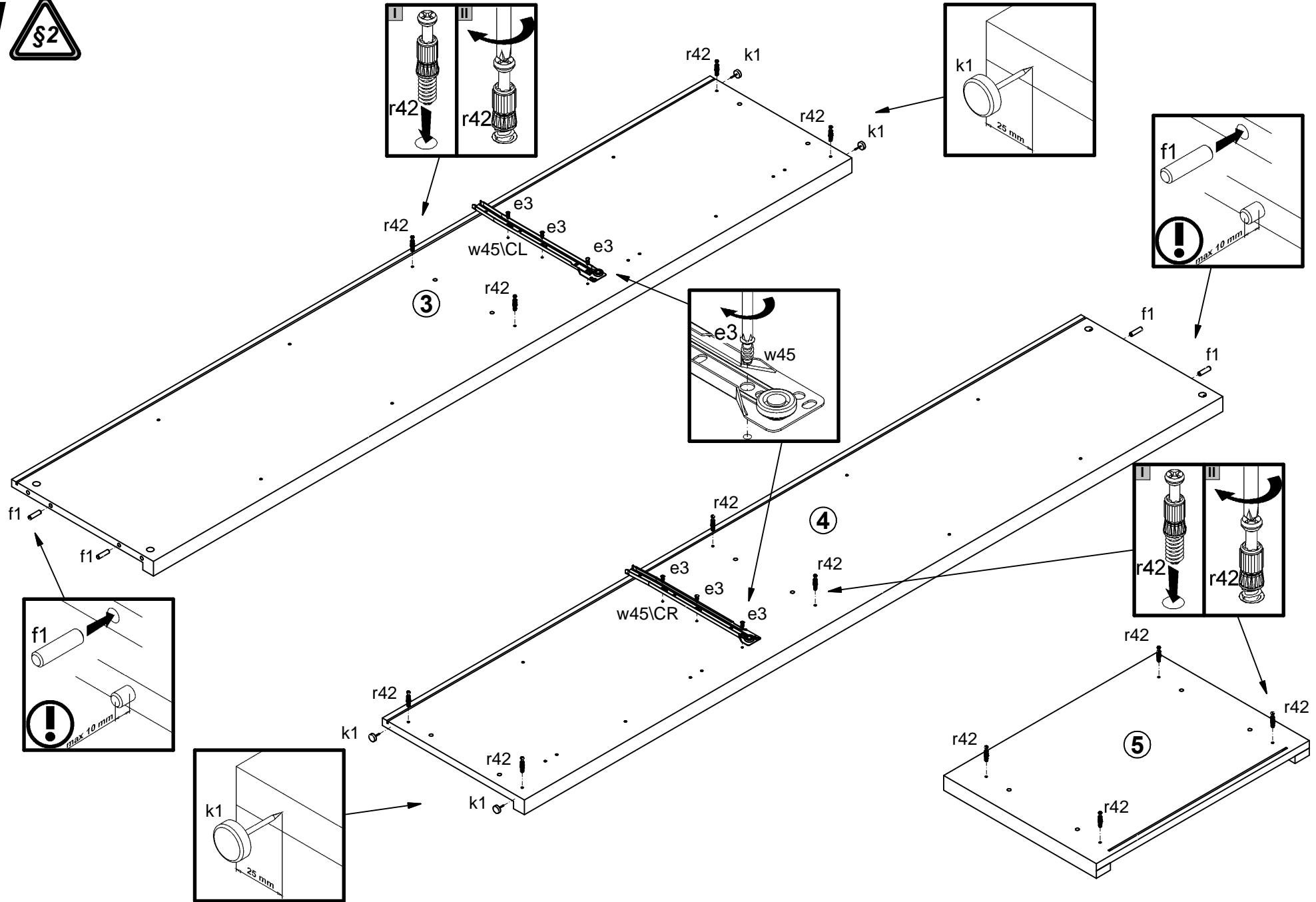


A	B	C (mm)		D
1	S328-008	608	459	2/2
2	S328-010	459	200	2/2
3	S328-120	1964	399	1/2
4	S328-121	1964	399	1/2
5	S328-206	599	429	2/2
6	S328-316	467	391	2/2
7	S328-317	467	375	2/2
8	S328-319	466	350	2/2
9	S328-320	466	375	2/2
10	S328-914	1938	477	1/2
11	S328-915	355	440	2/2
12	ZS3-5561	418	120	2/2
13	ZS4-501	350	120	2/2
14	ZS4-502	350	120	2/2



2x K16 a43	2x DS b19	2x 128 mm c406	12x Ø5x17 mm d1	6x Ø6x13 mm e3	4x Ø5x9 mm e19	12x Ø8x30 mm f1	2x Ø6x30 mm f9	4x Ø6,5x40 mm f25	4x M4x25 mm j8	4x k1	5x l1	18x I2
1x 81x21x15/1,5 n14	5x Ø3,5x16 mm p38	4x Ø3,5x15 mm p51	12x Ø15x12 mm #16 r1	4x Ø12x10,5 mm #12 r15	16x 20/11 r42	1x 350 mm w45\CL	1x 350 mm w45\CR	1x 350 mm w45\DL	1x 350 mm w45\DR	8x Ø16 s2		

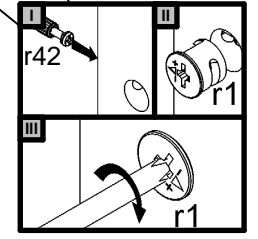
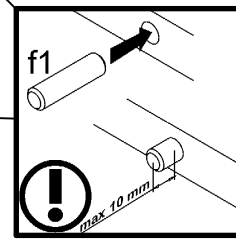
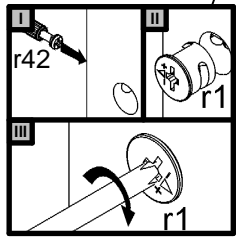
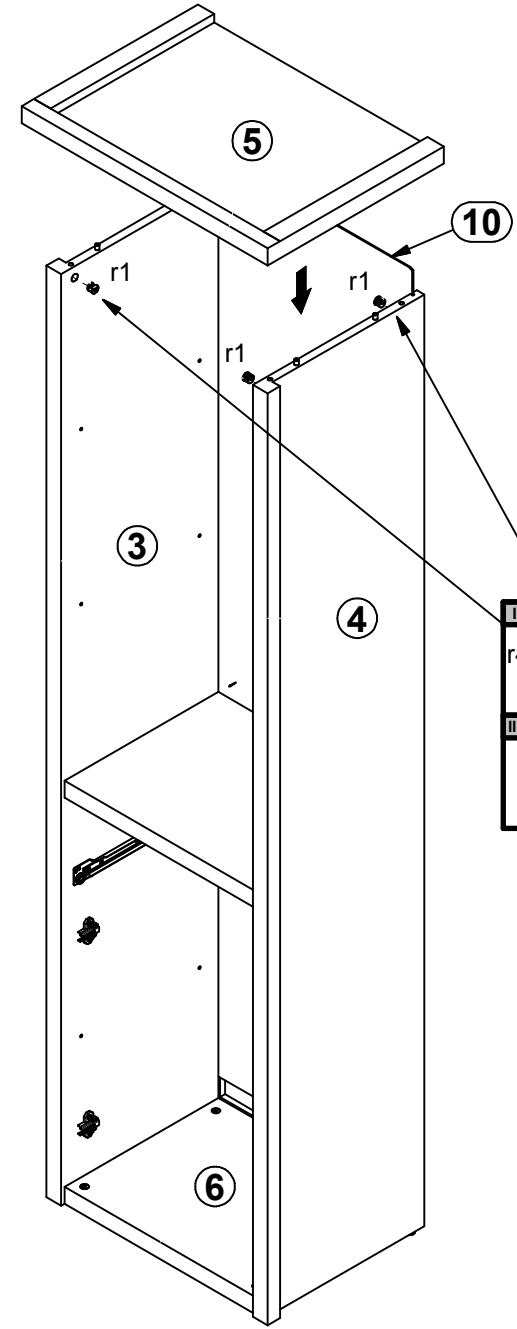
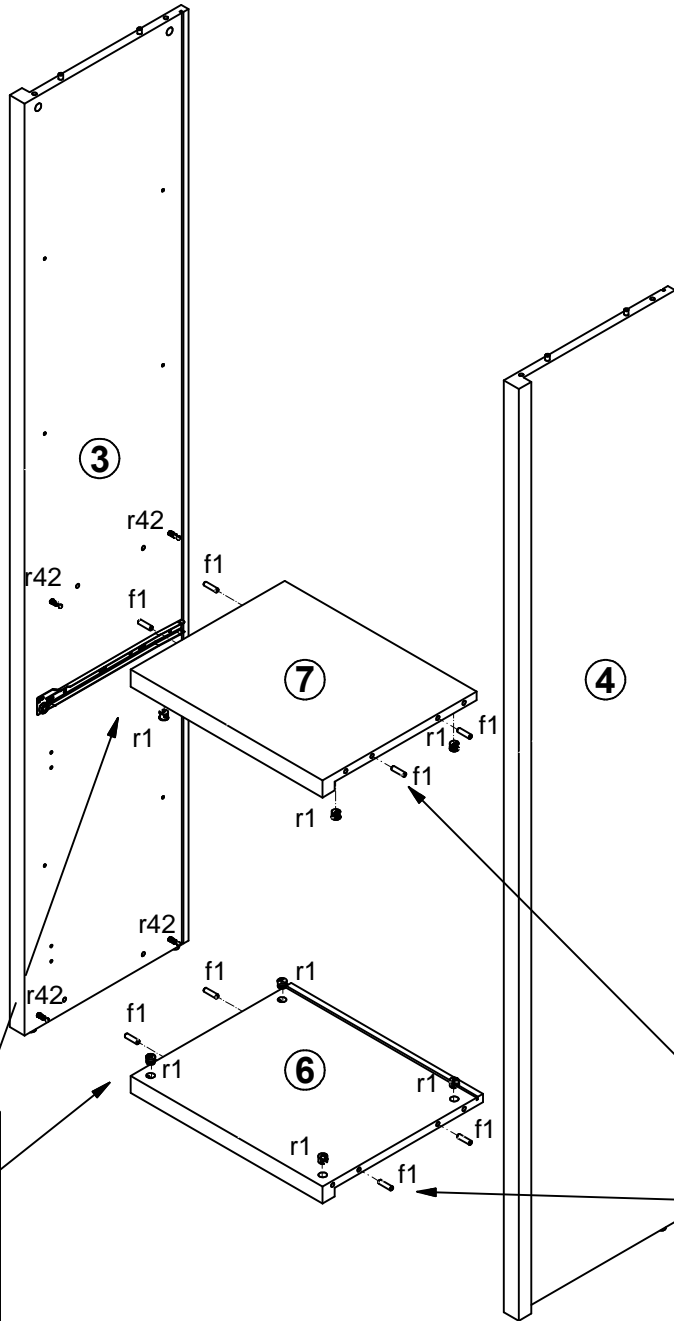
1 



2 

I

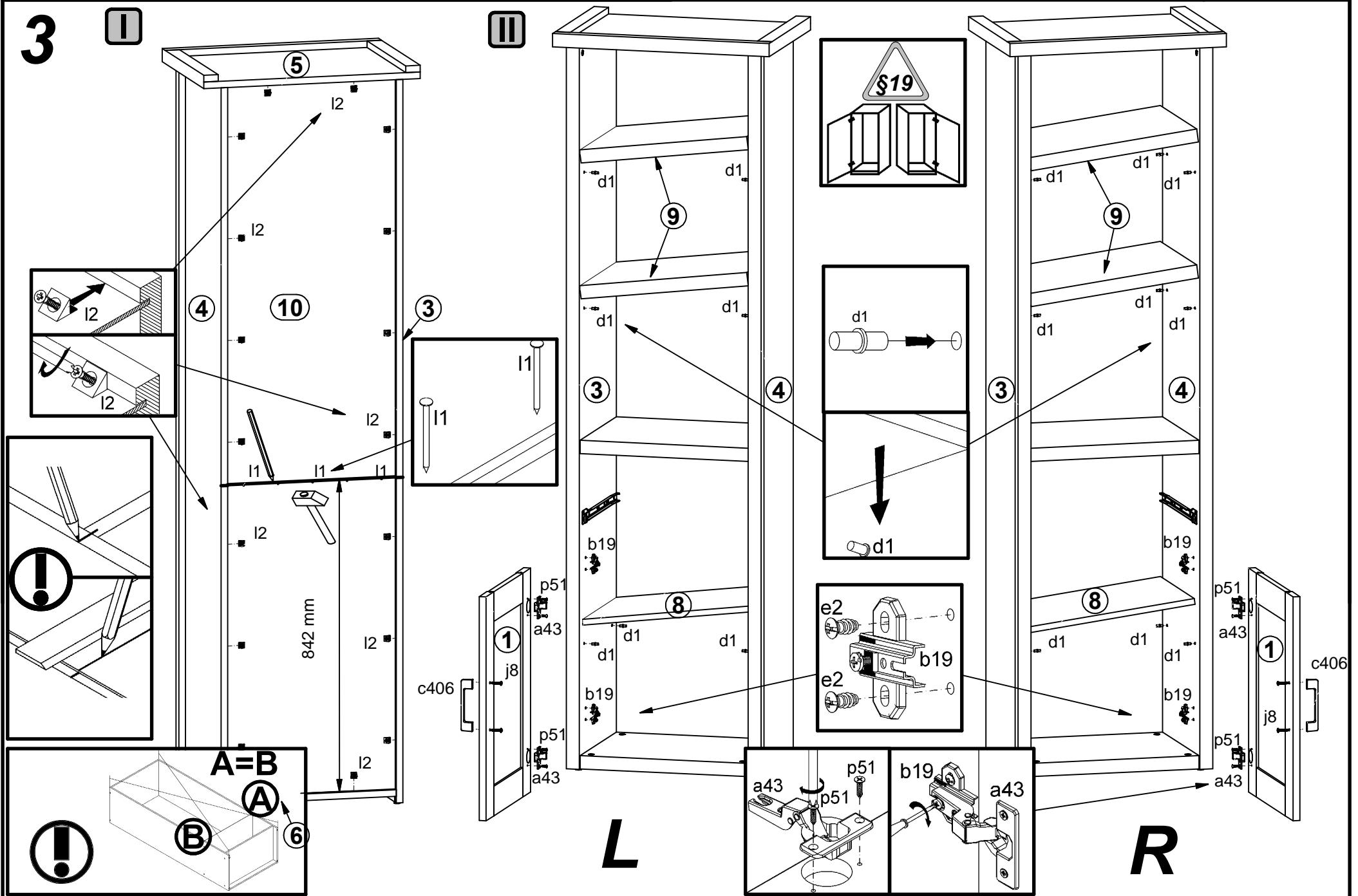
II



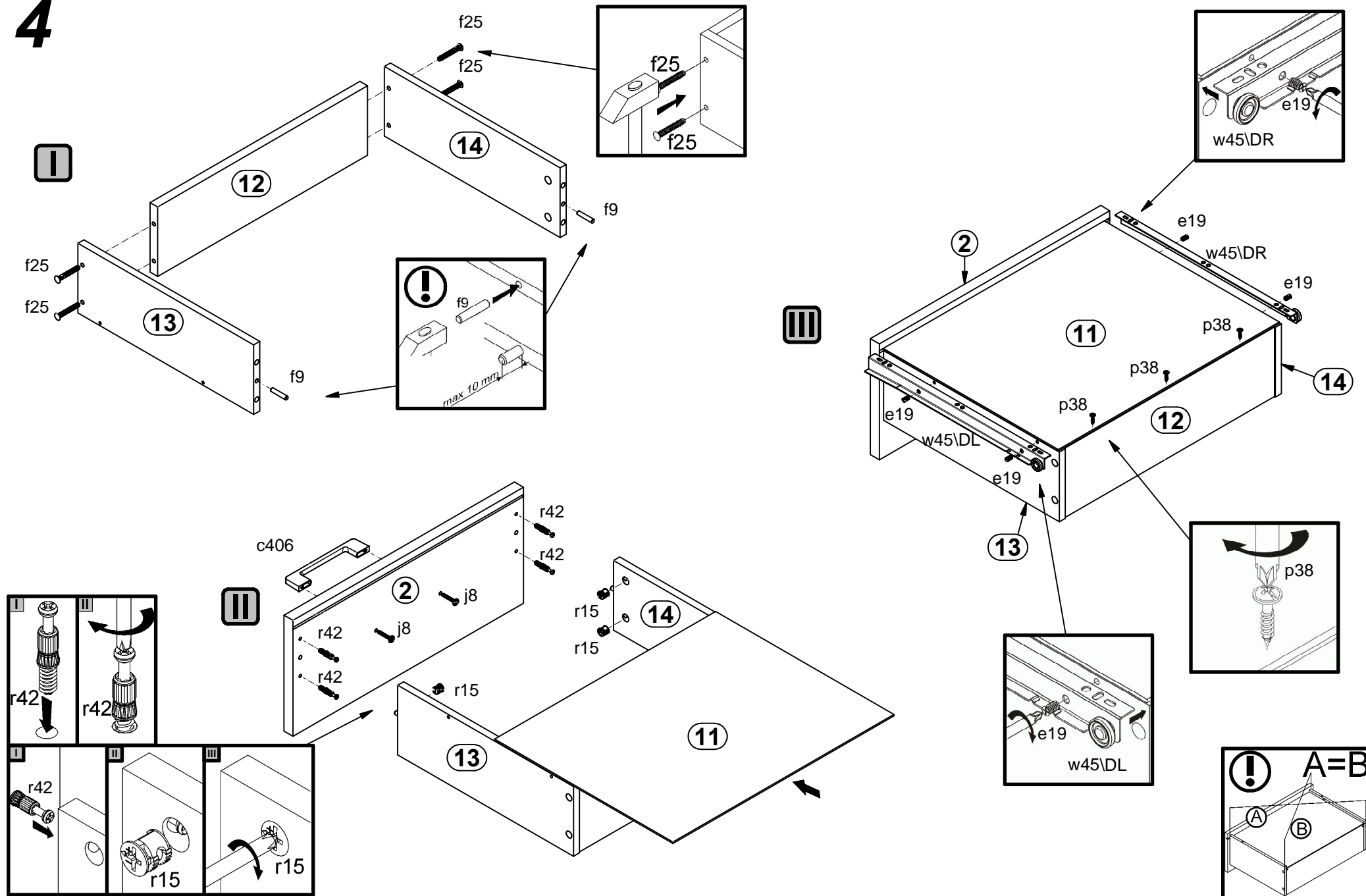
3

I

II



4



5

