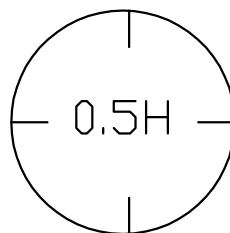
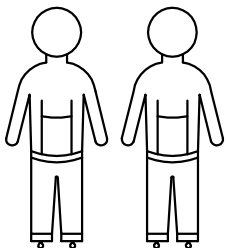
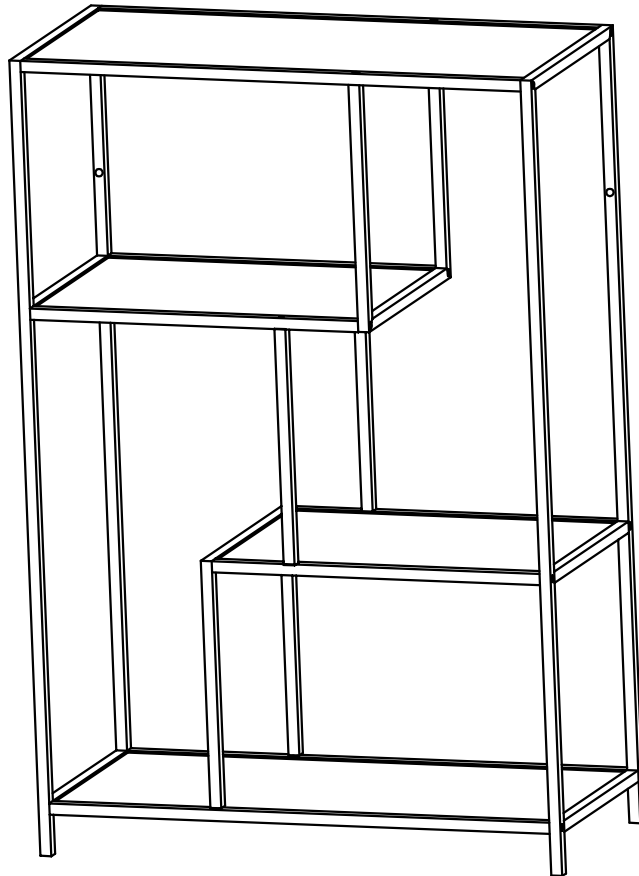
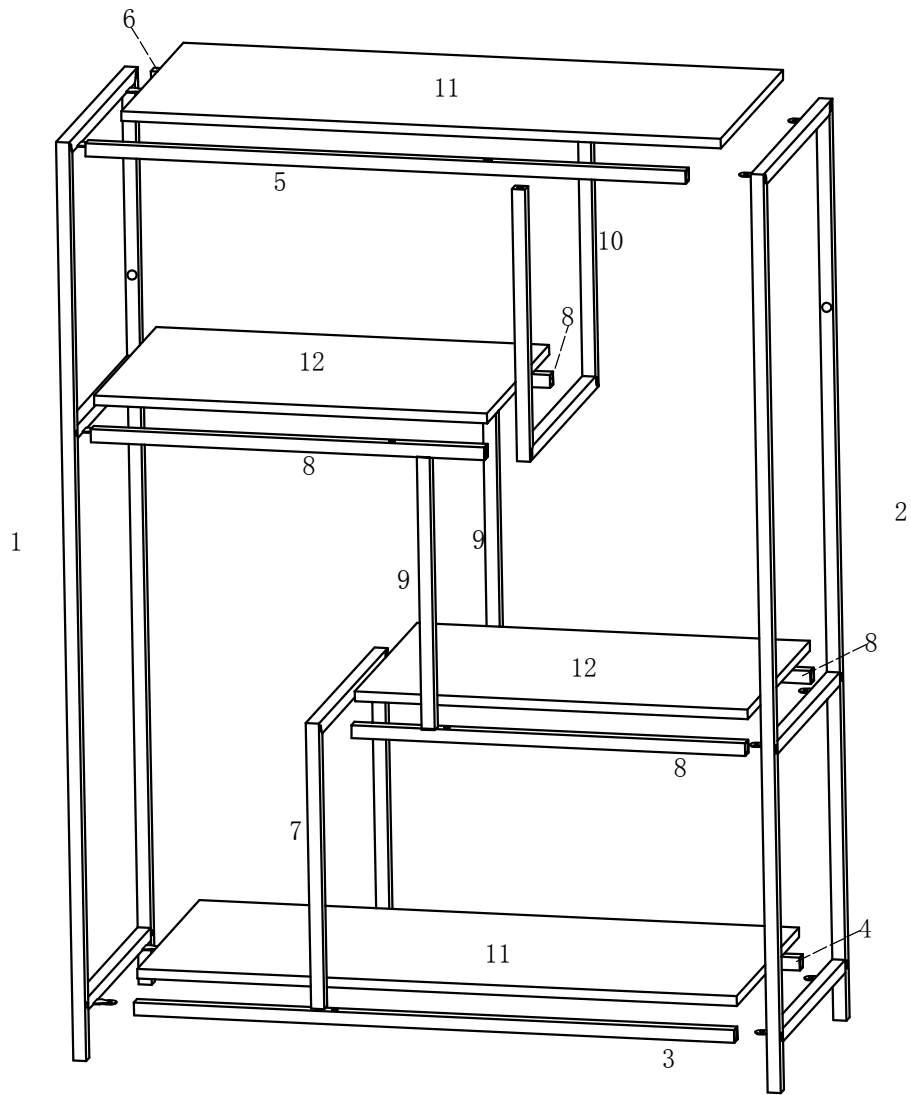
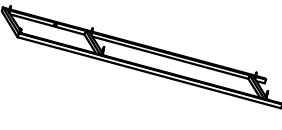
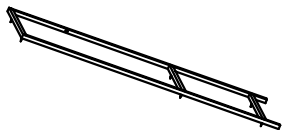











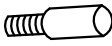

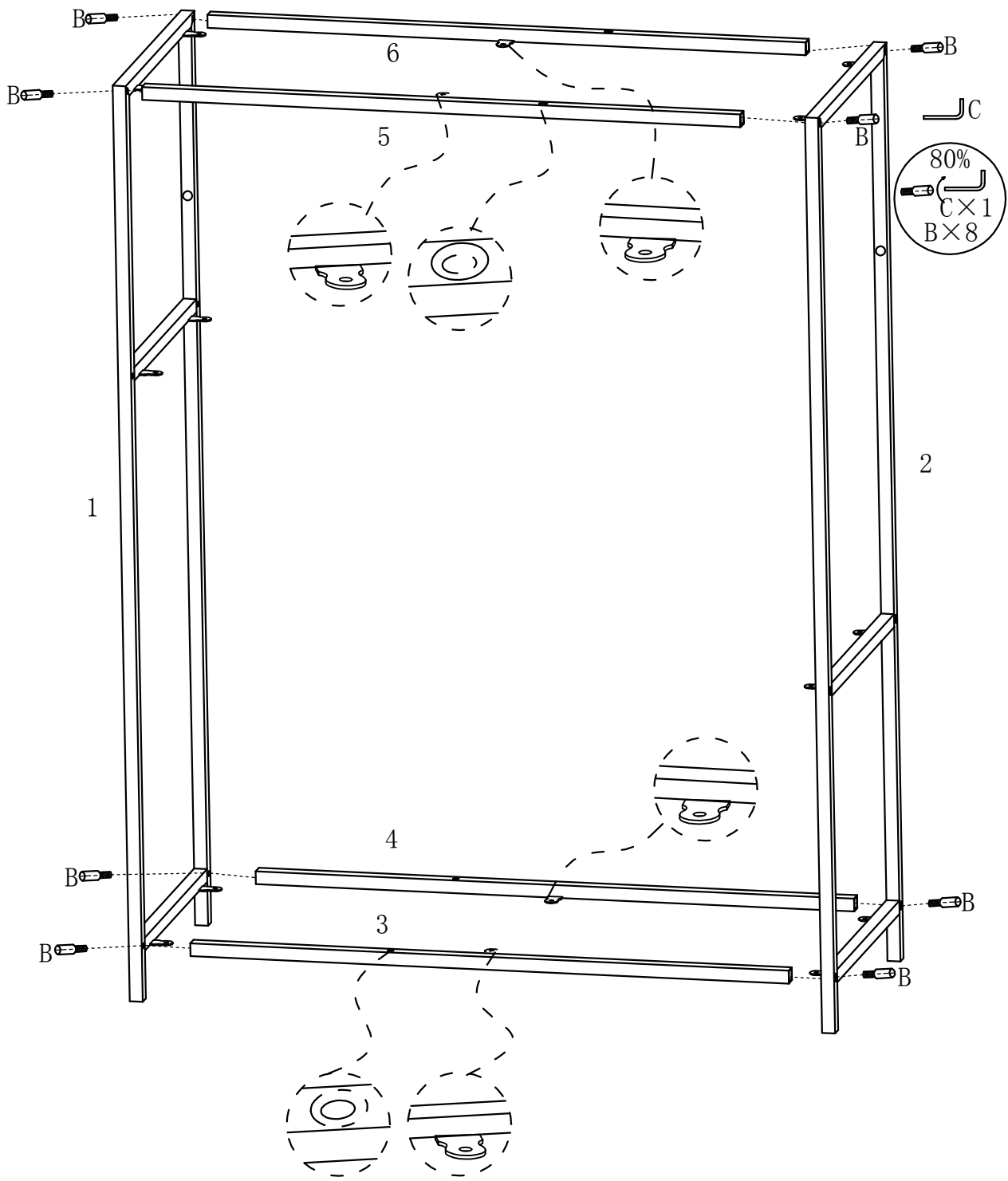


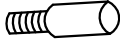

Seaford

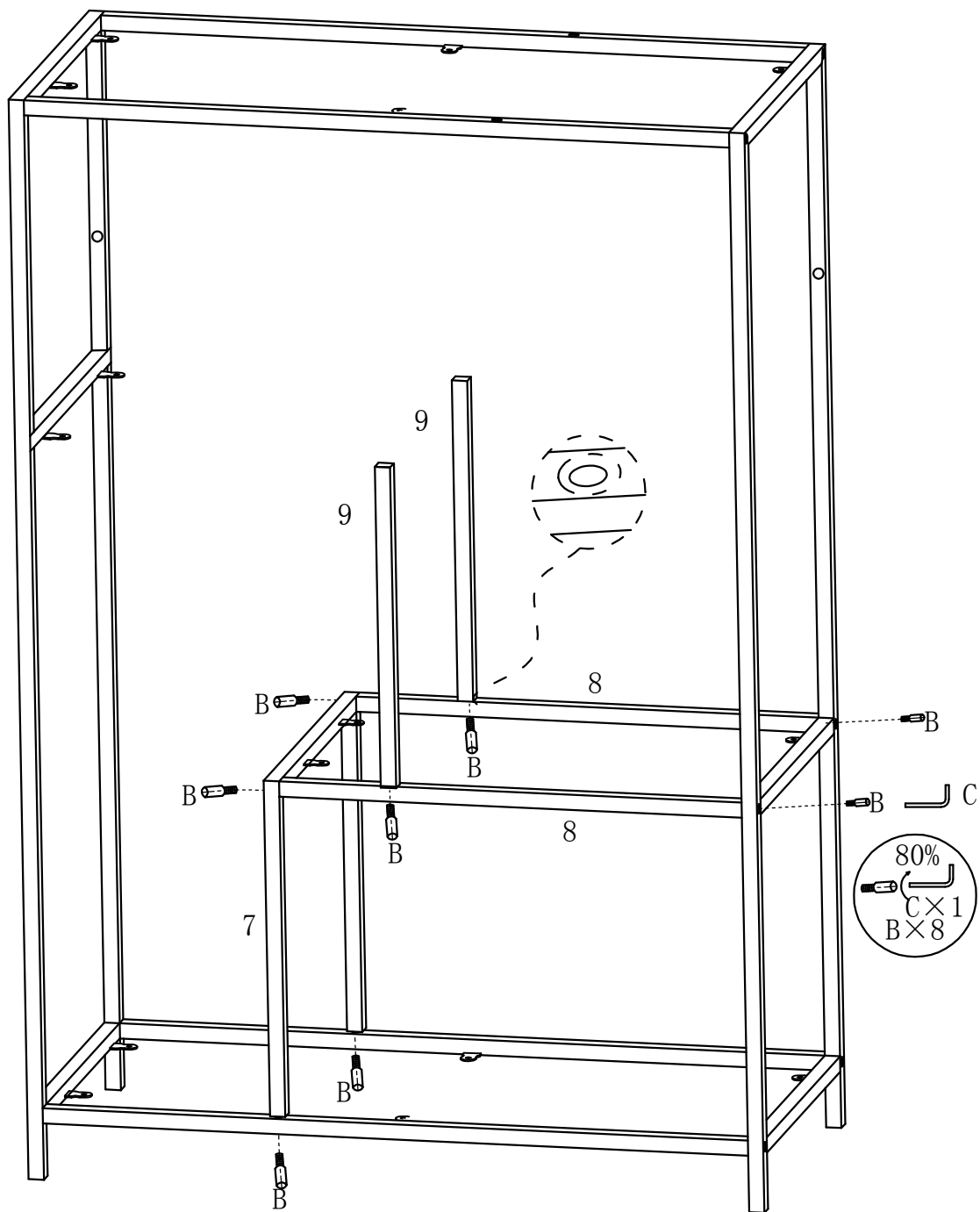






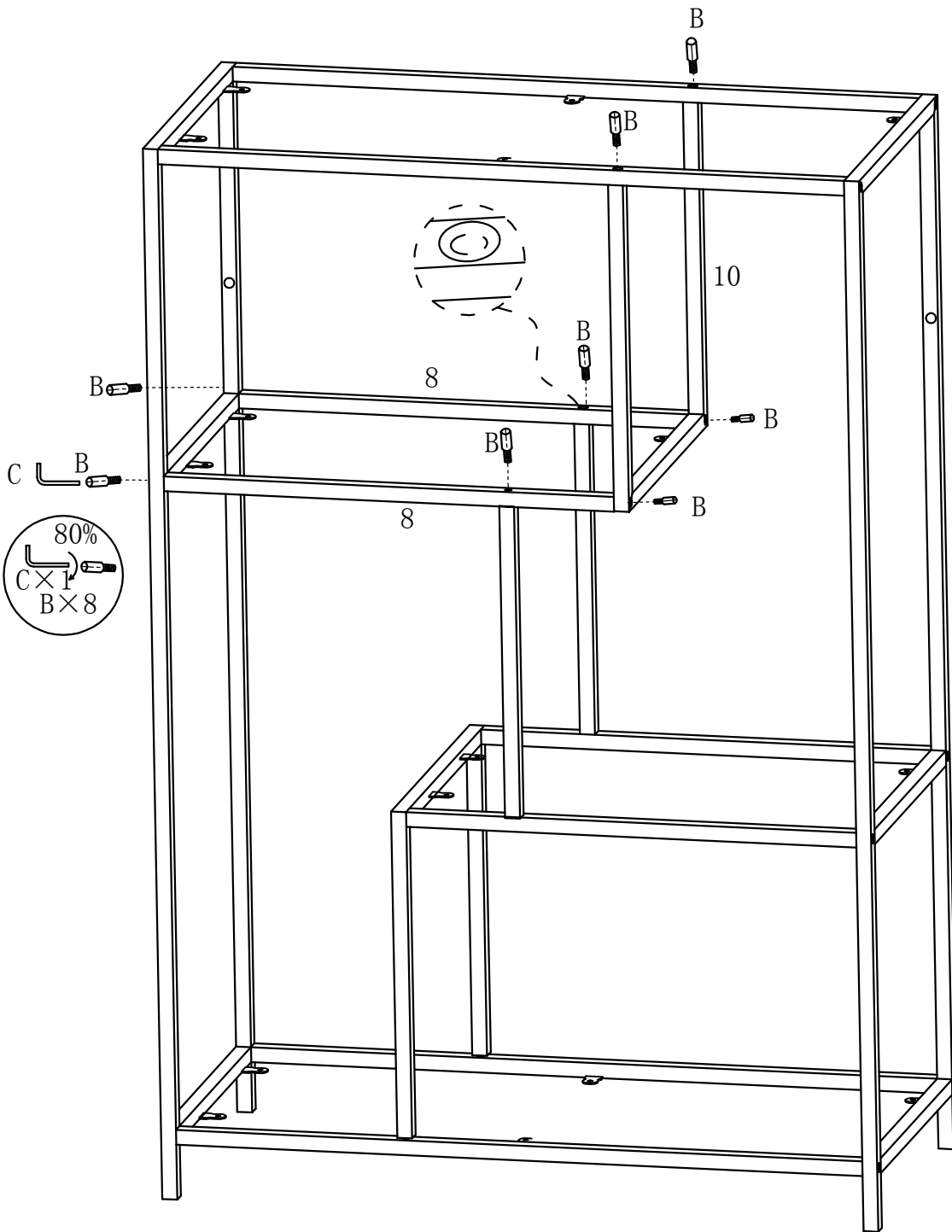
1  1PC	2  1PC	3  1PC	4  1PC	5  1PC
6  1PC	7  1PC	8  4PCS	9  2PCS	10  1PC
11  2PCS	12  2PCS	A M4 × 10mm  20PCS	B M6 × 15mm  24PCS	C 4mm  1PC

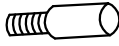



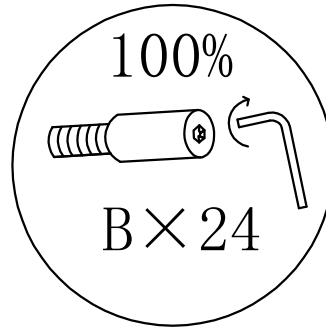
<p>B</p> <p>M6 × 15mm</p>  <p>8PCS</p>	<p>C</p> <p>4mm</p>  <p>1PC</p>
---	---



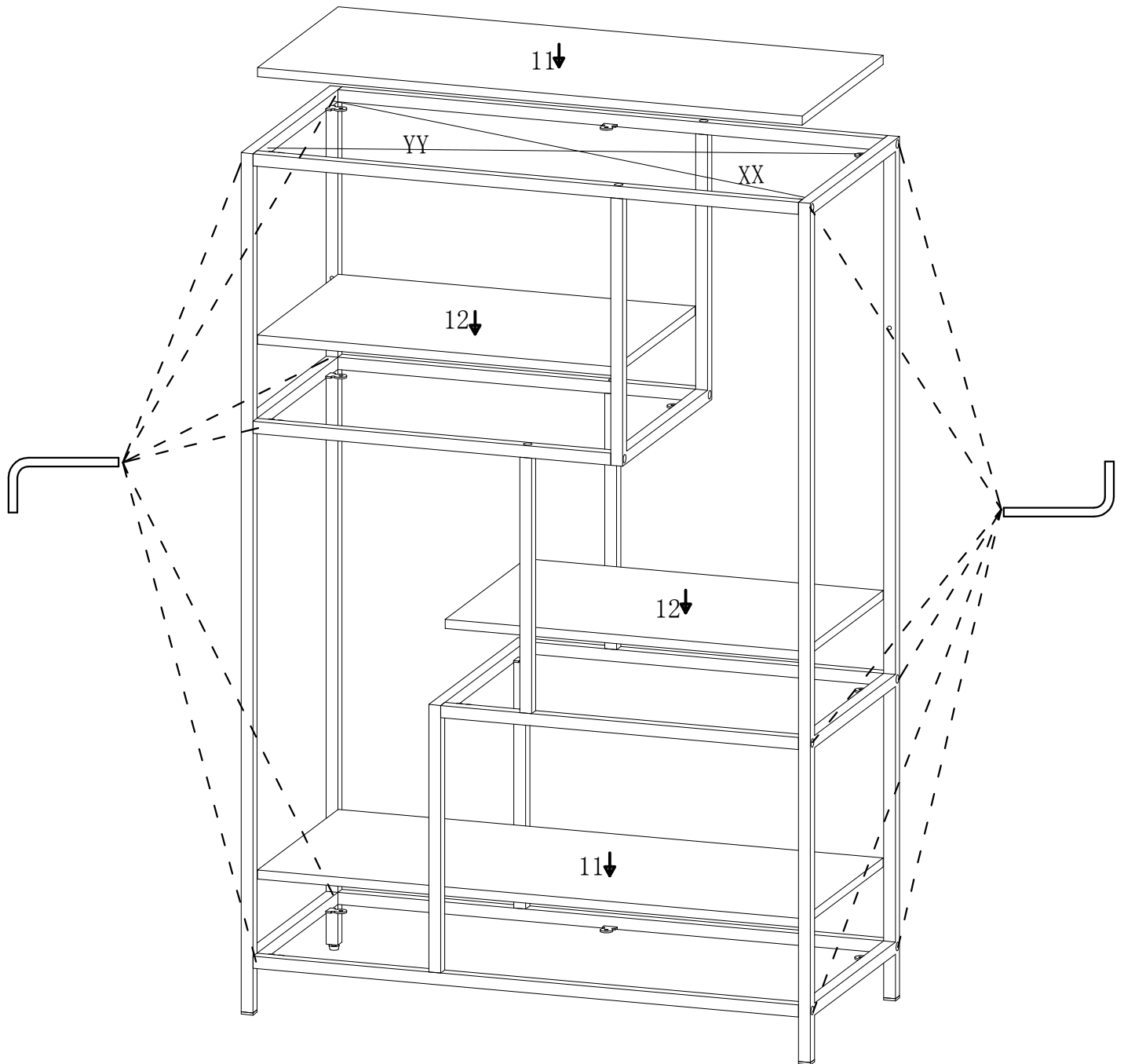
<p>B</p> <p>M6 × 15mm</p>  <p>8PCS</p>	<p>C</p> <p>4mm</p>  <p>1PC</p>
---	---

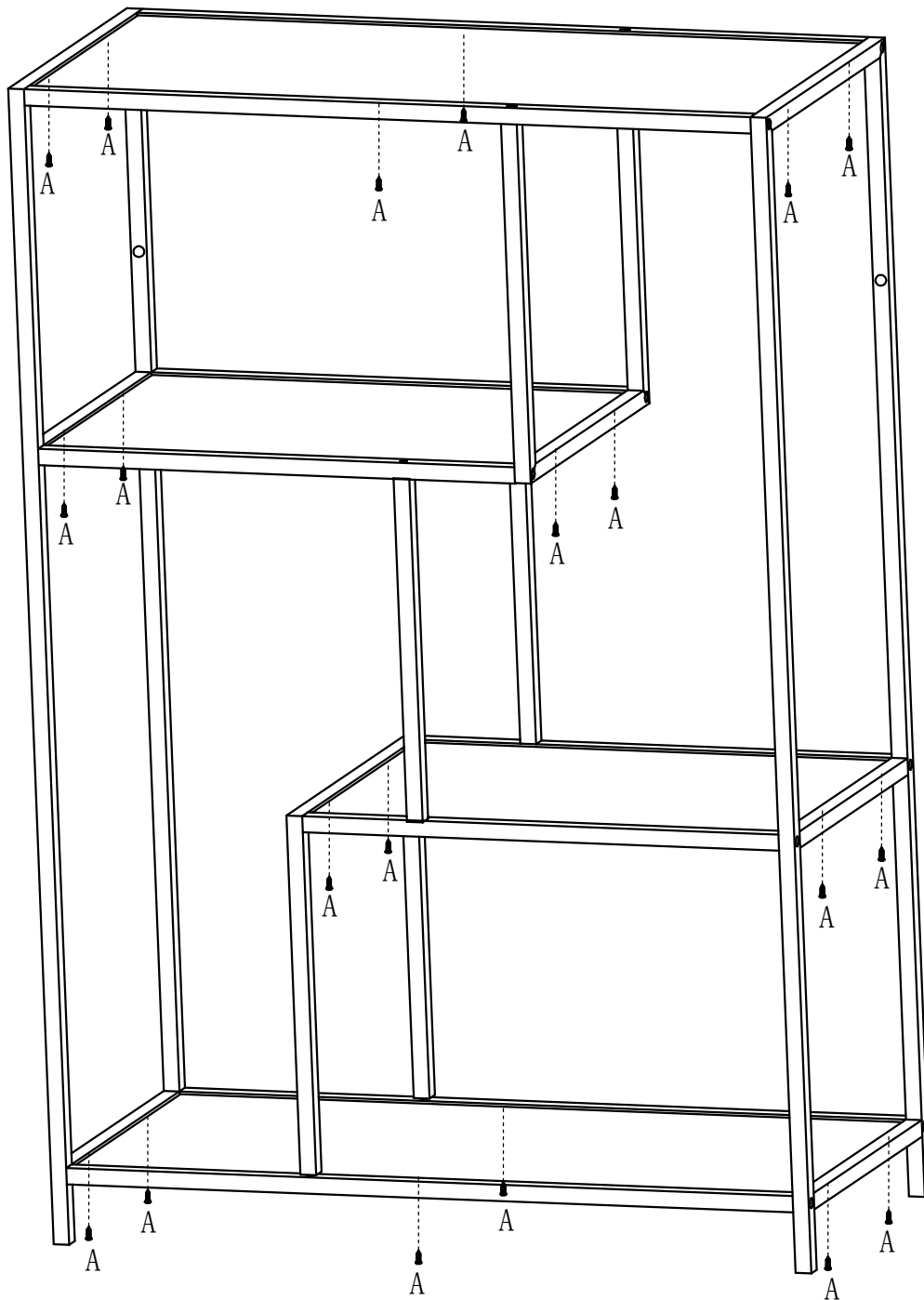


<p>B</p> <p>M6 × 15mm</p>  <p>8PCS</p>	<p>C</p> <p>4mm</p>  <p>1PC</p>
---	---




⚠ XX=YY





A

M4 × 10mm



20PCS

