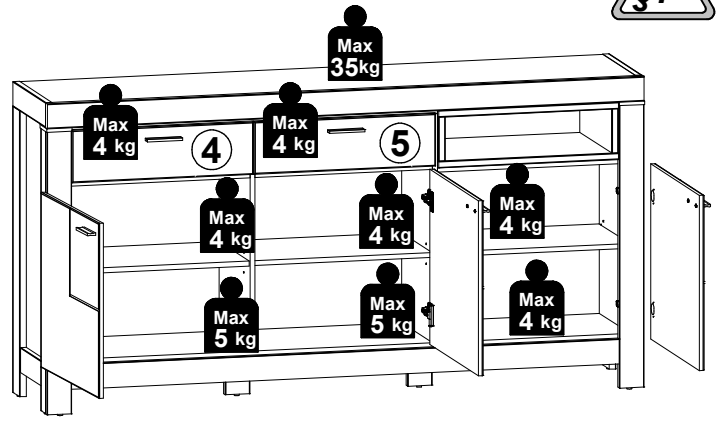
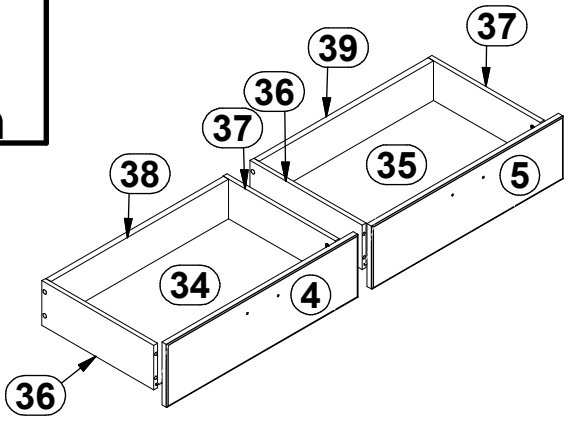
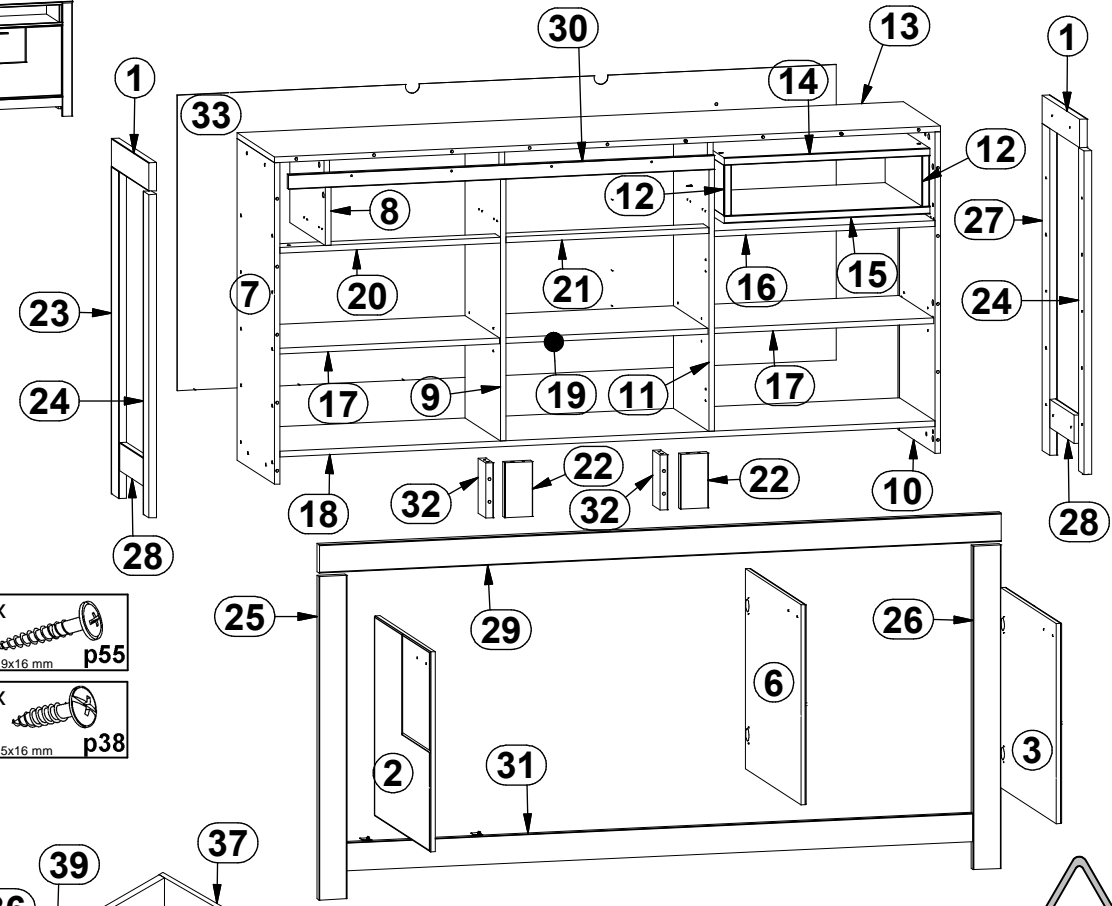


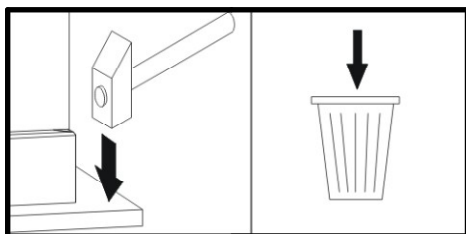
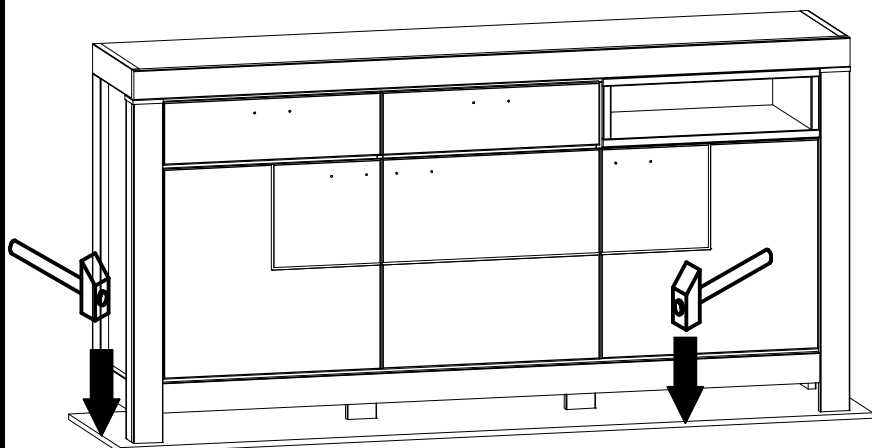
- 5x c429/3
- 10x j30
M4x22 mm
- 10x k1
- o75l2
- o80l3
- 6x s2
Ø16
- 4x p55
Ø2,9x16 mm
- 2x n14l2
86x21x15/1,5
- 4x p38
Ø3,5x16 mm
- 2x p17
Ø5x60 mm
- 2x f35
Ø10x50 mm



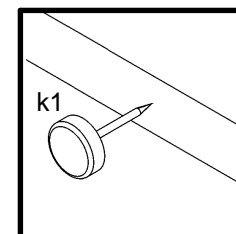
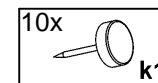
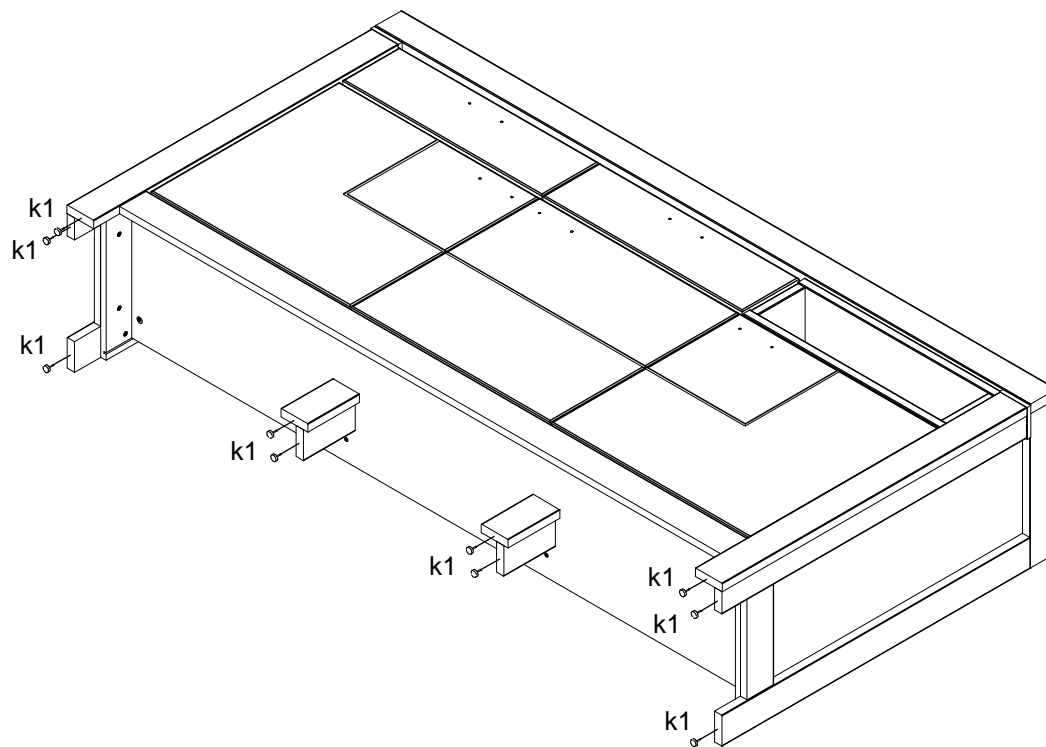
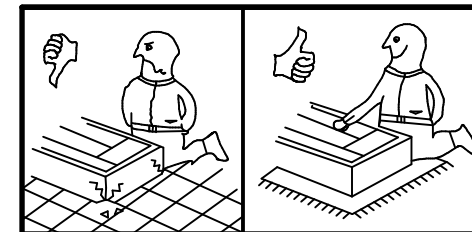
40 min

A	B	C (mm)		D
1	S228-5506	401	80	1/1
2	S271-0004	565	597	1/1
3	S271-0012	565	597	1/1
4	S271-0019	170	597	1/1
5	S271-0020	170	597	1/1
6	S271-0021	565	597	1/1
7	S271-1067	908,	401	1/1
8	S271-1070	240,5	381	1/1
9	S271-1071	815,5	381	1/1
10	S271-1072	908	401	1/1
11	S271-1073	815,5	381	1/1
12	S271-1074	142	395	1/1
13	S271-2061	1918	401	1/1
14	S271-2062	592	397	1/1
15	S271-2063	592	397	1/1
16	S271-3059	635	381	1/1
17	S271-3061	634	371	1/1
18	S271-3062	1886,	381	1/1
19	S271-3063	583	371	1/1
20	S271-4053	635	60	1/1
21	S271-4054	584	60	1/1
22	S271-5059	155	80	1/1
23	S271-5070	923,	80	1/1
24	S271-5071	913,	58,	1/1
25	S271-5072	913,	80	1/1
26	S271-5075	913,	80	1/1
27	S271-5076	923	80	1/1
28	S271-5077	263	80,	1/1
29	S271-5080	1963	80	1/1
30	S271-5082	1226	40	1/1
31	S271-5091	1803	80,	1/1
32	S271-5093	155	80	1/1
33	S271-9054	834	1897	1/1
34	WSP-9145	564	358	1/1
35	WSP-9148	554	358	1/1
36	WSQ3-505	350	120	1/1
37	WSQ3-506	350	120	1/1
38	WTQ-5226	554	107	1/1
39	WTQ-5227	544	107	1/1

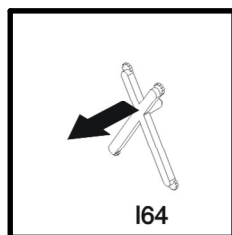
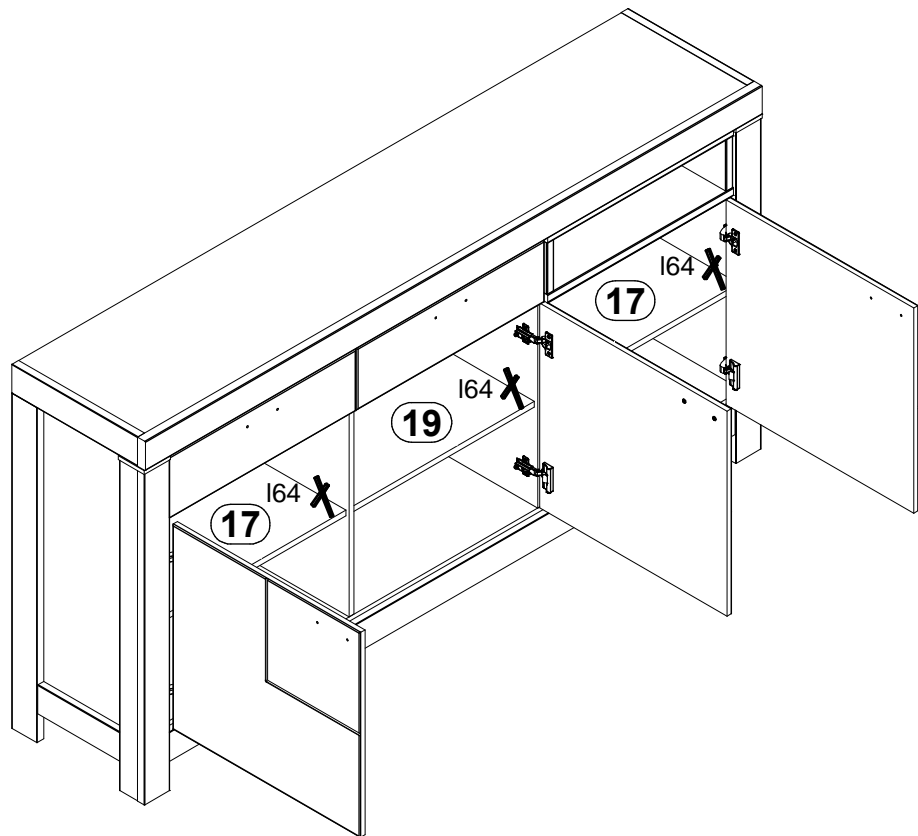
1



2

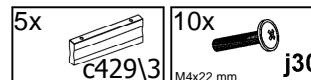
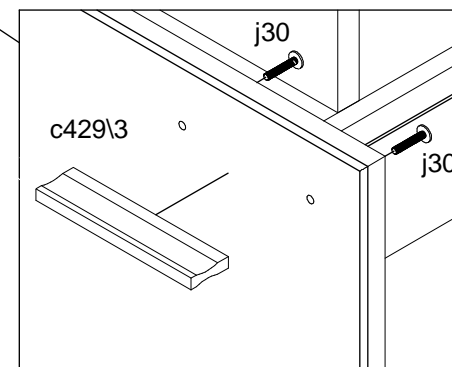
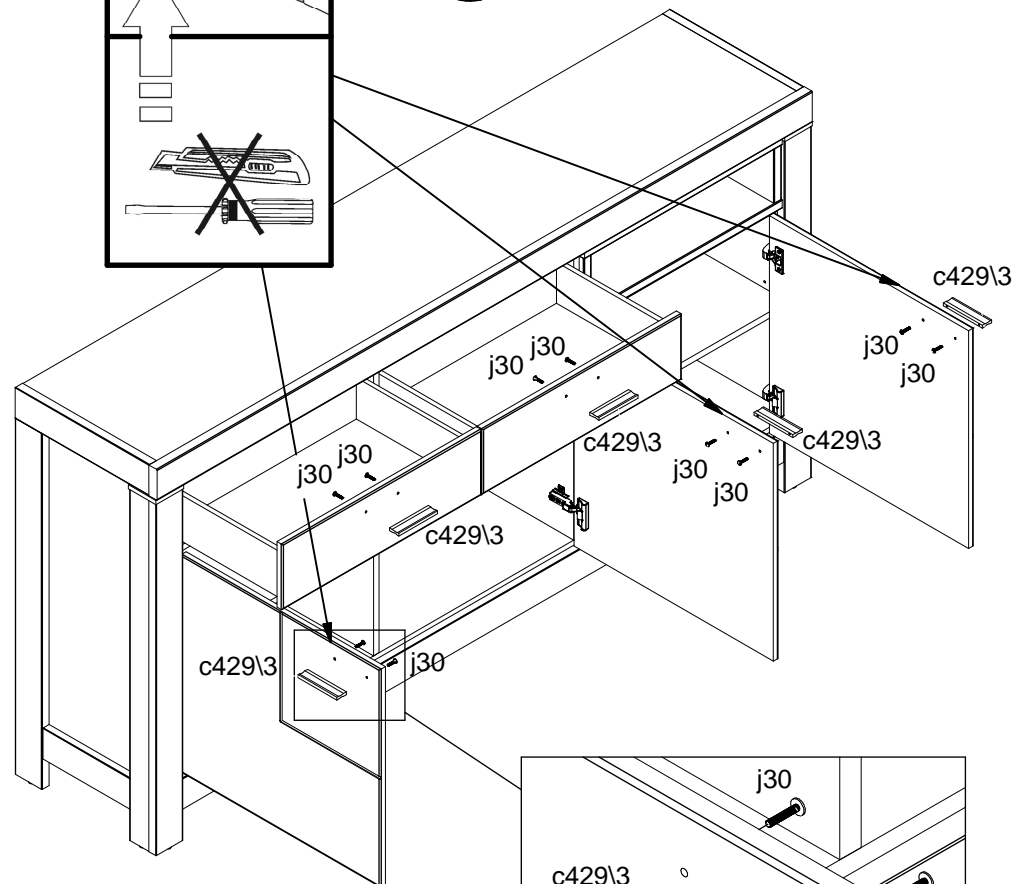
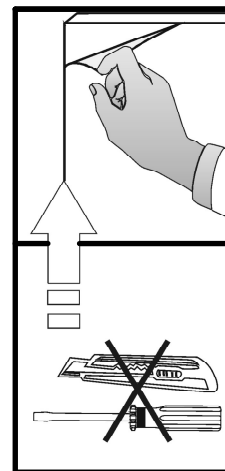


3

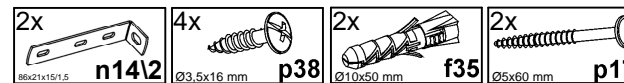
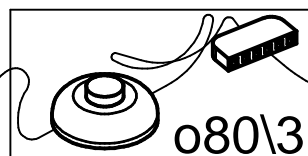
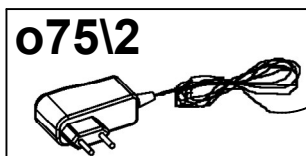
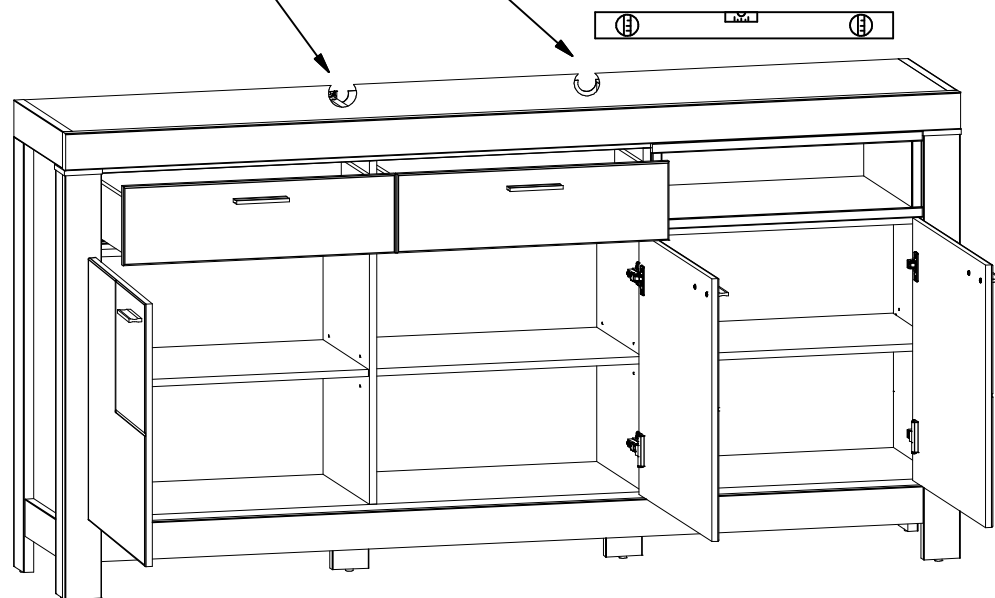
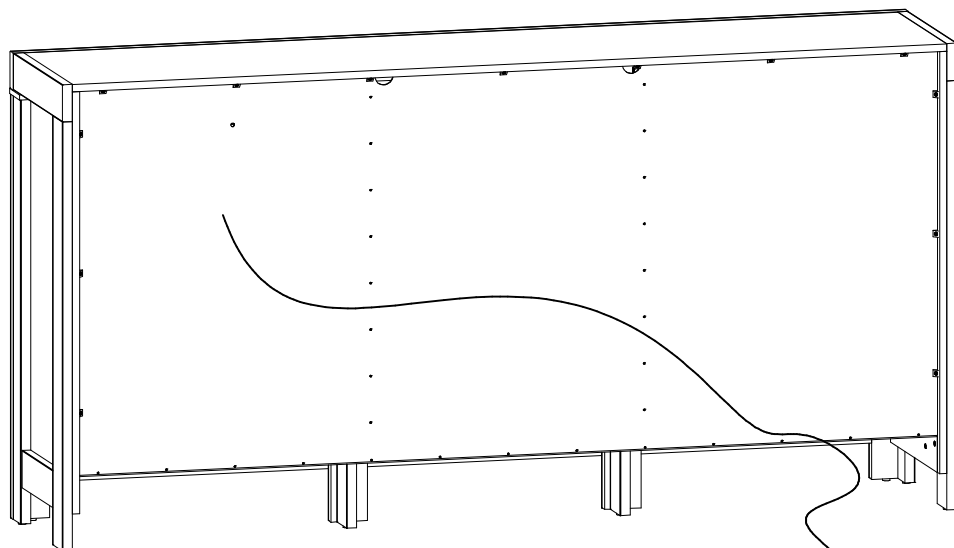
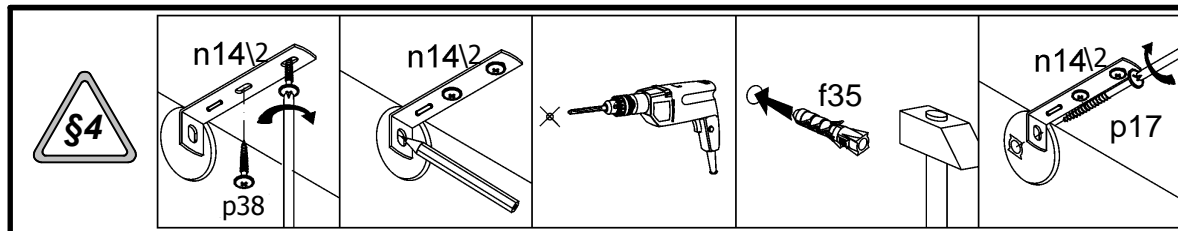
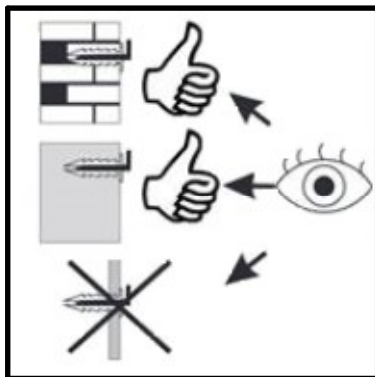


4

40543W21



5



6

