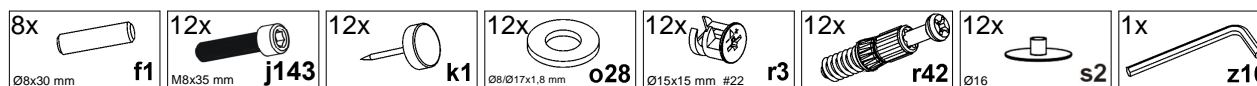
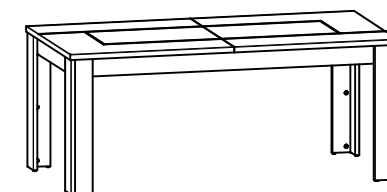
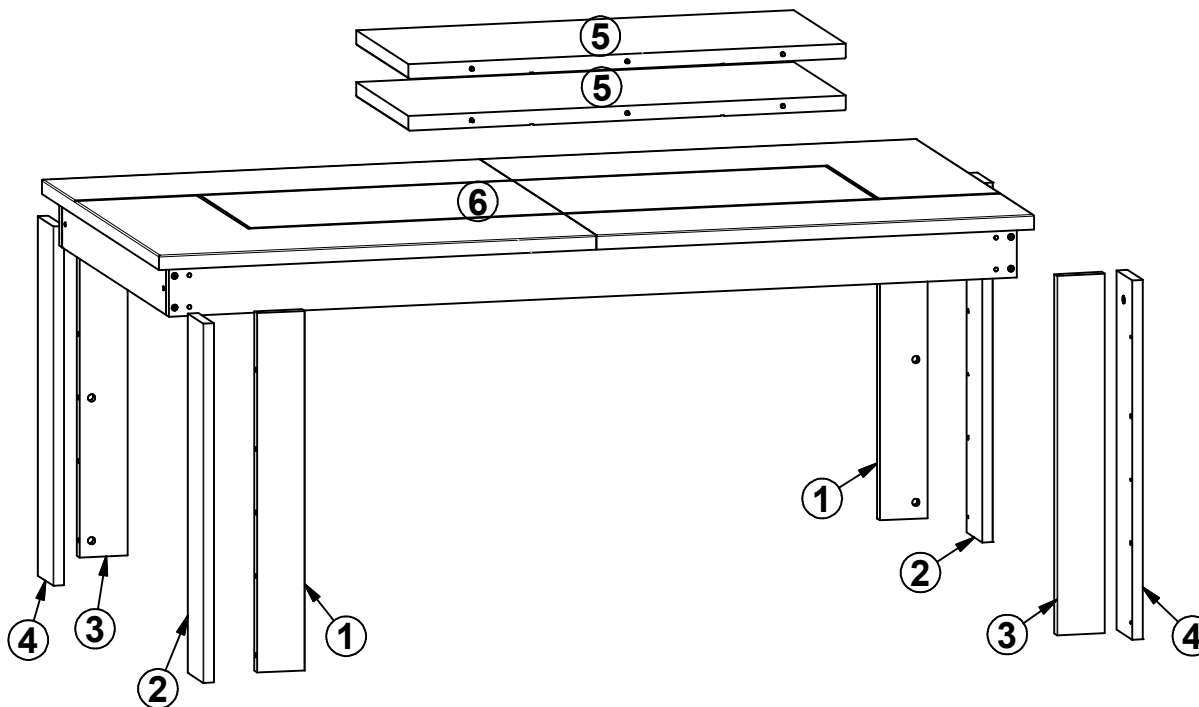


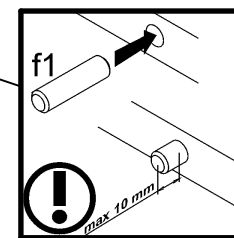
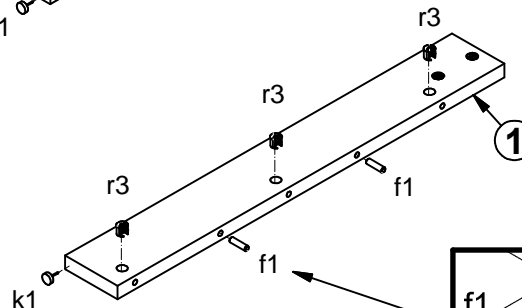
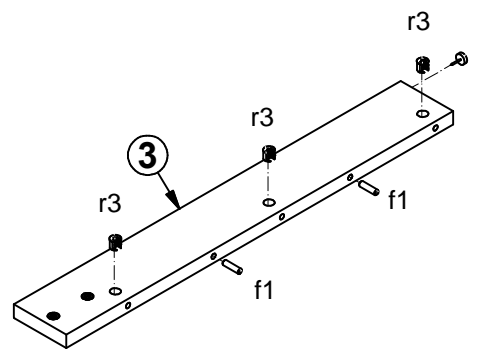
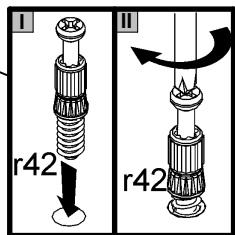
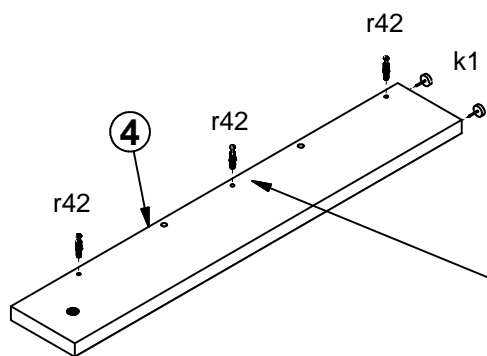
90 min



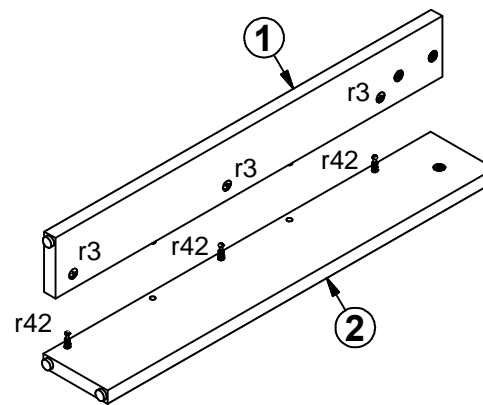
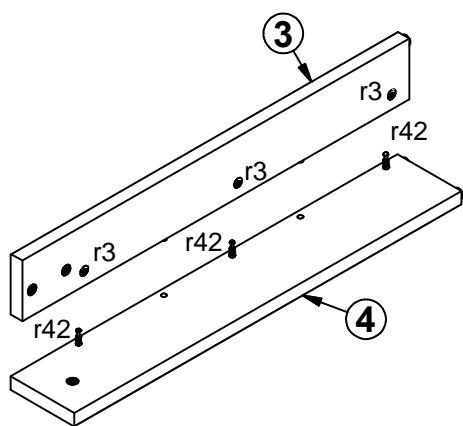
A	B	C (mm)		D
6	S271-Z001	1799	900	1/2
5	S271-2013		900	1/2
1	S214-5524A	725	98	2/2
2	S214-5525A	725	120	2/2
3	S214-5526A	725	98	2/2
4	S214-5527A	725 </td <td>120</td> <td>2/2</td>	120	2/2

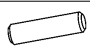





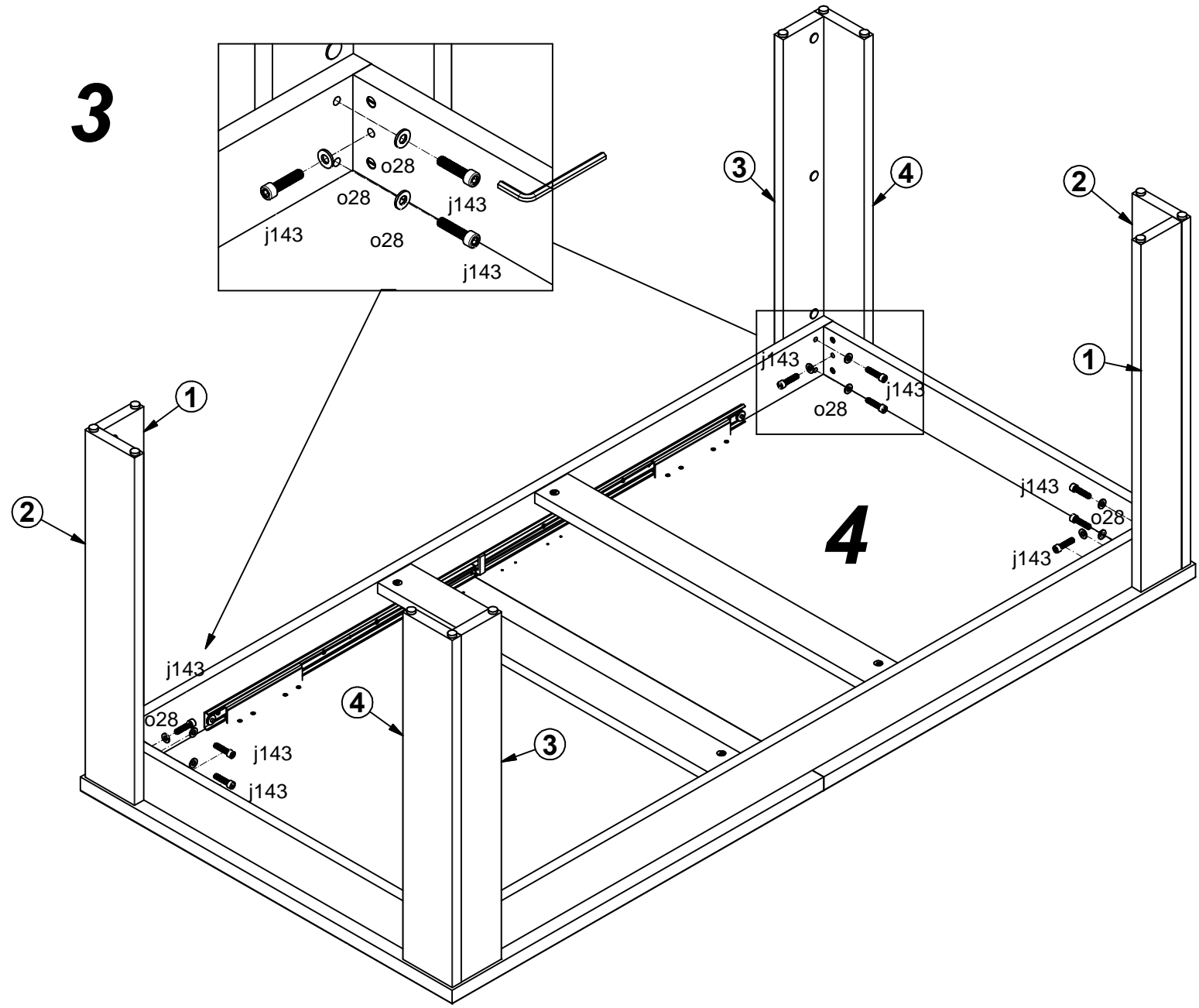
1 

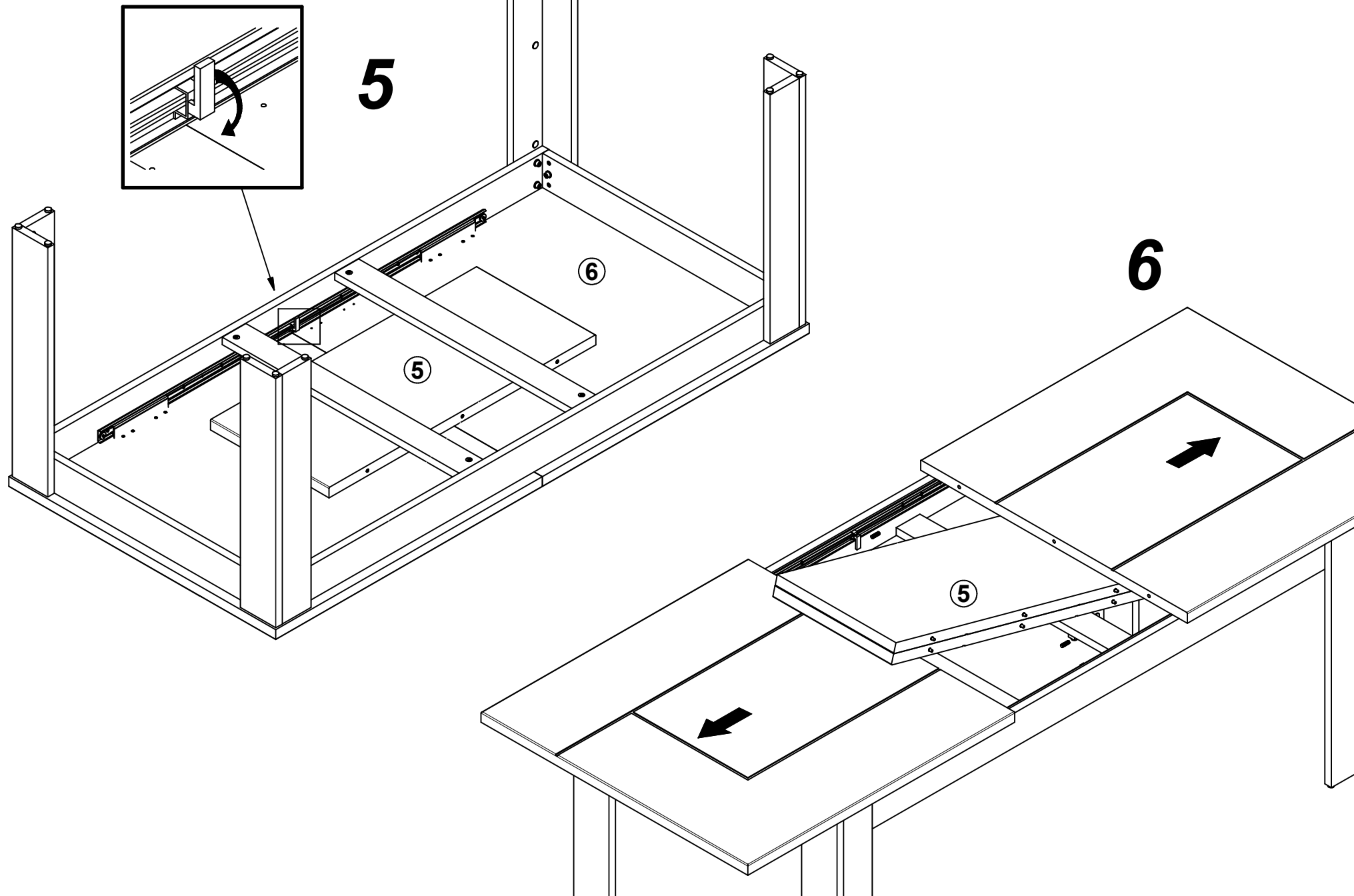


2 



- 8x

Ø8x30 mm
f1
- 12x

Ø15x15 mm #22
r3
- 12x

r42
- 12x

k1





7

