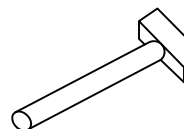
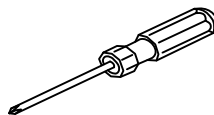
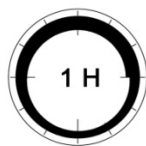
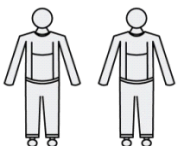
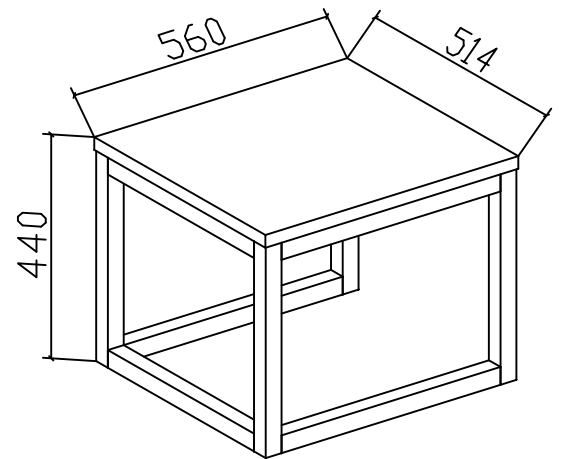
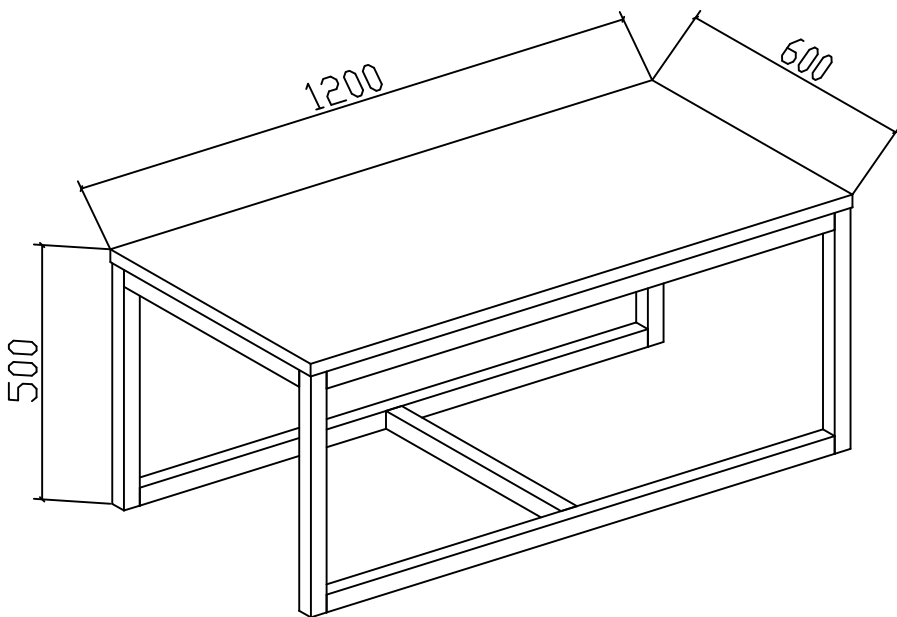
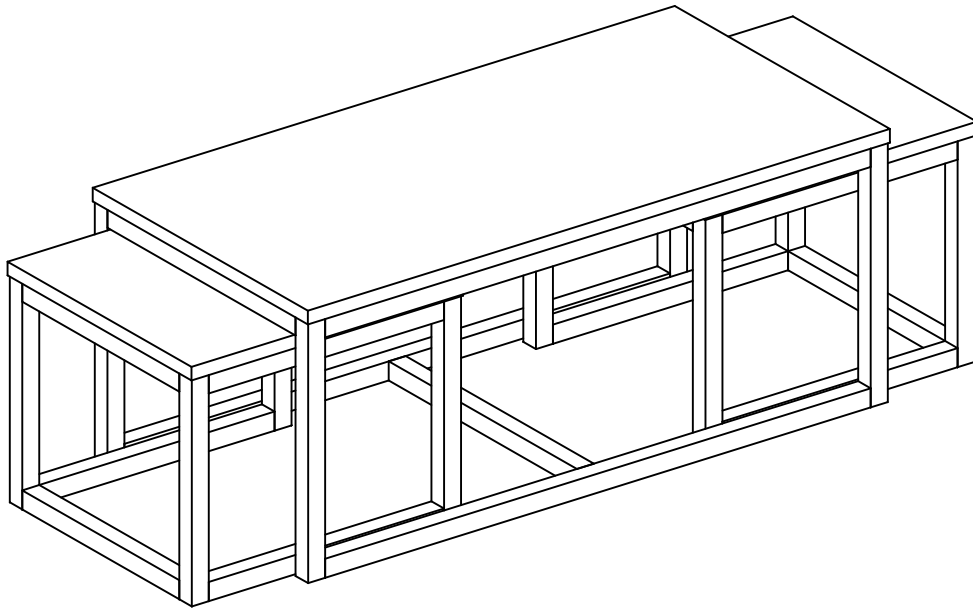
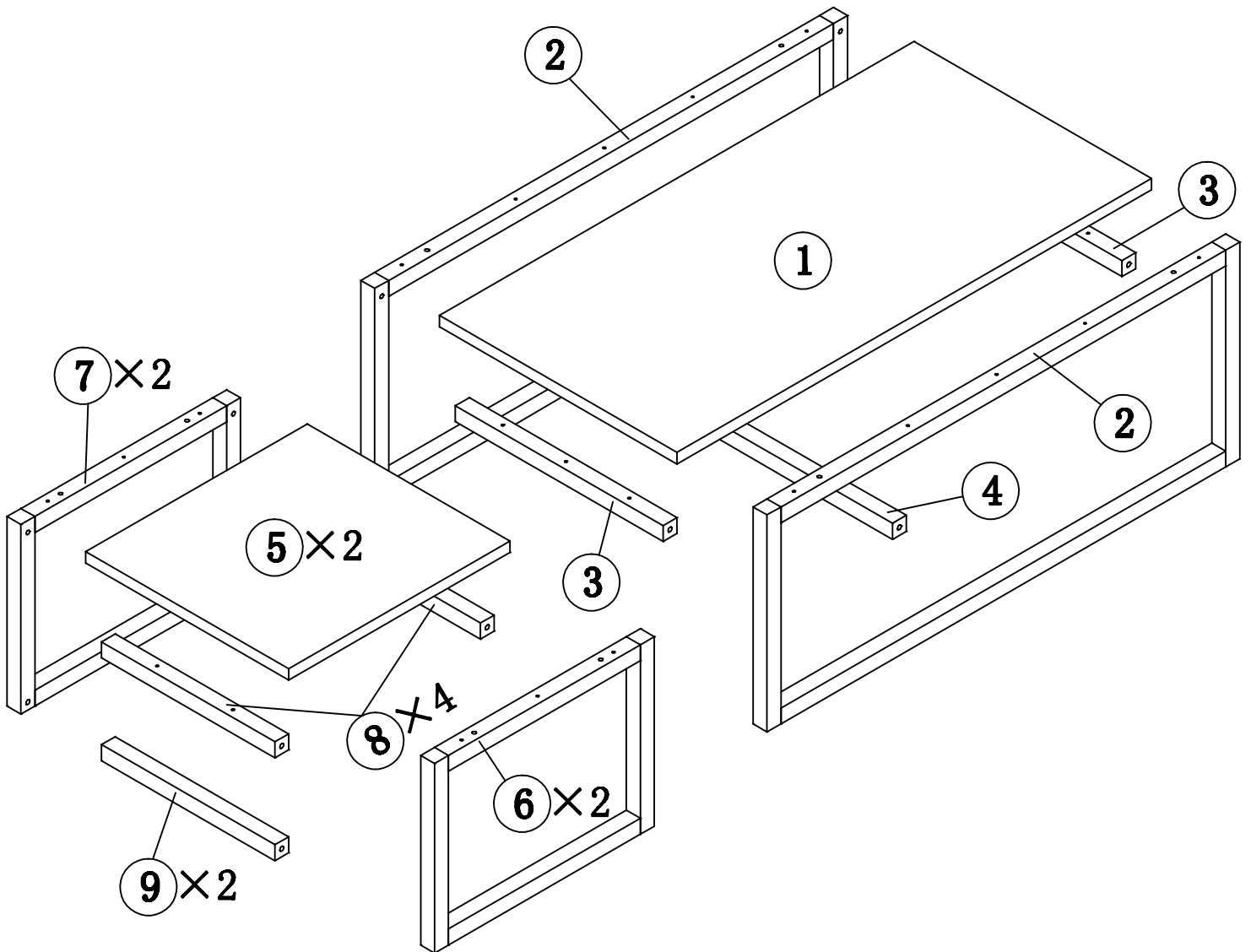







CORNUS



CORNUS

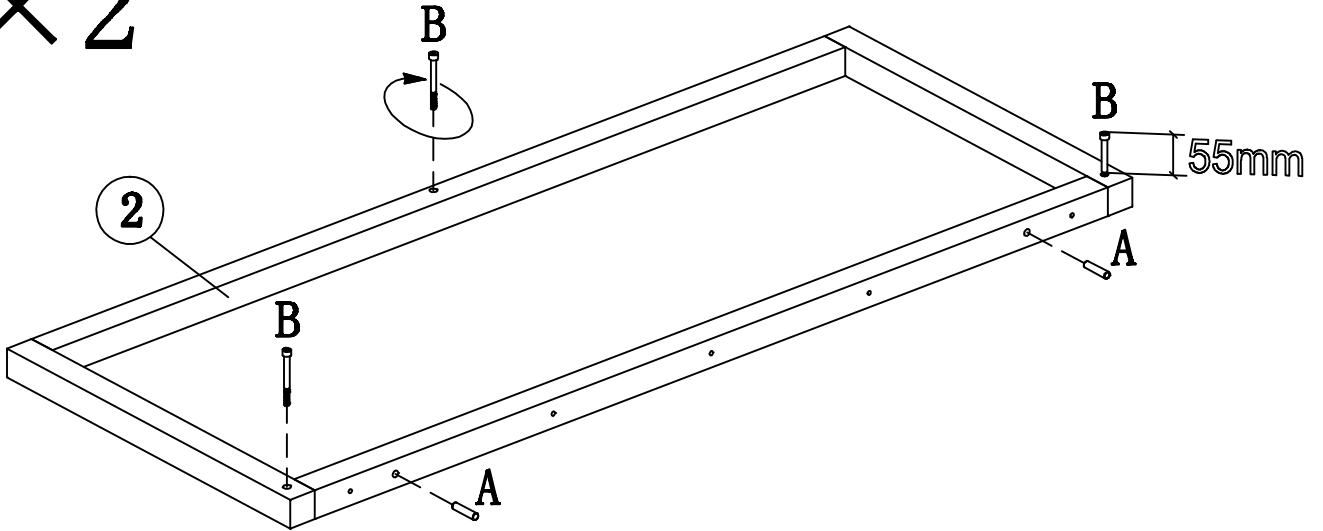


12-A	18-B	18-C	1-D	36-E
				
$\varnothing 8 \times 35\text{mm}$	M6 \times 65mm	17 \times 14 \times 7mm	5mm	$\varnothing 4 \times 38\text{mm}$

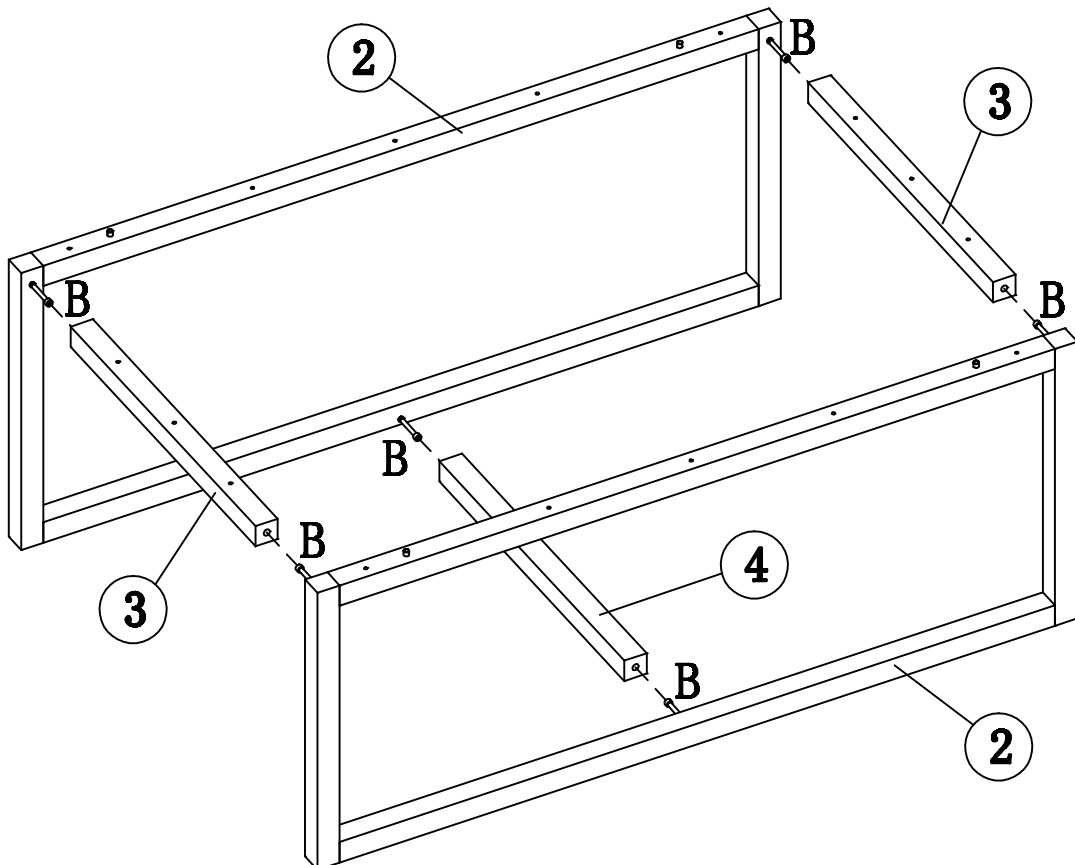
CORNUS

1

× 2

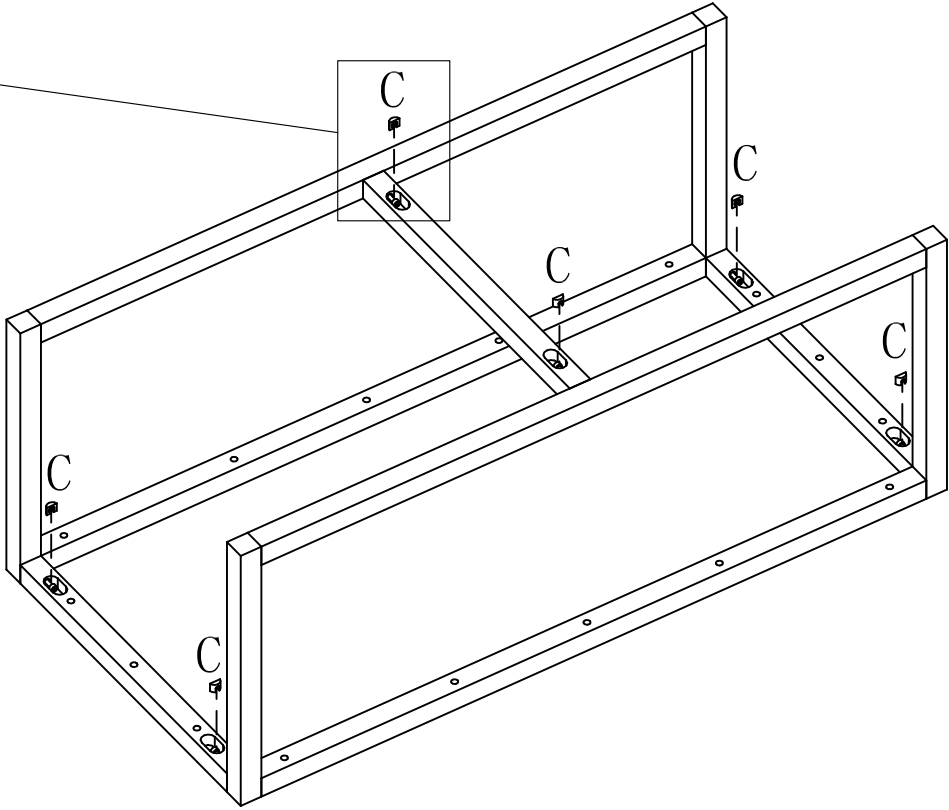
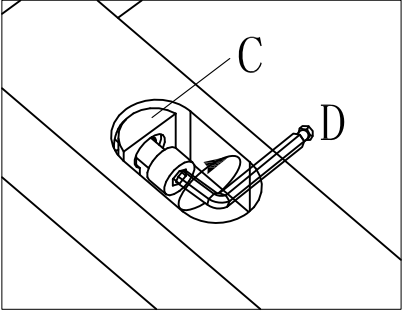


2

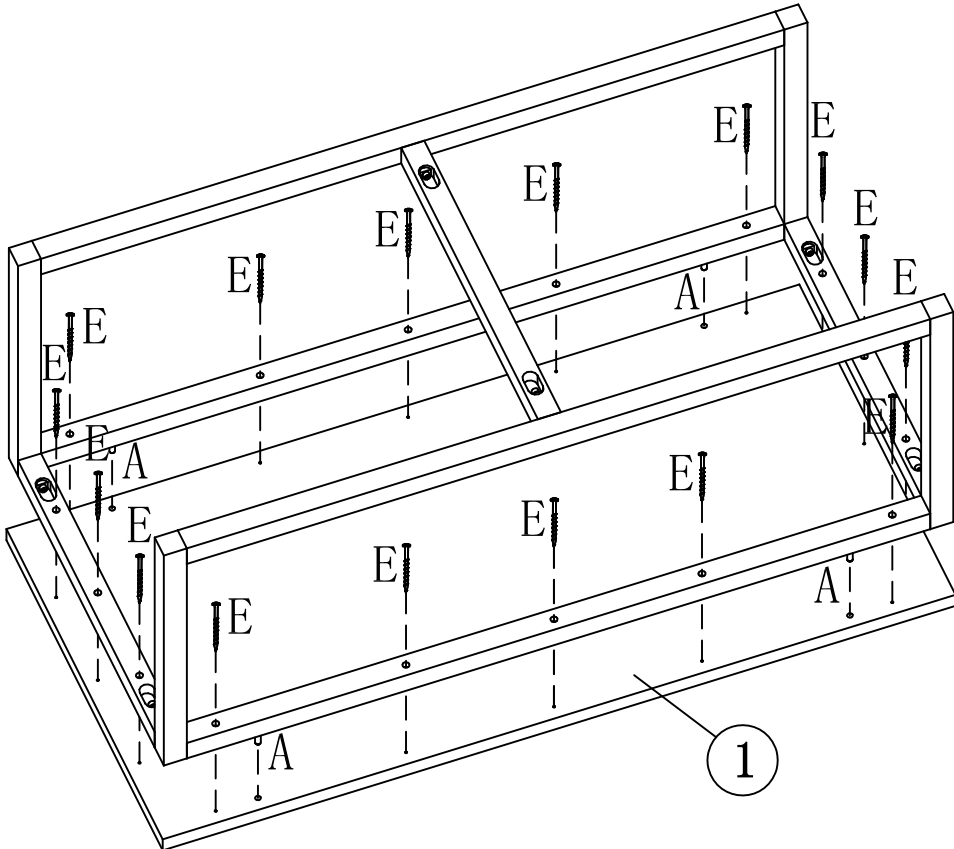


CORNUS

3

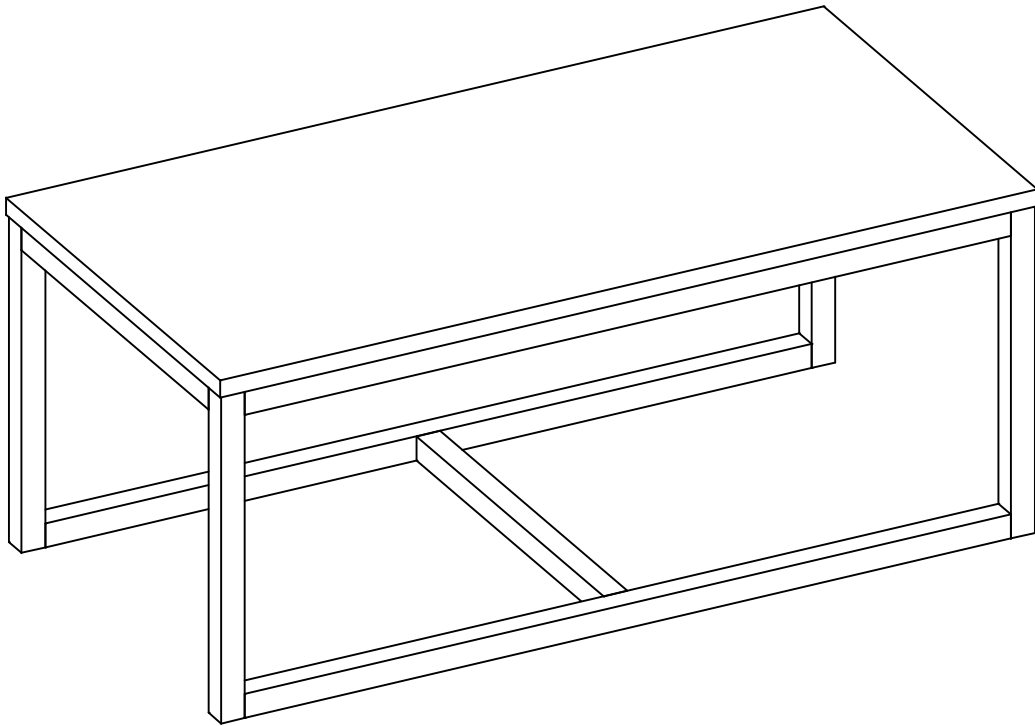


4

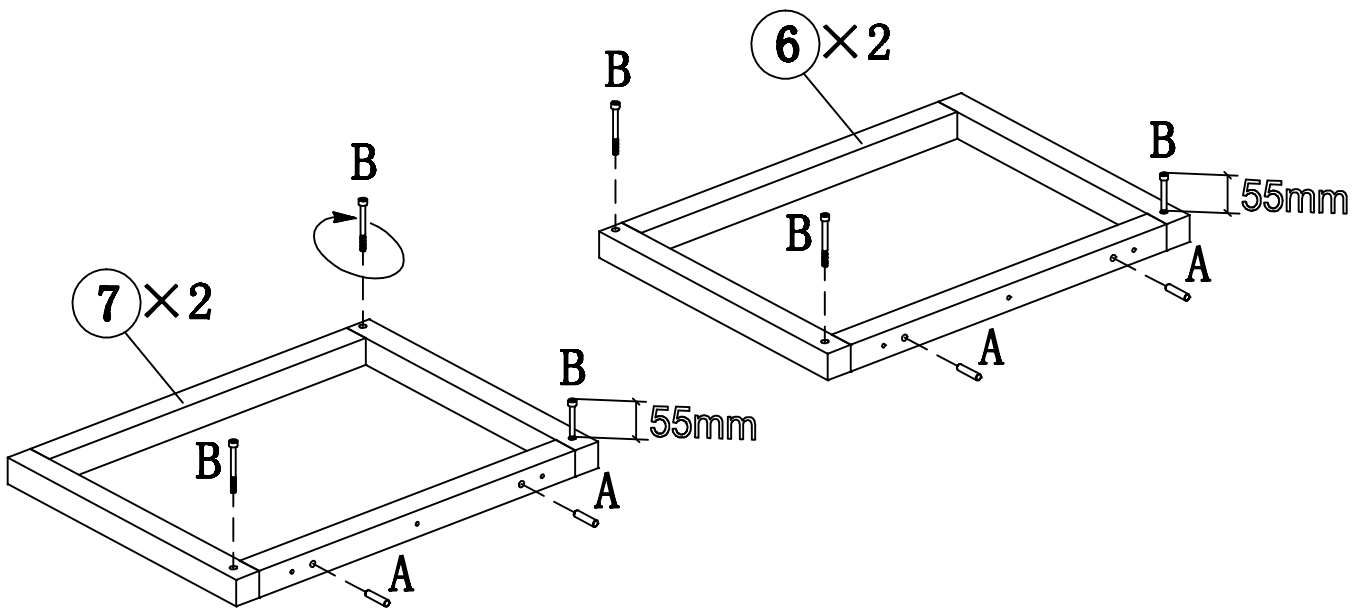


CORNUS

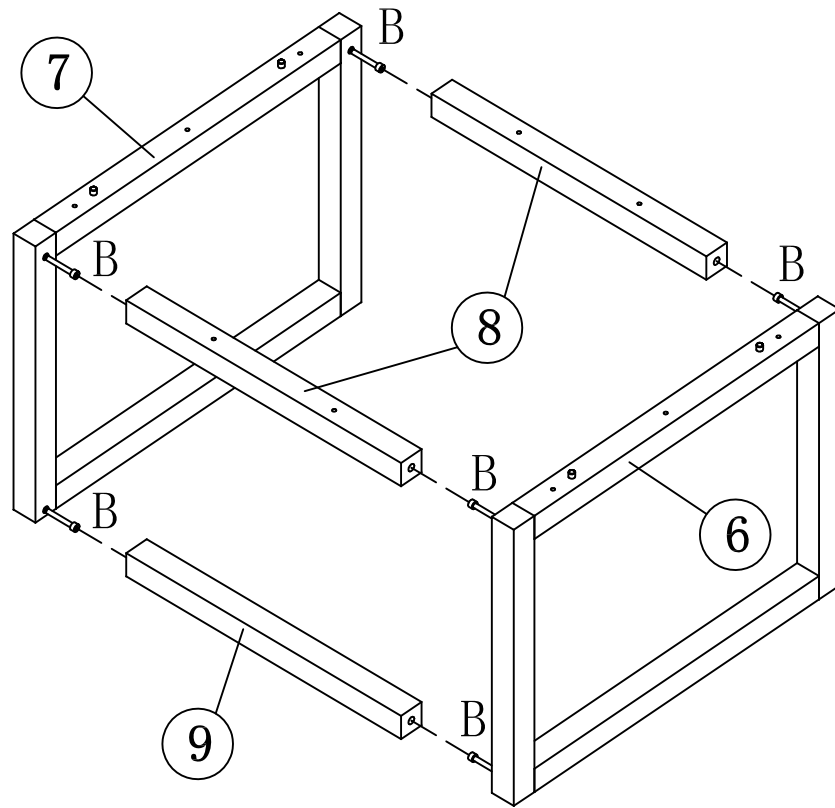
5



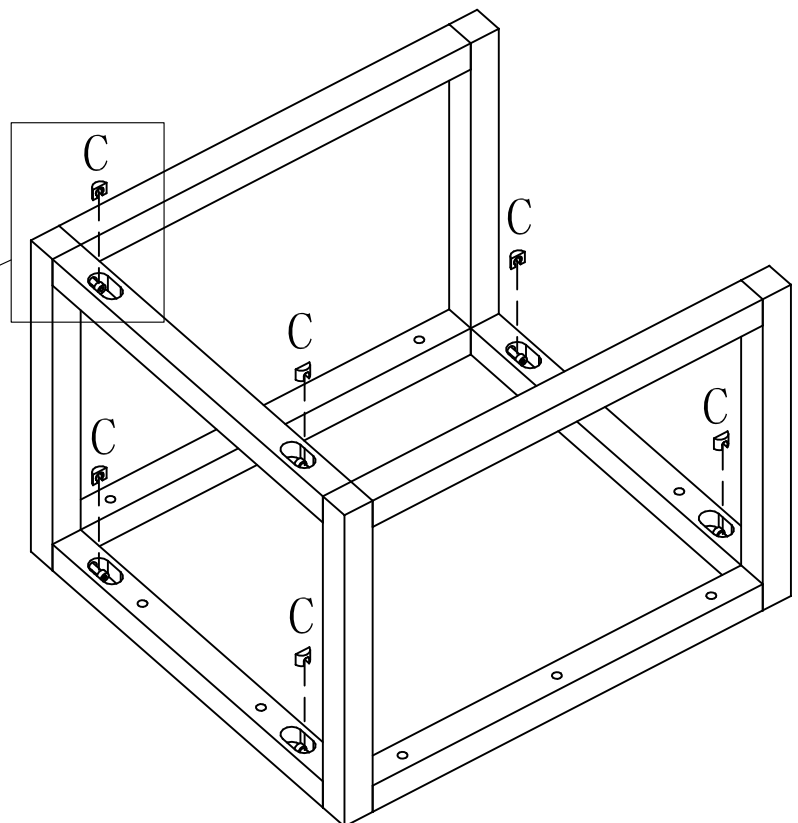
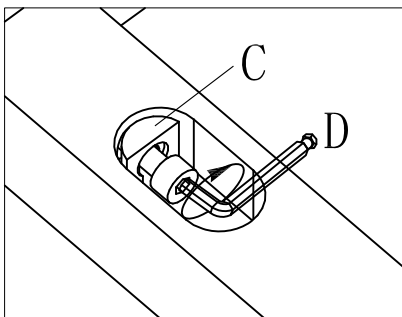
6



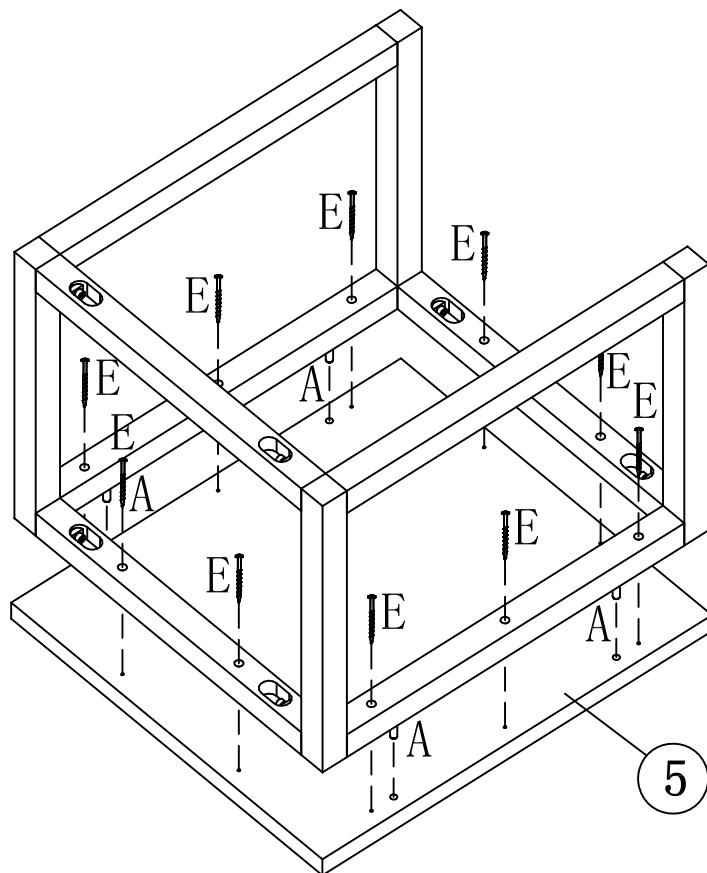
× 2



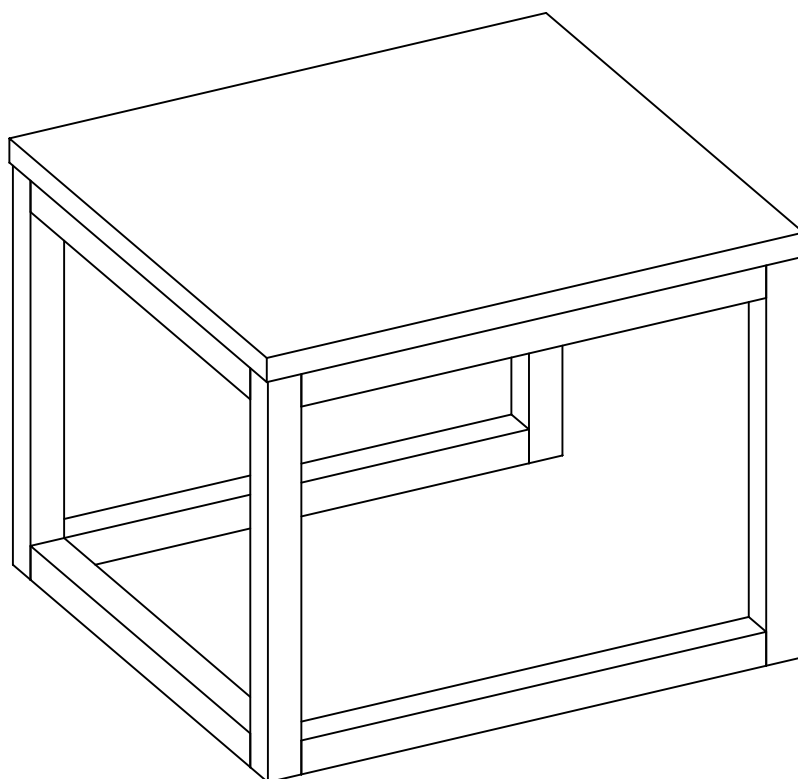
× 2



× 2



× 2



CORNUS

