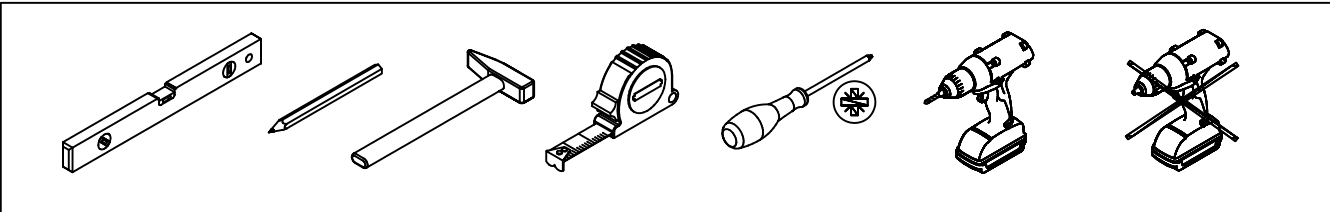
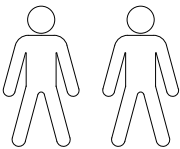
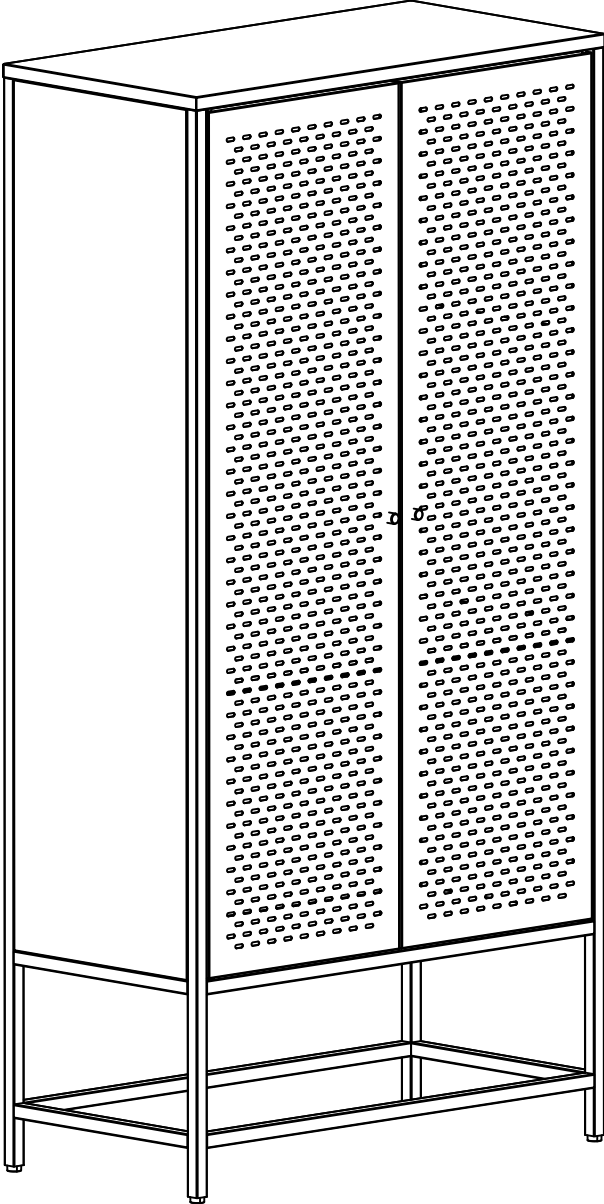
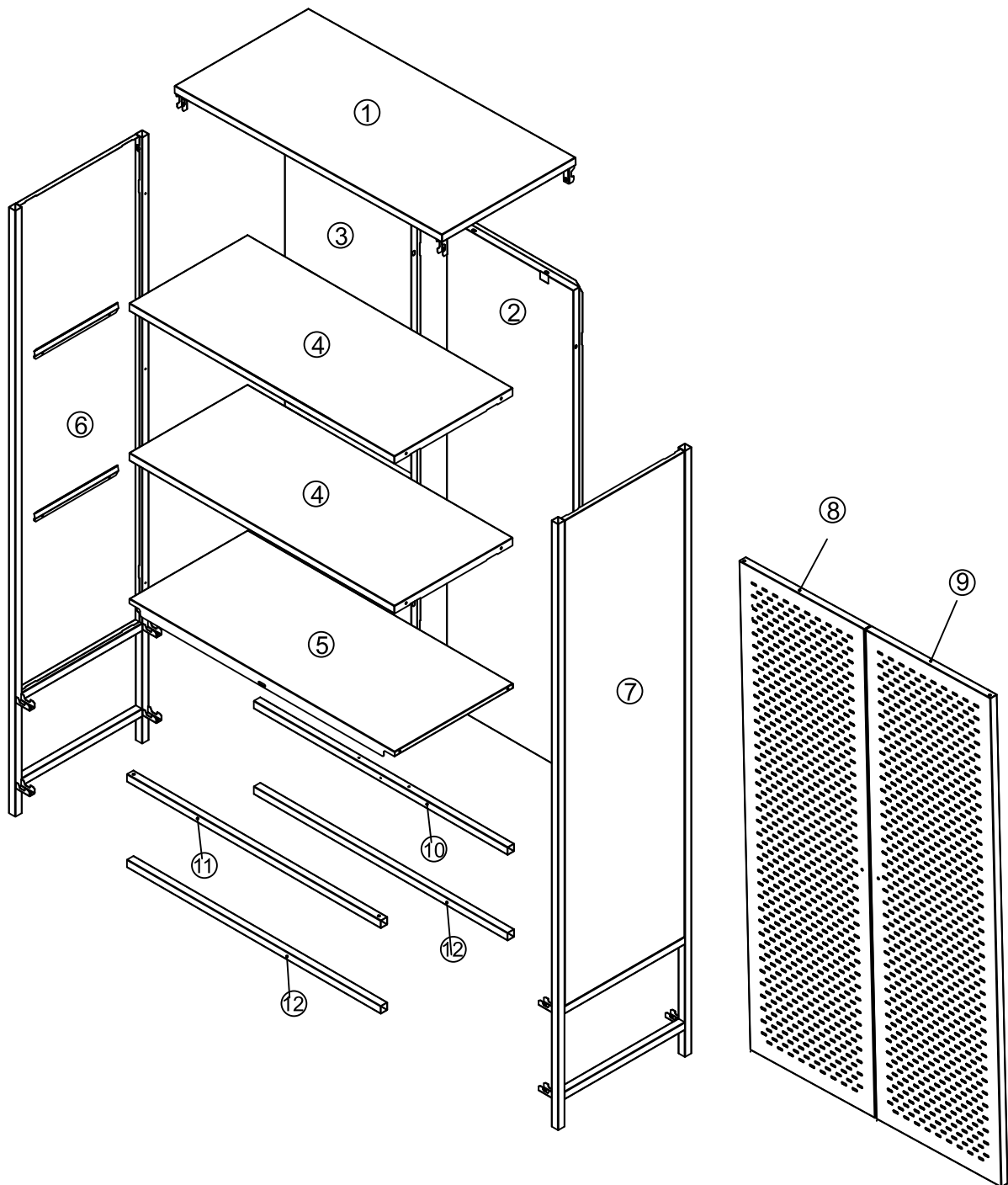



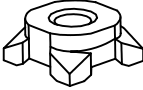
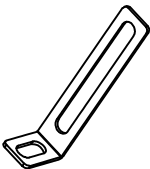

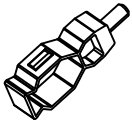
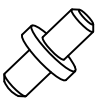





Newcastle high board





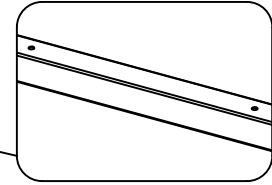
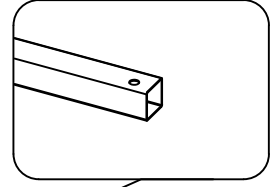
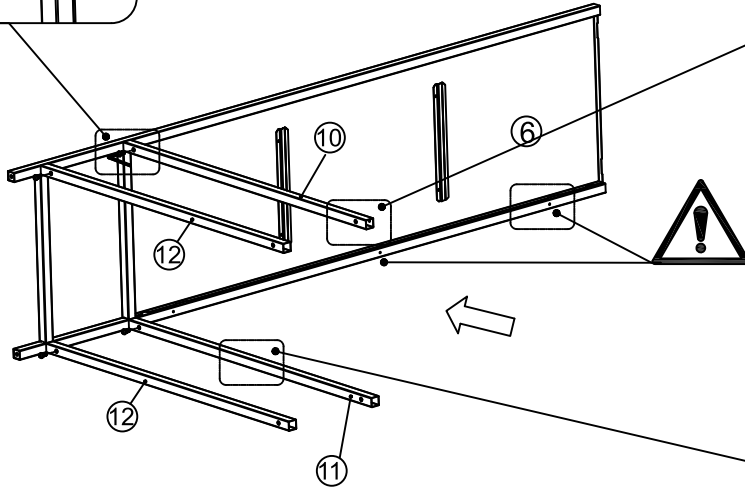
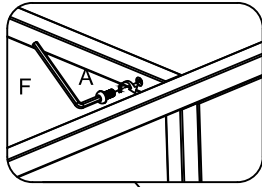
			√				
①	1	802×402×60		⑧	1	1254.5×374.5×20	
②	1	1268×389×18		⑨	1	1254.5×374.5×20	
③	1	1268×399×18		⑩	1	760×20×20	
④	2	795×355×20		⑪	1	760×20×20	
⑤	1	795×355×39.5		⑫	2	760×20×20	
⑥	1	1572×400×60					
⑦	1	1572×400×60					






<p>AX12</p>  <p>M6X12mm</p>	<p>BX12</p>  <p>M4X12mm</p>	<p>CX4</p>  <p>M8X20mm</p>	<p>DX3</p>  <p>M4mm</p>	<p>EX2</p>  <p>75x25x15mm</p>
<p>FX1</p>  <p>4mm</p>	<p>GX2</p>  <p>Ø6×58mm</p>	<p>HX2</p>  <p>Ø6×20mm</p>	<p>JX2</p>  <p>Ø15×20mm</p>	<p>KX5</p>  <p>M4X8mm</p>
<p>LX4</p>  <p>Ø13.5mm/M3.5mm</p>				

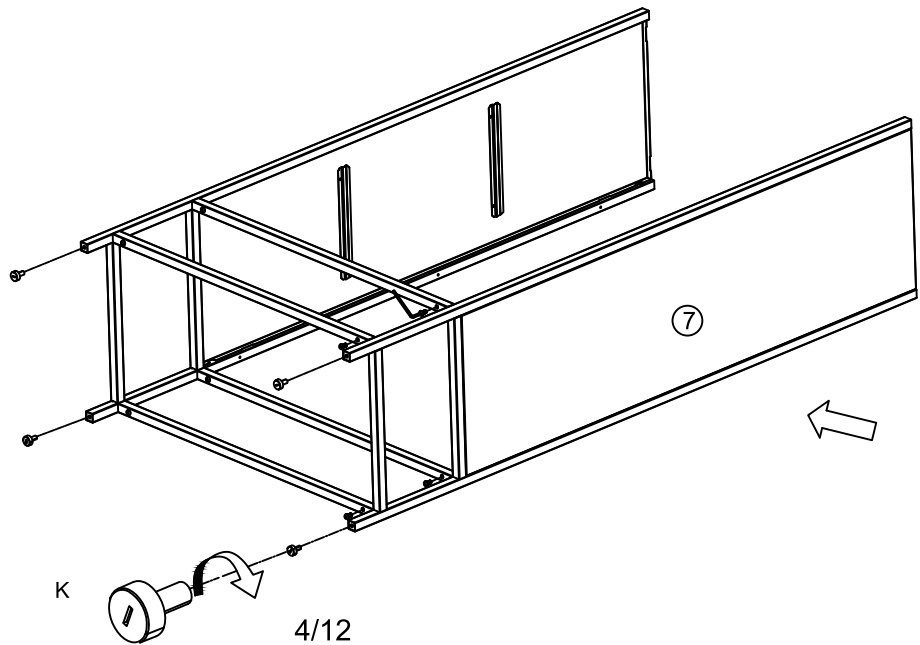
1

AX 4  M6 X 12 mm	FX 1  4mm
---	--





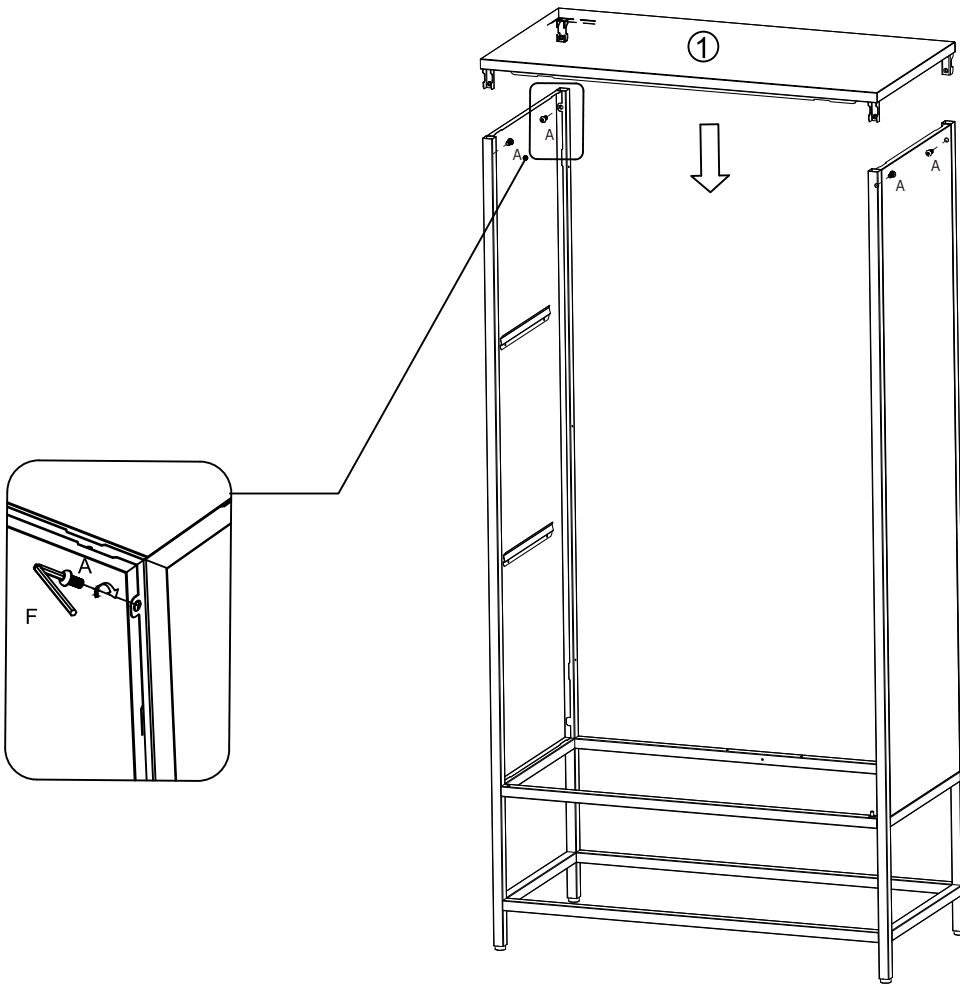
2

AX 4  M6 X 12 mm	FX 1  4mm	CX 4  M8 X 20 mm
---	--	---





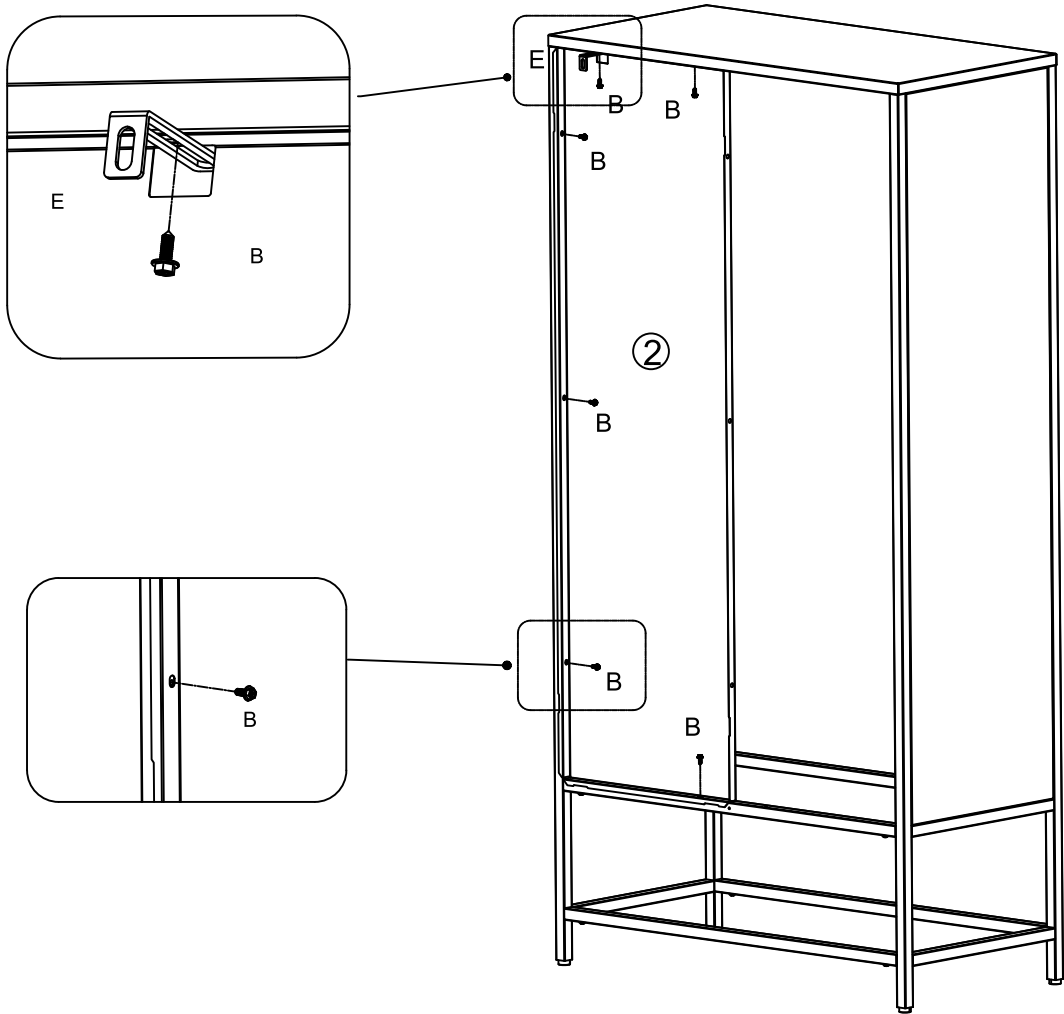
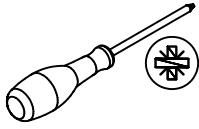
3

AX 4	FX 1
	
M6 X 12 mm	4mm


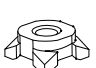





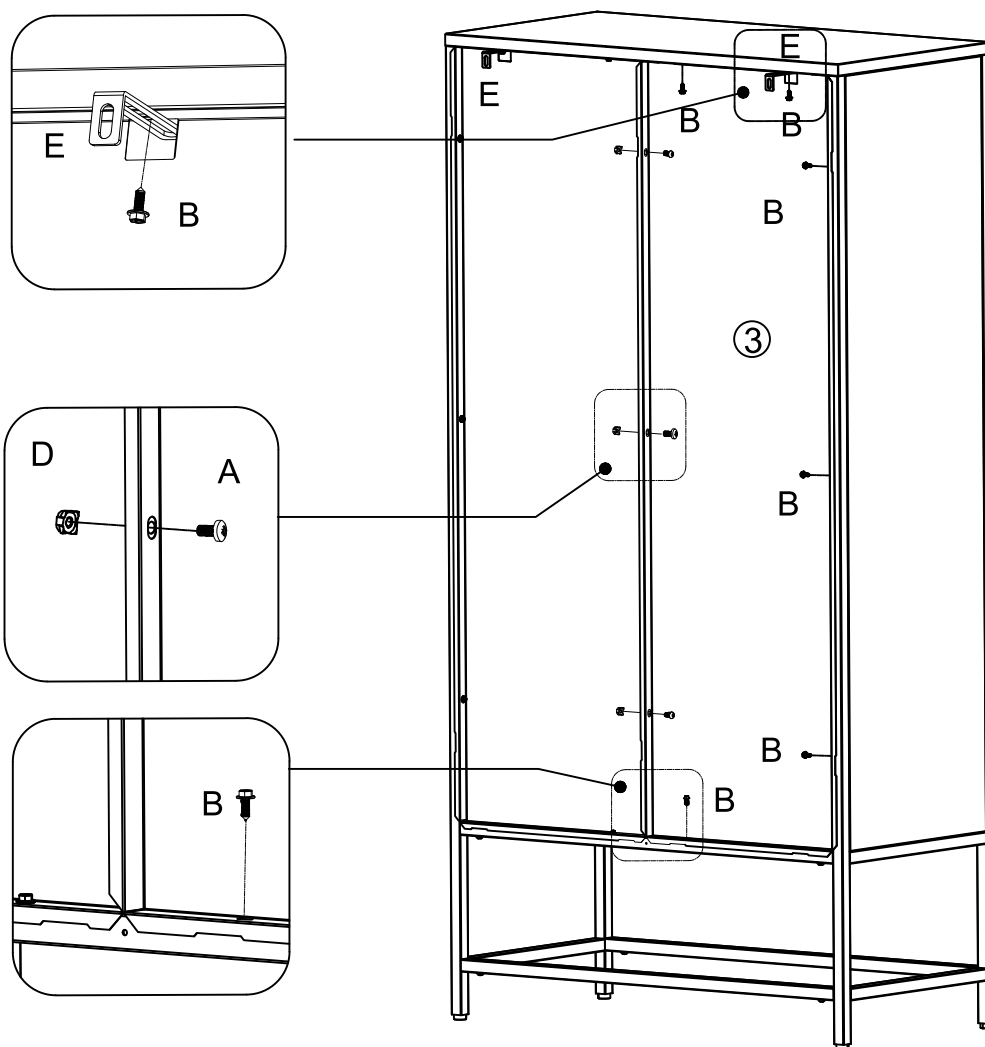
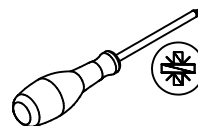
4

B X 6  M4X12mm	E X 1  75x25x15mm
---	--

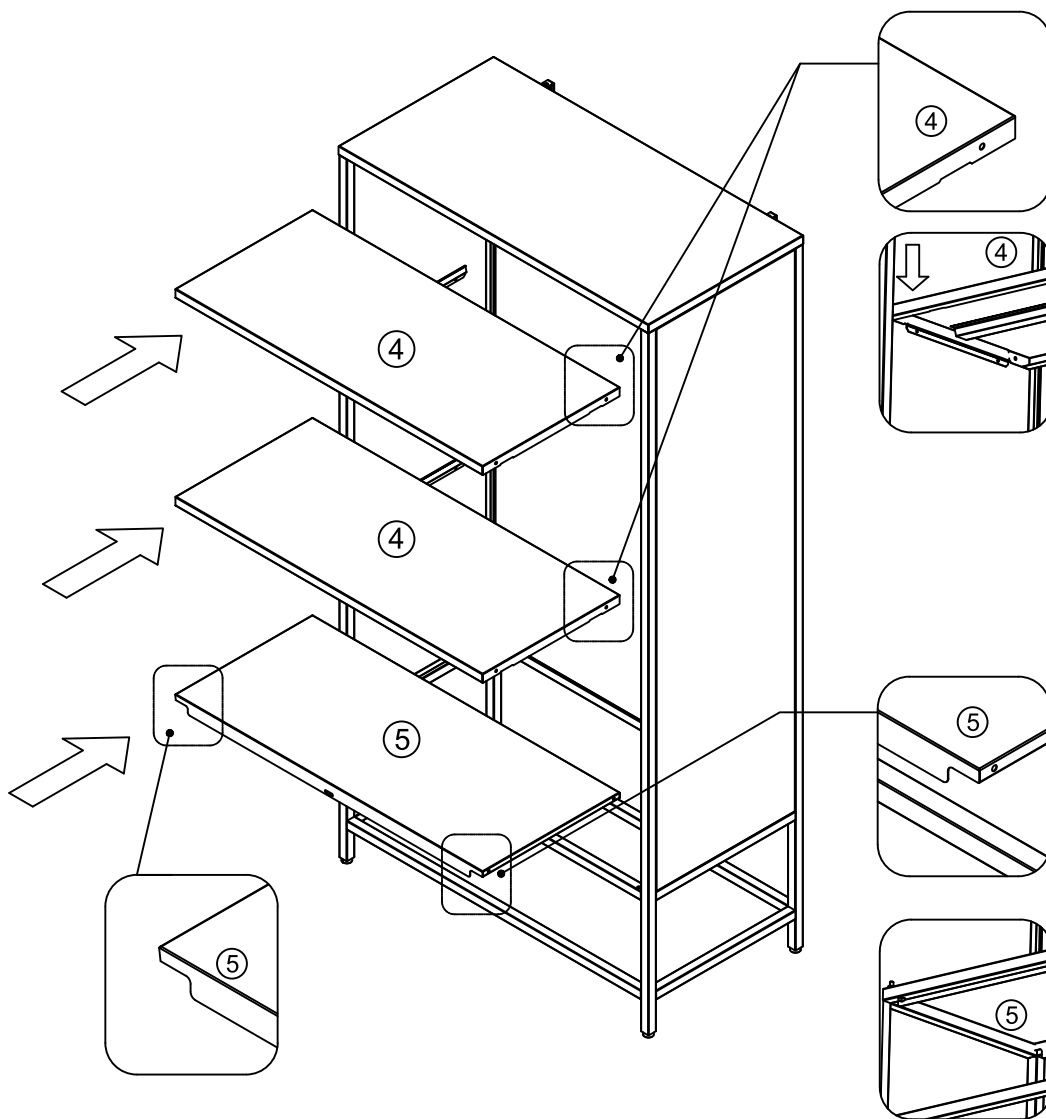


5





B X 6  M4X12mm	DX 3  M4mm	EX 1  75x25x15mm	FX 1  4mm	KX 3  M4X8mm
--	--	--	---	--

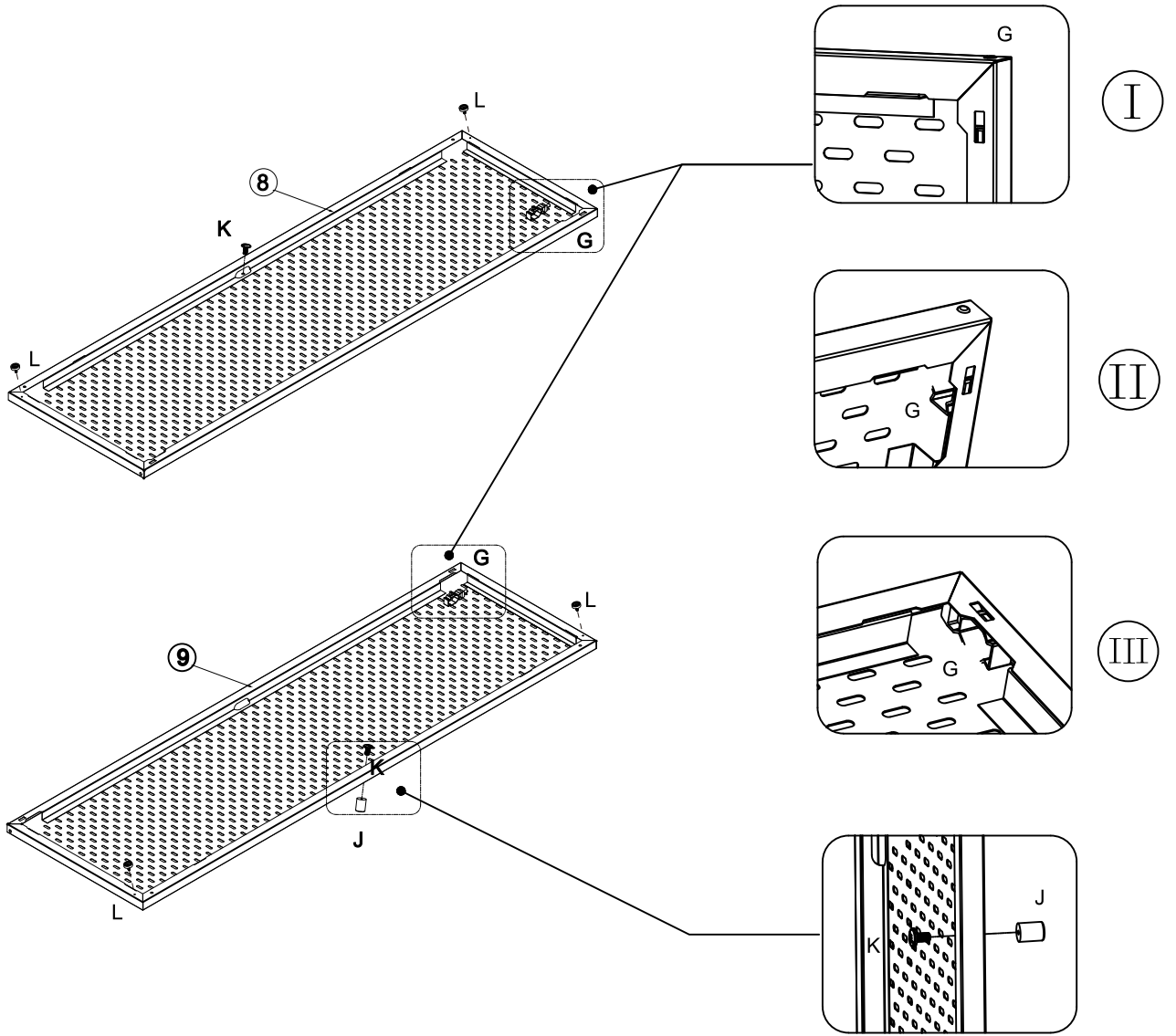
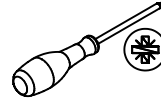


6

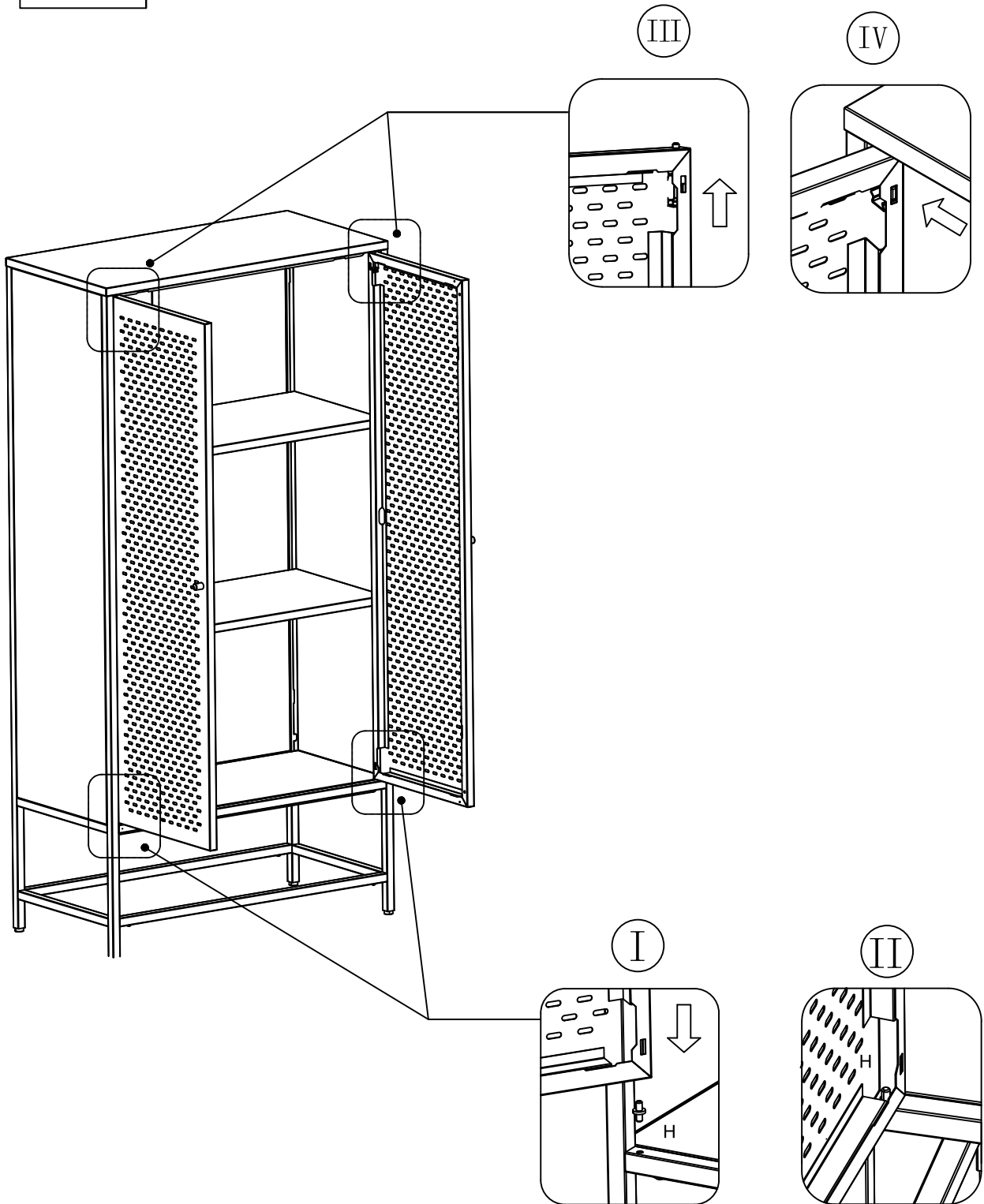
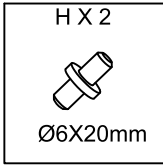


7

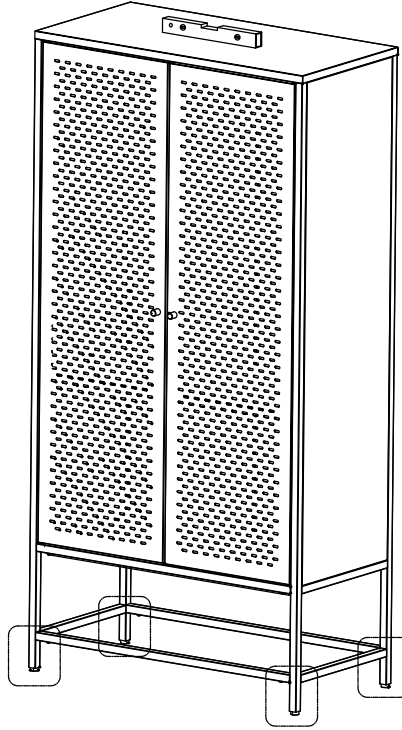
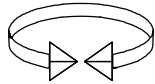
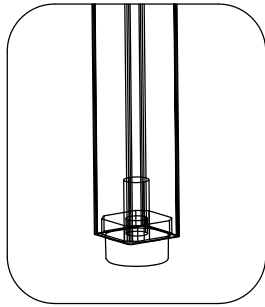
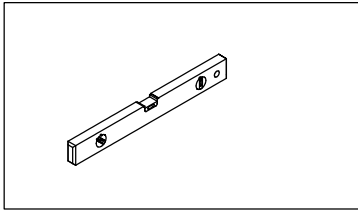
G X 2  Ø6x58mm	J X 2  Ø15x20mm	K X 2  M4x8mm	LX 4  Ø13.5mm/M3.5mm
---	--	--	---



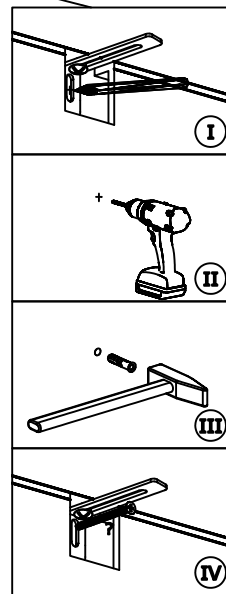
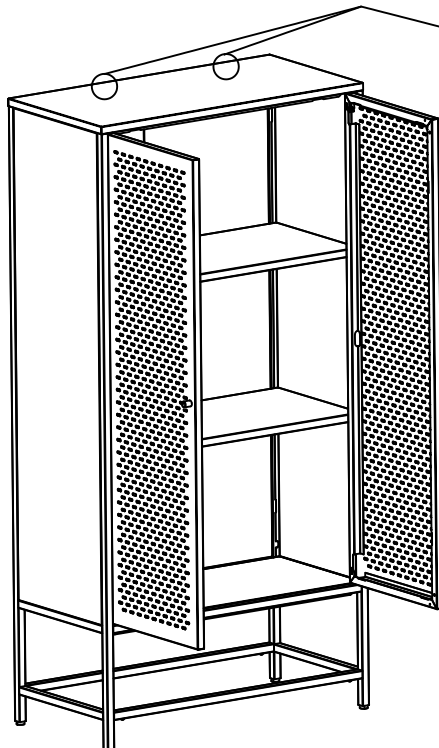
8



9



10



11

